



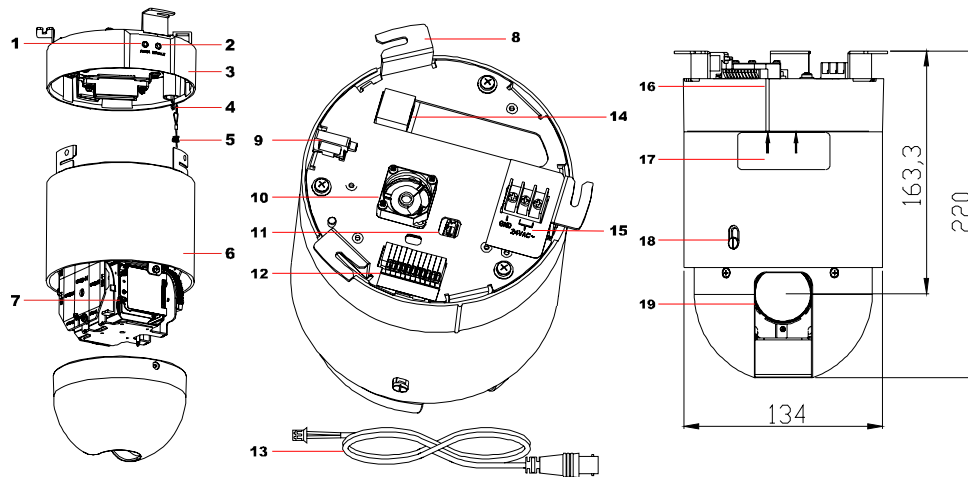
CCMD3025-DN18

3MP Full HD IP High-Speed Dome Camera
H.264, MJPEG



The range of Siemens IP cameras combines the requirements of high resolution and performance. Supporting 3MP, H.264 & MJPEG dual encoding and functionality facilitates the use of the Siemens IP high-speed dome cameras in almost any networking application. The Siemens IP high-speed dome camera is a day/night model with exceptional low-light performance. A mechanically removable IR-cut filter allows the day/night dome camera to provide excellent color picture quality in day mode and IR-sensitive crisp, clear monochrome images at night. A wide range of accessories is available and will meet most installation requirements.

- H.264 & MJPEG dual encoding
- Hybrid video
- CVBS: up to 530 TV lines
- Network: QXGA @ max. 12 fps, 1080P, 720P, 480P, VGA, CIF, QVGA @ max. 25 fps
- Bidirectional monaural audio
- ONVIF protocol support (Streaming Profile S compliant)
- High speed dome camera (pan speed max. 300 °/s)
- D/N models support Wide Dynamic function
- Exceptional low-light sensitivity: 0.5 lux @ B/W (IR-sensitive)
- 18x optical zoom (4.7 – 84.6 mm), 4x digital zoom
- Basic motion detection and tamper alarm
- Support of up to 3 video cropping areas
- Support SDXC up to 128 GB for local alarm recording (16 GB incl.)
- 4 user-definable privacy zones
- Programmable tours and presets
- 4 alarm inputs with AAM function (Advanced Alarm Management)
- Proportional zoom speed
- 24 V AC power supply & PoE+
- Wide range of accessories



Legend

1. Reset button
2. Default button
3. Dome base
4. Hook
5. Safety wire
6. Dome module
7. Micro SD card slot
8. Mounting bracket
9. Video cable holder
10. Fan
11. Video output connector
12. Terminal for audio & alarm in/out
13. Video cable
14. Ethernet RJ45 connector
15. Power terminal
16. Notch for installation
17. Label with arrows
18. Not applicable

■ Technical data

CCMD3025-DN18

Electrical	
Power requirements	AC24V / PoE+ IEEE 802.3at Class 4
Power consumption	24VAC,1150mA,50Hz / POE+,VDC48V,375mA; 18W
Functional	
Pan speed	0.1 - 120°/s
Tilt speed	0.1 – 45 °/s
Preset pan/tilt speed	Pan: max. 300 °/s, Tilt: max. 200 °/s
Speed control	Zoom-proportional: On/Off
Pan travel	360° continuous rotation
Tilt travel	92°
Pan/tilt limits	Pan/tilt limits
Zoom total	72x
Auto flip	On/Off
Optical zoom	18x
Digital zoom	4x
Zoom stop	18x, 36x, 72x
Programmable presets	64
Programmable privacy zones	4
Scan function	Selectable: random, frame or auto-scan
Synchronization	Internal
Alarm inputs	4 (linked to definable functions)
Alarm outputs	1 (NO/NC)
Motion detection	Yes
Object tracking	Not supported
Preset characters	Max. 20

CCMD3025-DN18

Camera	
Image sensor	1/2.8" CMOS
Pixels	2048x1536
Television standard	Selectable: PAL, 625 lines, 50 fields, 25 frames, 2:1 NTSC, 525 lines, 60 fields, 30 frames, 2:1
Signal/noise ratio	>50dB
Horizontal resolution	QXGA(2048x1536), 1080P(1920x1080), 720P(1280x720), D1(NTSC:720x480 / PAL: 720x576), VGA(640x480), CIF(NTSC: 352x240, PAL: 352x288), QVGA(320x240)
Minimum illumination	Color: 0.69 lux @ 50IRE, F1.6 (1/50 s) B/W: 0.48 lux @ 50IRE, F1.6 (1/50 s)
White balance control	Full automatic/manual/indoor/outdoor
Automatic gain control	Auto/Manual
AE compensation	AES/ALC/Manual/Flickerless
EV compensation	-2 ~ +2 (9 Steps)
Back light compensation (BLC)	On/Off
Wide dynamic	Digital WDR
Shutter speed	1/6.25~1/8000
Auto slow shutter	PAL:1/25,1/12.5,1/6.25 system
Focusing system	Automatic sensitivity: normal, Focus
Focus type	Manual, Auto, One Push
Day/night function	Mechanically movable IR-cut filter
Privacy zones	On/Off , 4 zones
Lens	
Focal length	f=4.7 mm(wide) to 84.6 mm(tele)
Angle of view	67.3° (wide end) to 2.4° (tele end)
Maximum relative aperture	F1.6 – F2.8
Network	
Network interface	10BASE-T / 100BASE-TX
Image compression	H.264/MJPEG
Resolution	QXGA(2048x1536): max. 12 / 15 fps, 1080P(1920x1080), 720P(1280x720), D1(720x576), VGA(640x480), CIF(NTSC: 352x240, PAL: 352x288), QVGA: max. 25 / 30 fps
Image quality setting	5 levels
Protocols	IPv4, HTTP, TCP/IP, RTSP, RTP, RTCP, ICMP, UDP, IGMP, NTP, SMTP, FTP, UPnP, DNS, DDNS, DHCP, ARP, SNMP, IPv6, CIFS, NFS, IEC802.1x, Bonjour
Security	Multiple privilege control
Audio	2-way audio, monaural
Alarm memory	Support SDXC up to 128 GB for local alarm recording (4 GB incl.)
Web browser	IE8 / IE9 / IE10, SAFARI, Firefox, Google chrome
Middle-ware	Active-X
Concurrent user	1 Administrator, 100 Users or Advanced Users
ONVIF	ONVIF protocol support (Streaming Profile S compliant)

CCMD3025-DN18

Mechanical / environmental	
Dimensions (Ø x H)	134.0 x 219.9 mm
Weight	2.1 kg
Connectors	Power In : terminal block RJ45 Network : RJ-45 connector Audio in/out : Spring Terminal Alarm In/out : Spring Terminal
Operating temperature	0°C to +50°C (-30 to +50°C with suitable weatherproof housing)
Storage temperature	-20°C to +60°C

■ Details for ordering

Type	Part no.	Designation	Weight
CCMD3025-DN18	S54561-C111-A100	1/2.8" IP High Speed Dome 3MP D/N 18x opt zoom	2.1 kg

The information in this document contains general descriptions of technical options available, which do not always have to be present in individual cases. The required features should therefore be specified in each individual case at the time of closing the contract.

© Siemens AB • Document no. C-300244 • Edition: 04.2014