



CCDA1435-DN

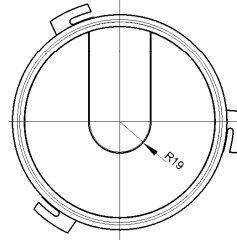
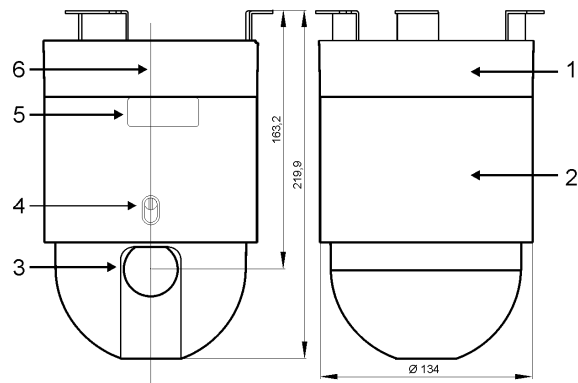
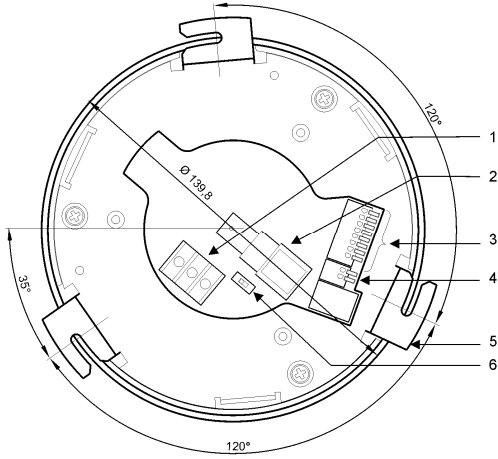
## Day/Night High Speed Dome Camera

- High-speed dome camera (pan speed max. 400°/S)
- High resolution 1/4-inch day/night camera (EX-View CCD)
- Day-night function with mechanical IR cut filter
- High sensitivity (up to 0.01 lux in night mode)
- 18x optical zoom (4.1 – 73.8 mm), 12x digital zoom
- 8 user-definable privacy zones
- Programmable tours and presets
- OSD / remote camera setup
- 20 characters preset titles
- 4 alarm inputs with AAM-function (Advanced Alarm Management)
- Proportional zoom
- Multi-protocols for remote configuration
- Wide range of accessories
- Easy installation
- RoHS-conform

The Siemens high speed dome camera range includes a day-night model with exceptional low-light performance. A mechanically removable IR-cut-filter allows the dome camera to provide good color picture quality in the day mode and IR sensitive monochrome pictures in the night mode. The camera includes market relevant features and is very simple to operate thanks to macro / preset commands that quickly access the dome configuration menus. Setting-up a camera from a remote keyboard has never been easier. A wide range of accessories are available and will meet most installation requirements.

## Dimensions

- 1 = Power terminal (24 V AC)
- 2 = BNC video output
- 3 = Alarm input/output
- 4 = Control input RS485
- 5 = Mounting bracket (3 legs)
- 6 = Bus termination switch (RS485)



- 1 = Dome-Basis
- 2 = Dome-Kamera
- 3 = Objektiv
- 4 = Fixierschraube
- 5 = Fixierungsmarkierung
- 6 = Fixierungsmarkierung

## Technical data

### Operational

Manual pan speed	0.1 – 90°/s 0.1°/s: max. dig. zoom 0.4°/s: max. opt. zoom
Manual tilt speed	0.1 – 45°/s 0.1°/s: max. dig. zoom 0.4°/s: max. opt. zoom
Preset pan/tilt speed	pan: max. 400°/s tilt: max. 200°/s
Speed control	zoom-proportional: on/off
Pan range	360° continuous rotation
Tilt range	85° indoor; 92° outdoor
Pan/tilt limits	user-definable
Total zoom	216 x
Auto Flip	on / off
Optical zoom	18 x
Digital zoom	12 x
Zoom stop	18 x, 36 x, 72 x, 144 x, 216 x
Programmable presets	64
Programmable tours	4
Programmable privacy zones	8
Scan function	random, frame and auto-scan selectable
Synchronisation	internal: crystal external: Line-Lock; phase adjustable
Alarm inputs	4 (linked to definable Function, AAM)
Alarm outputs	1 (NO / NC)
OSD menu languages	English
Preset titles	max. 20 characters / preset
Password protection	alphanumeric Dome OSD setup protection

<b>Camera</b>	
Image sensor	¼-inch Ex-View CCD
Effective pixels	752 (H) x 582 (V)
Scanning system	PAL, 625 lines, 50 fields/s, 50 Hz (vertically), 15,625 Hz (horizontally)
Video output	CVBS: 1.0 Vpp, 75 Ohm
Signal-to-noise	> 50 dB (typical)
Horizontal resolution	480 lines
Minimum illumination	0.7 lux (F1.4, 1/50 s) 0.01 lux (F1.4, 1/3 s, night mode)
White balance	ATW (2000 – 10,000 °K), auto (3000 – 7500 °K); one push
Gain	AGC
AE compensation	auto, manual, BLC
EV compensation	-10.5 – +10.5 dB
Back light compensation	BLC on / off
Electronic shutter	auto: 1/1 – 1/10,000 s manual: 22 steps
Auto slow shutter	on / off (max. 1.0 s)
Focusing system	auto (sensitivity: normal, low)
Focus	auto / manual
Day/night function	Mechanical IR cut filter, auto / off
Privacy zones	8 areas user-definable
<b>Lens</b>	
Focal length	4.1 – 73.8 mm
Angle of view	approx. 48 – 2.7°
Aperture	F1.4 – F3.0
<b>Remote control</b>	
Stop time	1 – 120 s
Interface	RS485 (2-wire)
Data rate	2400, 4800, 9600, 19200; DIP-switch selectable
Protocols*	SIEMENS, PELCO-D/P, VCL, KALATEL, ERNITEC, SENSOMATIC RS485, MONLYNX-D, DIP-switch selectable
<b>Mechanical / environmental</b>	
Dimensions (Ø x H)	134 mm x 219.9 mm
Weight	1.75 kg
Operating temperature	0 – 50 °C
Storage temperature	-20 – +60 °C
<b>Electrical</b>	
Input voltage	24 V AC ±10%, 50 Hz
Power consumption	20 VA

\* Note: 3<sup>rd</sup> party protocols may be subject to changes without notice.

## Details for ordering

---

Type	Part No.	Designation	Weight
CCDA1435-DN	2GF1193-8AC	¼-inch CCD Day/Night High Speed Dome Camera, 18 x zoom, 480 TVL, PAL, 24 V AC	1.75 kg

---

## Accessories

---

Type	Part No.	Designation	Weight
CCDA1425-WPH	2GF1192-8BA	Weatherproof outdoor housing	4.0 kg
CCDA1425-SM	2GF1192-8BB	Ceiling surface mount (indoor)	1.2 kg
CCDA1425-FM	2GF1192-8BC	Ceiling flush mount (indoor)	1.4 kg
CCDA1425-PMA	2GF1192-8BD	Pole mount adapter	0.8 kg
CCDA1425-WM	2GF1192-8BE	Wall mount	3.4 kg
CCDA1425-WMJ	2GF1192-8BF	Wall mount with junction box	4.8 kg
CCDA1425-PM	2GF1192-8BG	Pendant mount	3.0 kg
CCDA1425-CMA	2GF1192-8BH	Corner mount adapter	1.0 kg
CCDA1425-EP	2GF1192-8BJ	Extension pole	1.0 kg
CCDA1425-FMSB	2GF1192-8BK	Tinted/smoked bubble for CCDA1425-FM	0.3 kg
CCDA1425-SMSB	2GF1192-8BL	Tinted/smoked bubble for CCDA1425-SM	0.2 kg
CCDA1425-WPHSB	2GF1192-8BM	Tinted/smoked bubble for CCDA1425-WPH	0.6 kg
CCDA1425-WMI	2GF1192-8BQ	Wall mount (indoor)	1.3 kg
CCDA1425-PMI	2GF1192-8BN	Pendant mount adapter (indoor)	0.6 kg
CCDA-IDPS	2GF1191-8BA	Indoor power supply 24 V AC	1.9 kg
CCDA-ODPS	2GF1191-8CA	Junction box with power supply 24 VAC	6.3 kg

---