

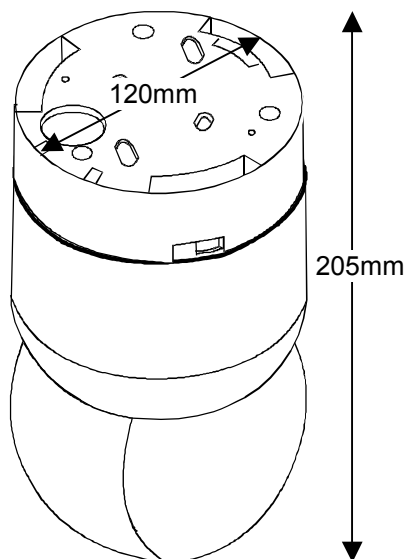


Day-night functional dome camera CCDA1415-DN

- High speed dome camera system
- High resolution 1/4" camera
- Day-night function with IR cut filter
- High sensitivity (to 0.03 Lux)
- Wide Dynamic Range
- 23X Optical zoom
- Programmable privacy zones
- Programmable patterns and presets
- Direction and azimuth indication with naming
- Alarm inputs
- Wide range of accessories
- Remote camera setup
- Easy installation

The CCDA1415-DN Day-night dome system brings a new dimension of feature functionality to the Siemens product range. Incorporating the latest cutting edge features, the CCDA1415-DN performs well in areas where there is poor lighting. The direction indicators and on screen text will help ensure that operators do not lose their orientation. Utilising the latest generation digital signal processing, the camera provides enhanced clarity, colour and detail. This leading product is complimented and supported by a complete range of accessories that make the dome system ideal for any application.

Dimensions



Technical data

Operational

Pan/Tilt: Manual Pan and Tilt speed	1°-100° per second (scaled to zoom position)
Preset Pan/Tilt speed	max. 220° per second
Pan Travel	360° continuous rotation
Tilt Travel	105°
Pan/Tilt accuracy	± 0.5°
Zoom/Focus Accuracy	± 0.5%
Total Zoom	184X
Optical Zoom	23X
Digital Zoom	8X
Zoom Pause	23X or 35X (default zoom pause)
Zoom Stop	23X, 35X (default zoom pause), 46X, 69X, 92X (default), 115X, 138X, 161X, 184X
Programmable Presets	96
Programmable Patterns	3
Programmable Areas	16
Programmable Privacy Zones	8
Direction Indicators	Yes
Synchronisation	Line Lock and Internal Sync. Generator
Alarm Inputs	Standard = 1 (with optional Quick Mount Base = 4)
Alarm Outputs	Standard = 1 (with optional Quick Mount Base = 4)
Menu Languages	English, French, German, Italian, Spanish, Portuguese

Electrical

Input voltage	24 to 30 VAC, 50/60 Hz class 2 LPS
Design tolerance	20 to 36 VAC, 50/60 Hz
Power consumption	16 Watt
Current	1.5 Amp

Surge protection

Video output	Series resistor of 3.9 Ohm. Low capacitance Zener suppressor 6.5 V, 1500 Watt
Siemens RS422/RS485 Interface	Series resistor of 33 Ohm; TVS rated at 5.6V, 40A, 0.1 joules

SensorNet RS485 interface	Isolation transformer coupled. 2000Vrms PTC resettable fuse protects transformer. TVS RATED AT5.6V 40A, 0.1 joules; 10kA impulse rated gas tube
Alarm Input	Series resistor of 33 Ohm; TVS rated at 5.6V, 40A, 0.1 joules
Power Line	TVS rated at 60V, 250A, 1.5 Joule

Camera

Imager	¼ inch CCD
Scanning System	2:1 Interlace
Video Output	1.0 Vpp. 75 Ohm composite
Signal to Noise	50 dB (typical)
Horizontal Resolution	470 lines at centre
Minimum Illumination	>1.0 Lux (@20 IRE. AGC on) 0.5 Lux with open shutter 0.01 Lux in black and white IR mode 0.009 Lux in black and white mode with open shutter
White Balance	Through the Lens (TTL) Auto tracing White Balance (ATW)
PAL	Effective pixels 752 (H) x 582 (V)
Scanning	625 lines 50 Fields 25 Frames
Horizontal	15.625 kHz.
Vertical	50 Hz

Lens

Type	Aspherical
Focal Length	3.6 to 82.8 mm
Aperture	F1.6 (Wide) F3.7 (Tele) 4 mm 54.0° (H) x 40.5° (V) 88 mm 2.5° (H) x 1.9° (V)

Mechanical

Dimensions (D x H)	120mm x 205mm
Weight	Housing and ball assembly 1.18 kg Base (standard) 0.09 kg Base (with I/O board) 0.16 kg

Details for ordering

Type	Part no	Designation	Weight
CCDA1415-DN	2GF1191-8AA	¼" CCD day-night speed dome 470 TVL, 0.01 Lux 24VAC	2.4 kg

Accessories

Type	Part no	Designation	Weight
CCDA-IDPS	2GF1191-8BA	Power supply unit. indoor 110/230 VAC primary; 24 VAC/2 W secondary	1.95 kg
CCDA-QM	2GF1191-8BC	Quick Mount I/O board base for CCDA1415-DN. with 4 alarm inputs	0.35 kg
CCDA-THM	2GF1191-8BD	Top Hat ceiling mount housing for installation of DOME CCDA1415-DN in a ceiling	1.0 kg
CCDA-THTB	2GF1191-8BE	Tinted/Smoked bubble for DOME CCDA1415-DN in conjunction with the top hat housing. incl. trim ring	0.5 kg

CCDA-THCB	2GF1191-8BF	Clear bubble for DOME CCDA1415-DN in conjunction with the top hat housing, incl. trim ring	0.5 kg
CCDA-ACM	2GF1191-8BG	Adjustable Ceiling Mount bracket Mounting support for installation of the DOME CCDA1415-DN in a suspended grid ceiling in conjunction with the top hat housing; adjustable length	2.0 kg
CCDA-FCM	CCDA-ACM	Fixed Ceiling Mount bracket Mounting support for installation of the DOME CCDA1415-DN in a suspended grid ceiling in conjunction with the top hat housing fixed length	1.4 kg
CCDA-HCM	2GF1191-8BJ	Hard Ceiling Mount bracket Mounting support for installation of the DOME CCDA1415-DN a suspended ceiling in conjunction with the top hat housing	2.0 kg
CCDA-IDPM	2GF1191-8BK	Indoor Pendant Mount for separate installation of the DOME CCDA1415-DN indoors. (1¼-inch pipe not included)	1.9 kg
CCDA-IDWM	2GF1191-8BL	Indoor Wall Mount. for installation of the DOME CCDA1415-DN on a wall indoors	1.4 kg
CCDA-SWM	2GF1191-8BM	Short Wall Mount for installation of Weather Proof outdoor housing CCDA-WPH (2GF1191-8BS) and CCDA1415-DN on a wall. Normally used outdoors but can be used indoors	1.85 kg
CCDA-LWM	2GF1191-8BN	Long Wall Mount for installation of Weather Proof outdoor housing CCDA-WPH (2GF1191-8BS) and CCDA1415-DN on a wall. Normally used outdoors but can be used indoors	2.0 kg
CCDA-ODPM	2GF1191-8BP	Outdoor Pendant Mount for remote installation of Weather Proof outdoor housing CCDA-WPH (2GF1191-8BS) and CCDA1415-DN on an overhead structure. Normally used outdoors but can be used indoors. (1¼-inch pipe not included)	1.9 kg
CCDA-MBA	2GF1191-8BQ	Mast/Pole Bracket Adapter. for installation of the SIEMENS DOME CCDA1415-DN on a pole, with the wall mounts CCDA-SWM or CCDA-LWM	1.0 kg
CCDA-CBA	2GF1191-8BR	Corner Bracket Adapter for installation of the SIEMENS DOME CCDA1415-DN on/in a corner, with the wall mounts: CCDA-SWM or CCDA-LWM	1.2 kg
CCDA-WPH	2GF1191-8BS	Weather Proof Housing for installation of the Siemens DAY-NIGHT DOME CCDA1415-DN. Incl. Heater, clear bubble	3.9 kg
CCDA-WPTB	2GF1191-8BT	Tinted/Smoked bubble for weatherproof housing as replacement for clear bubble of outdoor housing	0.75 kg