



AR6543-RX, AR6543-MT

Access Control

Card reader

Access control and time recording for contact less reading technologies in 125 kHz and 13.56 MHz frequency

- **For Access Control and Time Recording application**
- **Vacuum-Fluorescent-Display**
- **4 Digital inputs, 1 Relay output**

The card reader types AR6543-RX/-MT are part of the Prestige series in the new Access reader design.

The readers are designed for access control and time recording applications.

A 2x20 digit Vacuum-Fluorescent-Display allows to display date and time, booking reason as well as user specific information (such as time balances, text messages etc.). In addition the reader is equipped with 9 function keys and a keypad for PIN-code entry.

The Prestige readers are available equipped with reading modules for contact less standard technologies in 125 kHz (Miro, CerPass Proximity, Hitag 1 and Hitag 2) and 13.56 MHz frequency (ISO14443A - Mifare® and my-id proximity).



Industrie Forum Design, Hannover
IF Design Award Winner 2001



AR6543-RX/-MT card reader for contact less reading technologies (125kHz und 13,56MHz)

- Card reader for access control and time recording
- Designed for the access control and time recording systems SIPOrt NT Access / Time-Recording / Time-Rec.-SAP and SIPOrt NT Light
- 2x20 digits Vacuum-Fluorescent-Display for displaying of date/time, booking reason or user specific information (such as time balances or messages)
- 5 function keys for standard functions (e.g. coming / leaving etc.)
- 4 freely programmable function keys, each of them capable of 8 different functions (e.g. special absence reasons, extended time balances)
- Extensive parameterisation possibilities for badge data, card formats, PIN, display messages etc.
- Reader firmware can be downloaded from the SIPOrt system via reader LAN interface
- For connection to the door control units DC2000, K24 and AC4000, data transmission via RS485-party-line (2 wire), pluggable termination resistor
- BPA9+ -reader protocol (reader address 1 to 4)
- Voltage supply via power supply unit of door controller
- Sabotage contact
- "Touch and Go" operation

AR6543-RX (125kHz)

- 125 kHz technology
- Reading of unique ID number of contact less Miro, Hitag1 and Hitag2 cards as well as the code of CerPass Proximity cards
- Reading of personalised ID-number of Hitag1 and Hitag2 cards (Hitag2 is always operated in password mode)
- Reading distance up to 7 cm, depending on installation surroundings¹

AR6543-MT (13,56MHz: ISO14443A)

- 13,56 MHz technology
- Reading of unique ID-number of contact less ISO14443A - Mifare® and my-id proximity (SLE55R04, SLE55R16) cards
- Reading of personalised ID-number of Mifare® (data in sector/blocks of the Mifare® chip) and my-id proximity cards (SLE55R04, SLE55R16; data in public data blocks)
- Reading distance up to 5 cm, depending on installation surroundings¹

Compatibility

By use of the reader interface RS-485 with BPA9+ reader protocol.

	CerPass CC30xx	SiPass DRI	SIPOrt		
			DC2000	AC4000	K24
AR6543-RX	-		✓	✓	✓
AR6543-MT					

¹ Depending of the used transponders (size, assembly) a decrease of the reader's range is possible.

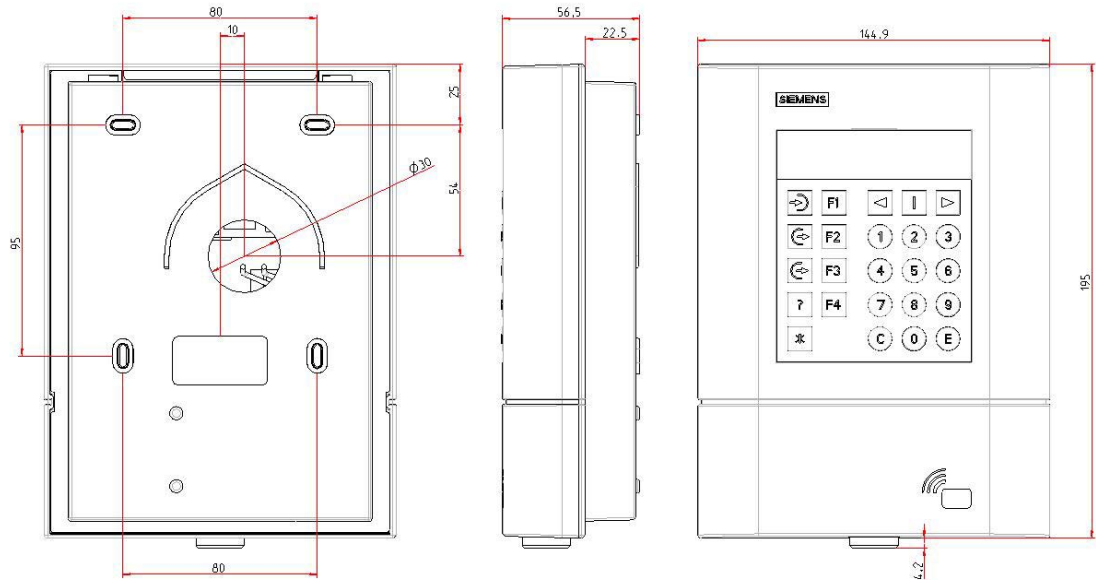
Installation

Recommended for wall installation on even surface. For installation and connection please follow the instructions of the operating manual.

A wall-mounting bracket with a 15° angle is available as an option.

Dimensions (in mm)

AR6543-xx



Technical data

Power supply	12 - 24 V AC/DC (10,2 – 27,6V)
Current consumption	Approx. 350 mA (max. 5W)
Interfaces	
RS-485	BPA9+ reader protocol
Operating temperature	-20 to +60 °C
Relative humidity	95% (non condensing)
Keypad	yes, > 1.000.000 operations
Display	Vacuum Fluorescent Display, 2 lines, 20 digits per line
Protection class	IP54, IP65 with gasket
Standards	CE
Conforming	to VDE 0830 i.e. separate door control unit with power supply, detached from the reader terminal
Dimensions in mm (h x w x d)	195 x 150 x 56
Colour	similar RAL9006, white aluminium
Material	PC / ABS plastic (injection moulding), varnish

Details for ordering

Type	Part no	Designation	Weight
AR6543-RX	6FL7172-8AA	AR6543-RX – Contact less reader for access control and time recording, with vacuum-fluorescent-display, 9 function keys and PIN-code keypad, for card technologies Miro, CerPass Proximity, Hitag1 and Hitag2 (125kHz)	1.30 kg
AR6543-MT	6FL7172-8AC	AR6543-MT – Contact less reader for access control and time recording, with vacuum-fluorescent-display, 9 function keys and PIN-code keypad, for card technology ISO14443A: Mifare® and my-id proximity (SLE55R04/16, 13.56 MHz)	1.30 kg
	6FL7195-3QC02-1EN0	Miro card, white, blank (100 pcs.)	
	6FL7195-3AU02-1EN0	Hitag1 card, white, blank, uncoded (100 pcs.)	
	GBQ:507024	DZ3022 proximity card, white, blank	
	6FL7195-3VU02-1DN0	Mifare® card, white, blank, uncoded (100 pcs.)	
ARZ6600-HZ	6FL7172-8DB	Heating, 12Volt, 20W (necessary within outdoor installations)	0.3 kg
	6FL7163-8AN	Power supply for heating ARZ6600-HZ	0.7 kg
ARZ6600-W1	6FL7172-8DD	Wall-mounting bracket 15° angle for reader AR6543-xx, AR664x-xx, Zincor steel, varnished	0.2 kg
	6FL7045-8BA	MNET-Module ² , pluggable LAN-adapter for reader AR664x-xx	0.2 kg

² Only necessary for downloading reader firmware! Not for standard reader operation.

Issued by
Siemens Gebäudesicherheit GmbH & Co. oHG
D-76187 Karlsruhe

www.sibt.de

© 2003 Copyright by
Siemens Building Technologies AG
Data and design subject to change without notice.
Supply subject to availability.

Printed in the Federal Republic of Germany
on environment-friendly chlorine-free paper.

Document no. **A24205-A335-B086**
Edition 09.2003