

Product Discription

The Media Converter complies with IEEE802.3, IEEE802.3u and IEEE802.3x Standards. It is designed to convert data signal between 100 Base-Tx and 100 Base-Fx fast Ethernet.

The 2 Wavelength WDM Converter is designed to fit into the fast growing optical fiber network deployment and adapts the emerging WDM technology and able to expand a copper based network up to 20KM through a single optical fiber and provide Bi-Directional.

The converter is equipped with one fiber optic connectors, two RJ-45 Jacks and one external power supply receptacle. Six LED indicators are built-in for easy diagnosing and monitoring the status of power, UTP Link, UTP Activity, Fiber Link, Fiber Activity, Full duplex and data rates. It can be configured automatically for Full Duplex or Half Duplex operation.

It is compact, cost-effective, low dissipative, high reliable and stable. It can be used in standalone applications or Rack-Mounted applications where multiple media converter can be inserted into a rack-mount chassis (Up 10 units) and allowing all the converters to be powered by a single internal power supply.

Order Information

Table 1: Order Information

Type	Fiber Type	Wavelength(nm)	Fiber Length(Km)
VDS3312	SM	1310T/1550R	20
VDS3313	SM	1550T/1310R	20



Product Features

- Meets IEEE802.3u 100BaseTX and 100BaseFX standards
- Plug-and-Play installation
- 2 Wavelength WDM Technology
- High quality and excellent reliability
- Full-duplex 100Mbps Ethernet operation up to 20Km
- Two RJ45 ports for installation easily
- 6 diagnostic and monitoring LEDs for the status of power, FX link/ACT, TX link/ACT
- Half-duplex and full-duplex identify automatically
- Stand-alone with external power adapter

Contact us now for more information:

VADSYS DIGITAL SYSTEM TECHNOLOGIES CO., LTD.

B-112, #3 Gaopeng Road, Hi-tech District, Chengdu, 610041, China

Tel: (86) 28 8618 1880 exto 817 Fax: (86) 28 8517 8620

E-mail: vad.joseph@gmail.com

Homepage: <http://www.vadsys.com>

Agent:

100BASE BI-DI Media Converter

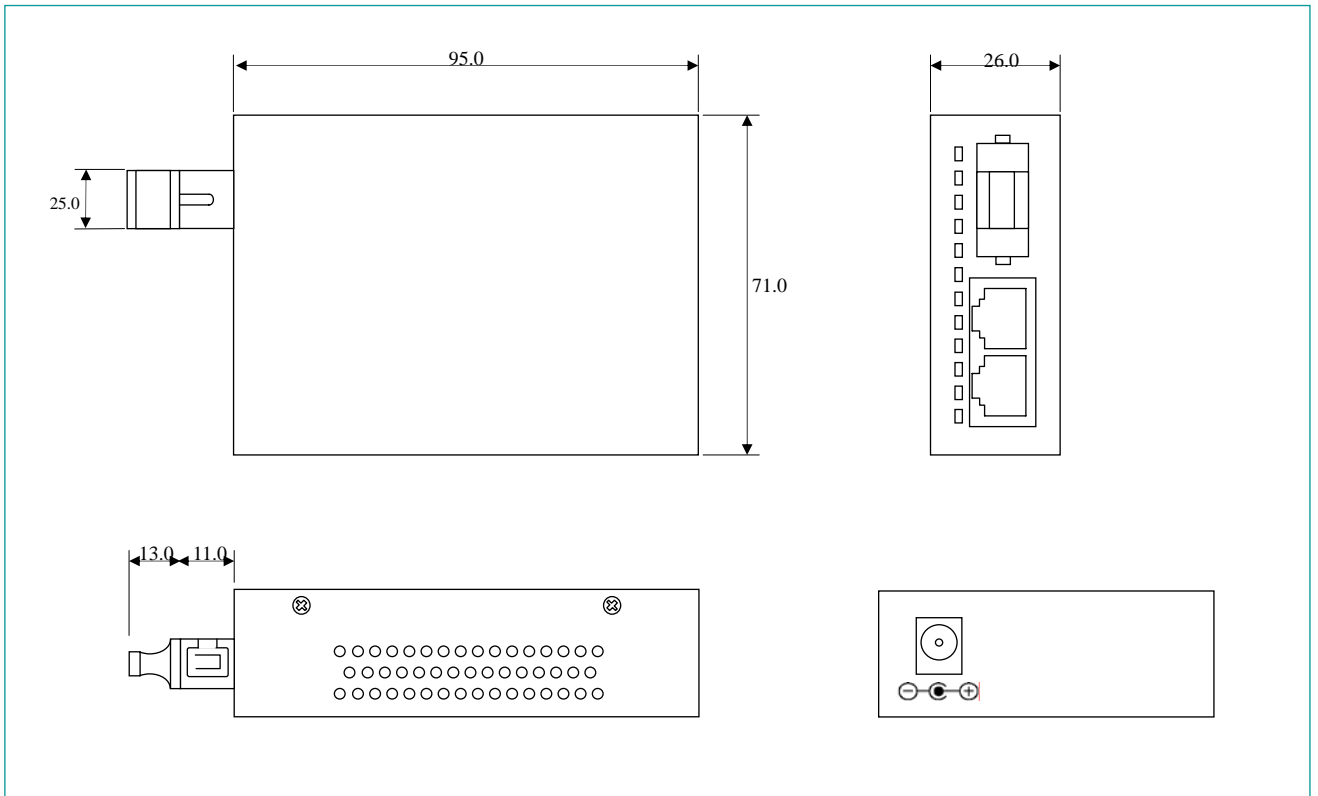
VDS3312/13

Specifications

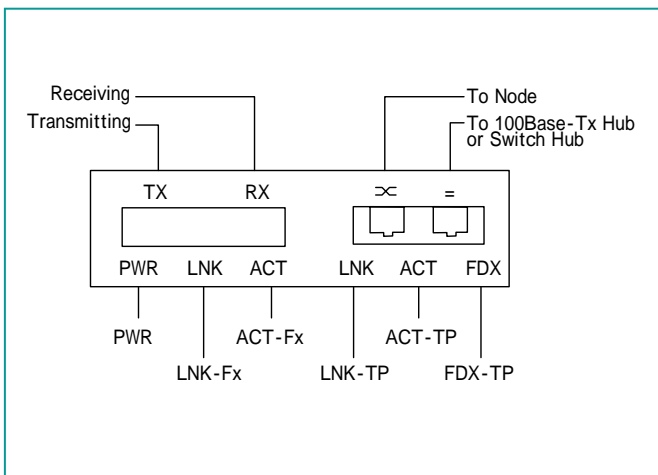
Parameter	Min.	Typ.	Max.	Units
Standard	IEEE802.3 、 IEEE802.3u 、 IEEE802.3x			
Data Rate			100	Mbps
Operating Wavelength	1280 1480	1310 1550	1335 1580	nm
Fiber Interface	SC/PC Fiber Connector, 9/125um Single Mode Fiber			
RJ45 Port	UTP-100-ohm Cat.5 cable			
Max Segment Length (UTP)	0		120	m
Max Segment Length (Fiber)				
VDS3312 (1310nm)		20 (SM Fiber)		Km
VDS3313 (1550nm)		20 (SM Fiber)		
External Power Supply	AC 86~260V 50~60Hz ;			
Power Supply	+5V DC, 1A			
Operating Temperature	0 -20		70 (Business Level) 85 (Industry Level)	
Storage Temperature	-40		85	
Humidity	5% ~ 90% (Non-condensing)			
EMI and Safety	CE , FCC Class A			
Dimensions	95 mm (L)*71 mm (W) *26 mm (H)			

Outline Drawing

Dimension (mm)



Front Panel



LED	Color	Function
LNK-FX	Green	Lit when fiber connection is good Blink when fiber data is active
ACT-FX	Green	Blink when fiber data is active
LNK-TP	Green	Lit when TP connection is good, Blink when TP data is active
ACT-TP	Green	Blink when TP data is active
FDX-TX	Green	Lit when full-duplex mode is active
PWR	Green	Lit when +5V power is coming up

Note: Specifications subject to change without notice.