

## Digital locks from Abloy Security

Unican 4000 series

PAGE 1 OF 2



### Applications

- The 4000 Series is suitable for providing an access control system to high-traffic areas, such as hospitals, entrances to commercial or industrial buildings, apartments, dormitories and schools or any other commercial, institutional or industrial buildings
- Ideal for locations with a high personnel turnover rate, such as data processing centres, employee entrances, hospitals and R&D labs due to the easy change combination
- In addition the 4000 Series uses a lever handle which provides easy access for the disabled

### Features

- Stand-alone battery operated, heavy duty lockset
- Simple programming - full instructions
- Programmed on door
- Three security levels of codes
- Up to 19 user codes with one million possible unique combinations
- Batteries (4 x AA) last up to 80,000 operations
- Low battery warning
- Vandal resistant metal keypad
- Reversible handing
- Mechanical key override at all times
- Inside handle operates at all times
- Deadlocking latch (UL listed - 3 hour fire rated)
- 3 latch sizes available
- 2 backset sizes available
- Suitable for 45-51mm thick doors with rim stile width of 127mm
- Finish:
  - Satin chrome (SC)
  - Satin brass (SB)
  - Bright brass (BB)



Need technical help ?

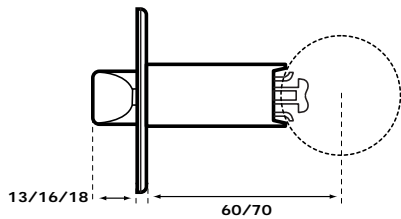
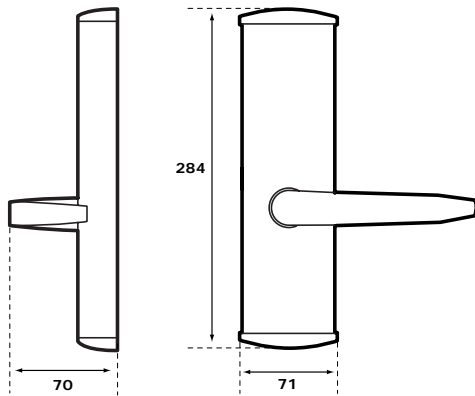
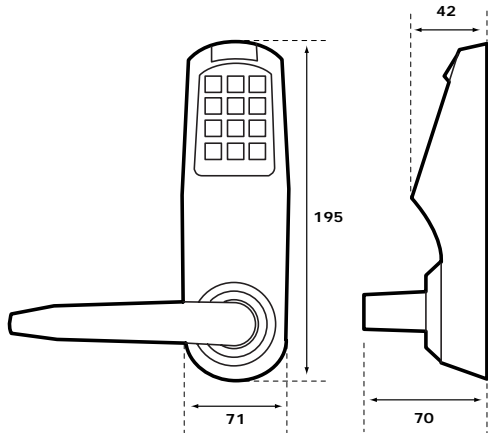


0700 2256985

Digital locks from Abloy Security

Unican 4000 series

PAGE 2 OF 2



Abloy Security Limited, 2/3 Hatters Lane, Croxley Business Park, Watford, Hertfordshire, WD18 8QY

01923 255066 01923 230281 sales@abloysecurity.co.uk / www.abloysecurity.co.uk