

IP PTZ Cameras

Versatile, full-featured cameras



OVERVIEW

The UltraView™ IP PTZ represents the next generation of H.264-based PTZ video surveillance technology. Fully programmable and designed to deliver unmatched performance, the UltraView IP PTZ produces high-quality IP video in a variety of challenging environments. The progressive-scan 36X optical (12X digital) zoom camera offers clear images at short- and long-range distances, while the wide dynamic range functionality enables viewing in bright and dark areas simultaneously.

The UltraView IP PTZ features a built-in H.264 video encoder for 4CIF resolution at 30 FPS over an IP network. The encoder provides a data channel that allows control and programming of the dome over the network connection. UltraView IP PTZ also has a Web browser-based user interface that allows users to connect, view, configure and control the dome with any PC using Microsoft Internet Explorer and access to the same network. Compatible with other Interlogix products including the TVN20, TVN40 and TVR60, the UltraView IP PTZ can be a drop-in addition to an existing IP video system.

Three housing options are available: indoor/outdoor pendant, indoor flush and indoor surface. The indoor/outdoor pendant is IP66-rated for outdoor use and includes a heater and fan, and is also wall mount ready (GEA-102) and can be pendant-mounted using an available threaded adapter. The indoor flush and surface models offer a fast, simple installation right out of the box.

STANDARD FEATURES

- ¼ inch progressive scan CCD
- H.264 compression technology
- 4CIF resolution up to 30 FPS
- Compatible with other TruVision products
- Built-in Web page for PC-based control
- 360° endless pan travel
- 540°/second preset pan speed and 400°/second preset tilt speed
- ONVIF/PSIA open standards compliant
- Indoor and outdoor mounts available
- Pendant models compatible with CyberDome™/Legend™ GEA-102 wall mounts

IP PTZ Cameras

North America
T 855-286-8889

Asia
T 852-2907-8108

Australia
T 61-3-9239-1200

Europe
T 32-2-725-11-20

Latin America
T 561-998-6114

Versatile, full-featured cameras

Specifications

Camera

Sensor	1/4" Progressive Scan Sony Ex-View HAD CCD
Zoom Range	36X Optical, 12X Digital
Lens	3.4mm (wide) to 122.4mm (tele); F1.6 to F4.5
Angle of View (H)	57.8° (wide) to 1.7 (tele)
BNC Video Output	Yes
Signal to Noise Ratio	>50dB
Electronic Shutter	1/3 to 1/10,000 sec
Day/Night	Motorized IR Cut Filter
Sensitivity	0.1 Lux (Color) 0.01 Lux (B&W)
WDR	Yes; up to 128X

Network

Input	RJ45 Ethernet
Compression	H.264
Maximum Resolution	4 CIF @ 30FPS

General

Pan Travel	360 ° endless
Tilt Travel	-5 ° - 185 °
Preset Pan/Tilt Speed	540° per sec/400 ° per sec
Presets	256
Tours (Preset/Shadow)	8/4
Privacy Zones (Total/Active)	24/8
Alarm Inputs/Outputs	1/1
Bubble	Clear, with camera concealment shroud
Power Input	24VAC +/- 10%
Power Consumption	15W (Running) / 30W (Heater on)
Environmental	IP66 (Pendant); IP54 (Indoor)
Operating Temperature, (Indoor, Flush)	14° - 122°F (-10° - 50°C)
Operating Temperature, (Pendant)	-31° - 149°F (-35° - 65°C)

Ordering Information

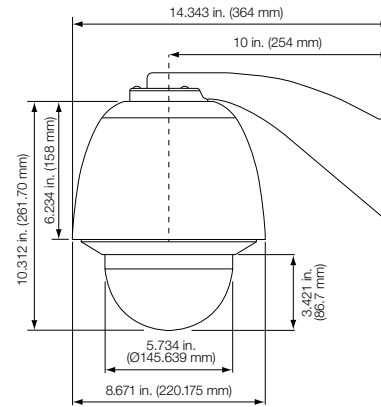
UVP-N120P-36X-N	UltraView IP PTZ, 36X, WDR, 4CIF, Pan/Tilt/Zoom Camera Indoor/Outdoor, Wall-mount ready, NTSC out
UVP-N120S-36X-N	UltraView IP PTZ, 36X, WDR, 4CIF, Pan/Tilt/Zoom Camera Indoor Surface-mount, NTSC out
UVP-N120F-36X-N	UltraView IP PTZ, 36X, WDR, 4CIF, Pan/Tilt/Zoom Camera Indoor, with Flush-mount, NTSC out
UVP-N120P-36X-P	UltraView IP PTZ, 36X, WDR, 4CIF, Pan/Tilt/Zoom Camera Indoor/outdoor, Wall-mount ready, PAL out
UVP-N120S-36X-P	UltraView IP PTZ, 36X, WDR, 4CIF, Pan/Tilt/Zoom Camera Indoor Surface-mount, PAL out
UVP-N120F-36X-P	UltraView IP PTZ, 36X, WDR, 4CIF, Pan/Tilt/Zoom Camera Indoor, with Flush-mount, PAL out

Accessories

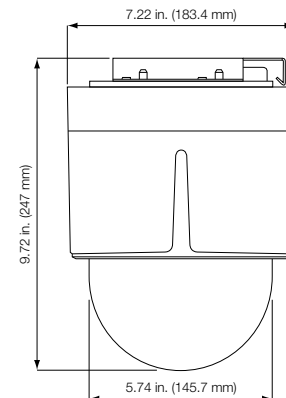
1060050A	Pendant adapter for UltraView IP PTZ, 1 1/4 NPT, Rubber boot, UTC Grey (used with outdoor pendant)
GEA-102	UltraView/Legend/Cyberdome II Wall mount, Cast aluminum
GEA-104	Legend/Cyberdome II Parapet swing-arm mount
GEA-105	Legend/Cyberdome II Corner-mount adaptor
GEA-106	Legend/Cyberdome II Pole-mount adaptor
GEA-107	Legend/Cyberdome II Roof-mount adaptor

Dimensional Diagrams

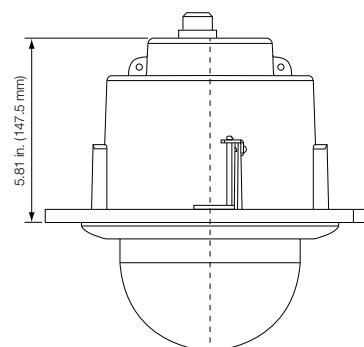
UVP-N120P-36X-N



UVP-N120S-36X-N



UVP-N120F-36X-N



interlogix.com

Specifications subject to change without notice.

© 2012 Interlogix. All rights reserved.
Interlogix is part of UTC Climate, Controls & Security,
a unit of United Technologies Corporation.

210-3602 2012/12 (72488)