

Dome IP Cameras

High-res, vandal-resistant, varifocal lens network cameras



OVERVIEW

UltraView® XP4 Series Dome IP security cameras provide high-quality surveillance images in a variety of discreet commercial applications. The advanced, powerful H.264-SVC compression provides improved video quality, flexibility, spatial scalability and consumes 15–30% less bandwidth than MPEG4 ASP. UltraView XP4 Series Dome IP cameras can be mounted in a variety of positions including wall-mount, ceiling-mount, pendant-mount and flush-mount. The camera can be rotated 360° and tilted 90° into the most desirable viewing angle using the 3-axis gimbal mounting system. Each housing comes with a captive shroud that conceals the easy-to-position camera. These IP dome cameras come standard with true day/night (removable IR cut filter), Ethernet (with PoE support), BNC and UTP connections. UltraView XP4 Series Dome IP cameras are aluminum, vandal-resistant, IP66-rated, environmental housings designed for indoor and outdoor use. They also feature a polycarbonate dome for extra durability.

UltraView XP4 Series Dome IP cameras offer two great options to choose from, making it easy to get the right camera for the right situation.

Ultra-Wide Dynamic Range

UltraView XP4 Series Dome IP WDR cameras use Pixim Seawolf technology. Each pixel is individually optimized to show details in shadows and highlights. This ultra-wide dynamic range camera option will deliver usable images in the most challenging high-contrast lighting conditions. The improved low-light performance makes this option a true high-performance WDR camera. These cameras options deliver high quality 4CIF resolution.

STANDARD FEATURES

- H.264 SVC compression provides superior image quality at lower bandwidth requirements than MPEG4-ASP
- Scalable network solution
- Up to 120 dB WDR
- 4CIF resolution at up to 30FPS
- Excellent performance in most lighting conditions
- True day/night (removable IR cut filter)
- IR-corrected varifocal lenses
- Standard BNC and RJ45 connections
- Polycarbonate dome with captive shroud for easy installation, vandal resistance and to conceal camera position
- Heavy-duty indoor/outdoor housing (IP66 rated)
- PoE/12VDC/24VAC
- The 3-axis gimbal allows wall mounting of the dome while maintaining a level viewing horizon
- Compatible with Interlogix universal camera mounts

APPLICATION

UltraView XP4 Series Dome IP cameras are notable for their ability to work in just about any environment. Because the available camera options perform in extreme high- and low-light situations, it's easy to find a camera tailored to most security applications.

UltraView XP4 Series Dome IP cameras, with vandal-resistant and weather-resistant characteristics, are ideal for exterior installations including shipping ports and banking institutions, as well as parking lots. These compact domes are also well-suited for indoor applications including retail environments and healthcare facilities. UltraView XP4 Series Dome IP fixed cameras are supported by the UltraView EVP Recorder 40, UltraView EVP Recorder 60, UltraView EVP NVR 80 as well as TruVision® NVR 40.

Dome IP Cameras

North America
T 855-286-8889

Latin America
T 561-998-6114

High-res, vandal-resistant, varifocal lens network cameras

Specifications

Features

Sensor	Progressive scan Pixim Seawolf
Wide Dynamic Range	102 dB typical, 120 dB max
Signal System	NTSC or PAL standard
Scanning System	525/60 (NTSC); 625/50 (PAL) Progressive scan
Synchronization	Internal
Effective Pixels (HxV)	768 x 540 (NTSC and PAL)
Resolutions	4CIF, 2CIF, CIF, QCIF
Frame Rates	30, 15, 7.5, 3.5, 2, 1
Analog Out/Effective ROS (HTVLe)	540TVL color/690 HTVLe
Sensitivity	0.01 lux @ f1.2, 30 IRE
S/N Ratio	> 50 dB
Gamma Compensation	0.45 NTSC; 0.36 PAL
Composite Output	1.0 V p-p @ 75 ohms
Ethernet Out	10/100 Mb (RJ-45 connector)
White Balance	ATW/PTL
D/N Switching	Auto/Manual
Lens Options	2.8 to 10.5 mm AI f1.2 IR corrected 9 to 22 mm AI f1.4 IR corrected

Network

Embedded Auto-Sensing	Ethernet 10/100 Lan, IP multicast, unicast and multi-unicast support
Ethernet/IP CoS support	802.1 p/Q
Transmission	RTP/RTSP
Embedded Analytics	Activity Detection
PoE IEEE	802.3af

Environmental

Operating Temperature	-22°F~122°F (-30°C~50°C)
-----------------------	--------------------------

Electrical

Input Voltage	PoE, 12VDC/24VAC
Power Consumption	6 W (PoE); 7 W (DC); 11 W (AC)

Physical

Dimensions	5.22 x 4.11 in. (133 x 105 mm)
Weight	3.5 lb. (1.6 kg)

Regulatory Certifications

FCC, CE, C-TICK, UL

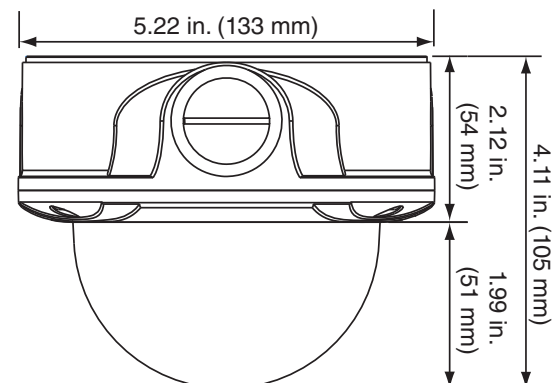
Typical Camera Locations

- Loading docks
- ATM kiosks
- Retail stores
- Office lobbies
- Automotive dealership showrooms
- Hospital hallways/surgical suites
- Parking garages



Dimensional Diagram

UltraView XP4 Series Dome IP housings are rugged and weather-resistant (IP66). An adapter plate that mounts the camera to a single- or double-gang electrical box is included.



Ordering Information

NTSC

UVD-IP-XP4DNR-VA2	UltraView® IP XP4 WDR True Day/Night Rugged Dome Camera, 540TVL, H.264 SVC, 2.8-10mm AI IR Corrected, PoE/12VDC/24VAC, NTSC
UVD-IP-XP4DNR-VA9	UltraView IP XP4 WDR True Day/Night Rugged Dome Camera, 540TVL, H.264 SVC, 9-22mm AI IR Corrected, PoE/12VDC/24VAC, NTSC

PAL

UVD-IP-XP4DNR-VA2-P	UltraView IP XP4 WDR True Day/Night Rugged Dome Camera, 540TVL, H.264 SVC, 2.8-10mm AI IR Corrected, POE/12VDC/24VAC, PAL
UVD-IP-XP4DNR-VA9-P	UltraView IP XP4 WDR True Day/Night Rugged Dome Camera, 540TVL, H.264 SVC, 9-22mm AI IR Corrected, PoE/12VDC/24VAC, PAL



interlogix.com

Specifications subject to change without notice.

© 2013 United Technologies Corporation.
All rights reserved.
Interlogix is part of UTC Building & Industrial Systems,
a unit of United Technologies Corporation.

308-3725 2014/01 (76028)