

Video Surveillance UltraView™ Series Dome IP Cameras

Overview

UltraView™ Dome IP security cameras provide high-quality surveillance images in a variety of discreet commercial applications. The advanced, powerful H.264-SVC compression provides improved video quality, flexibility, spatial scalability and consumes 15–30% less bandwidth than MPEG4 ASP. UltraView Dome IP cameras can be mounted in a variety of positions including wall-mount, ceiling-mount, pendant-mount and flush-mount. The camera can be rotated 360 degrees and tilted 90 degrees into the most desirable viewing angle using the 3-axis gimbal mounting system. Each housing comes with a captive shroud that conceals the easy-to-position camera. These IP dome cameras come standard with true day/night (removable IR cut filter), Ethernet (with PoE support), BNC and UTP connections. UltraView Dome IP cameras are aluminum, vandal-resistant, IP66-rated, environmental housings designed for indoor and outdoor use. They also feature a polycarbonate dome for extra durability.

UltraView Dome IP cameras offer two great options to choose from, making it easy to get the right camera for the right situation.

Ultra-Wide Dynamic Range

UltraView Dome IP WDR cameras use Xposure™ technology. Each pixel is individually optimized to show details in shadows and highlights. This ultra-wide dynamic range camera option will deliver usable images in the most challenging high-contrast lighting conditions. The improved low-light performance makes this option a true high-performance WDR camera. These cameras options deliver high quality 4CIF resolution.

Exceptional Low-Light Performance

UltraView Dome IP cameras incorporate a Sony CCD, DSP and a micro-controller to provide high-quality images with good color reproduction and sharp pictures. These camera options deliver 4CIF resolution color as well as feature an advanced auto-exposure system for autoiris lenses that optimizes the available light.

Standard Features

- H.264 SVC compression provides superior image quality at lower bandwidth requirements than MPEG4-ASP
- Scalable network solution
- Simple to install and configure
- 4CIF resolution at up to 30FPS
- Excellent performance in most lighting conditions
- True day/night (removable IR cut filter)
- IR-corrected varifocal lenses
- Standard BNC and RJ45 connections
- Polycarbonate dome with captive shroud for easy installation, vandal resistance and to conceal camera position
- Heavy-duty indoor/outdoor housing (IP66 rated)
- PoE/12 VDC/24 VAC
- The 3-axis gimbal allows wall mounting of the dome while maintaining a level viewing horizon

UltraView Series

Dome IP Cameras

High-res, vandal-resistant,
varifocal lens network cameras



Application

UltraView™ Dome IP cameras are notable for their ability to work in just about any environment. Because the available camera options perform in extreme high- and low-light situations, it's easy to find a camera tailored to most security applications.

UltraView IP domes, with vandal-resistant and weather-resistant characteristics, are ideal for exterior installations including shipping ports and banking institutions, as well as parking lots. These compact domes are also well-suited for indoor applications including retail environments and healthcare facilities. UltraView Dome IP fixed cameras are supported by the UltraView EVP Recorder 40, UltraView EVP Recorder 60, UltraView EVP NVR 80 as well as TruVision™ NVR 40.

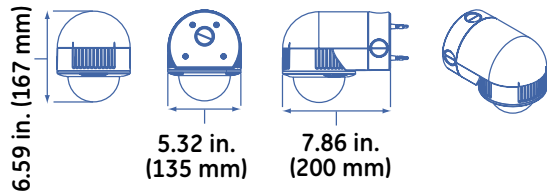
Typical Camera Locations	XP3	EVR
Loading docks	Y	N
ATM kiosks	Y	N
Retail stores	Y	Y
Office lobbies	Y	Y
Automotive dealership showrooms	Y	N
Hospital hallways/surgical suites	Y	N
Parking garages	Y	Y

Specifications

	UltraView Dome IP WDR	UltraView Dome IP
Features		
Sensor	1/3-in. Xposure	1/3-in. interline transfer Super HAD CCD
Wide Dynamic Range	95 dB typical, 120 dB max	—
Signal System	NTSC or PAL standard	NTSC or PAL Standard
Scanning System	525/60 (NTSC); 625/50 (PAL) Progressive scan	525/60 (NTSC), 625/50 (PAL) 2:1 Interlace
Synchronization	Internal	DC Internal
Effective Pixels (HxV)	720 x 540 (NTSC and PAL)	704 x 480 (NTSC and PAL)
Resolutions	4CIF, 2CIF, CIF, QCIF	4CIF, 2CIF, CIF, QCIF
Frame Rates	30, 15, 7.5, 3.5, 2, 1	30, 15, 7.5, 3.5, 2, 1
Analog Out	540TVL	540TVL
Sensitivity	0.5 lux @ f1.2, 30 IRE	0.05 lux @ f1.2, 30 IRE
S/N Ratio	> 49 dB	> 50 dB
Gamma Compensation	0.45 NTSC; 0.36 PAL	—
Composite Output	1.0 V p-p @ 75 ohms	1.0 V p-p @ 75 ohms
Ethernet Out	10/100 Mb (RJ-45 connector)	10/100 Mb (RJ-45 connector)
White Balance	ATW/PTL	ATW/PTL
D/N Switching	Auto/Manual	Auto/Manual
Lens Options	2.8 to 10.5 mm AI f1.2 IR corrected 9 to 22 mm AI f1.4 IR corrected	2.8 to 10.5 mm AI f1.2 IR corrected 9 to 22 mm AI f1.4 IR corrected
Auto Exposure	—	1/60 (1/50) sec
Network		
Embedded Auto-Sensing	Ethernet 10/100 Lan, IP multicast, unicast and multi-unicast support	Ethernet 10/100 Lan, IP multicast, unicast and multi-unicast support
Ethernet/IP CoS support	802.1 p/Q	802.1 p/Q
Transmission	RTP/RTSP	RTP/RTSP
Embedded Analytics	Activity Detection	Activity Detection
PoE IEEE	802.3af	802.3af
Environmental		
Operating Temperature	-22 to 122°F (-30 to 50°C)	-22 to 122°F (-30 to 50°C)
Electrical		
Input Voltage	PoE, 12 VDC or 24 VAC	PoE, 12 VDC or 24 VAC
Power Consumption	6 W (PoE); 7 W (DC); 11 W (AC)	7 W (PoE); 8 W (DC); 12 W (AC)
Physical		
Dimensions	5.22 x 4.11 in. (133 x 105 mm)	5.22 x 4.11 in. (133 x 105 mm)
Weight	3.5 lb. (1.6 kg)	3.1 lb. (1.4 kg)
Regulatory Certifications		
	FCC, CE, C-TICK, UL	FCC, CE, C-TICK, UL

Accessories

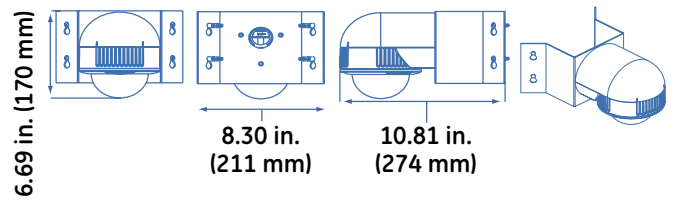
DR-RWM Wall Mount for UltraView™ Rugged Dome



Specifications

- Construction: Aluminum
- Finish: Powder coated

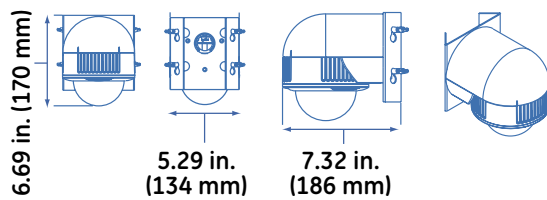
DR-OCM Outside Corner Mount for UltraView Rugged Dome



Specifications

- Construction: Aluminum
- Finish: Powder coated

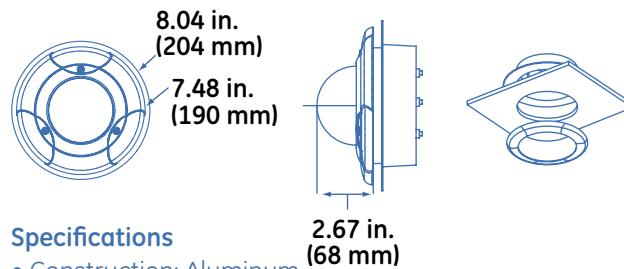
DR-ICM Inside Corner Mount for UltraView Rugged Dome



Specifications

- Construction: Aluminum
- Finish: Powder coated

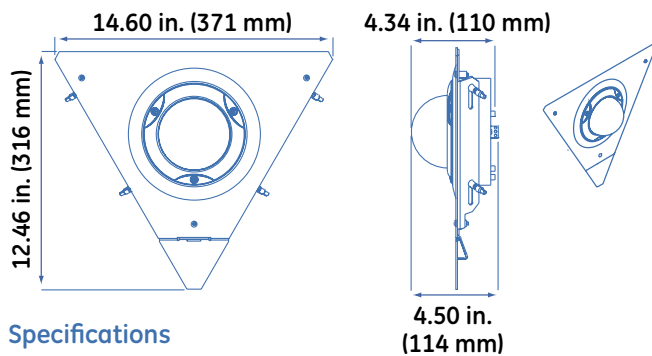
DR-FM Flush Mount for UltraView Rugged Dome



Specifications

- Construction: Aluminum
- Finish: Powder coated

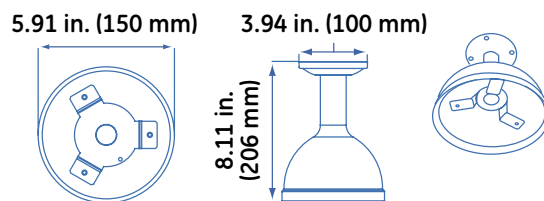
DR-RCM Corner Mount for UltraView Rugged Dome



Specifications

- Construction: Aluminum
- Finish: Powder coated

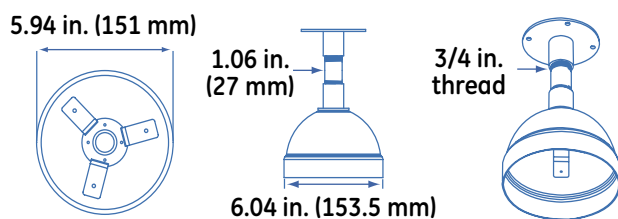
DR-PDM Pendant Mount for UltraView Rugged Dome



Specifications

- Construction: Aluminum
- Finish: Powder coated

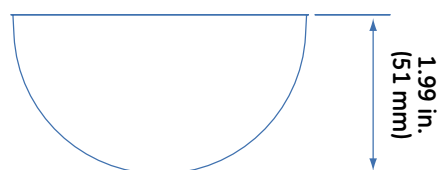
DR-EP Extendable Pendant Mount for UltraView Rugged Dome (pipe not included)



Specifications

- Construction: Aluminum
- Finish: Powder coated
- Use 3/4-in. NPT pipe (not included)

DR2-BUBBLE Replacement Bubble Dome and Trim Ring for UltraView Rugged Domes



North America
T 888-437-3287

Asia
T 852-2907-8108
F 852-2142-5063

Australia
T 61-3-9239-1200
F 61-3-9239-1299


Europe
T 32-2-725-11-20
F 32-2-721-40-47

Latin America
T 561-998-6100
F 561-994-6572

utcfireandsecurity.com

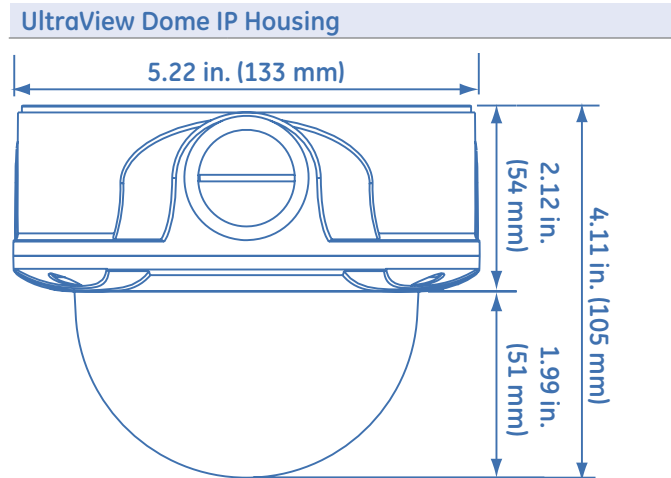
Specifications subject to change without notice.

© 2010 UTC Fire & Security.
All rights reserved.

 is a trademark of General Electric Company and is used under license to UTC Fire & Security, 9 Farm Springs Road, Farmington, CT 06034-4065

Dimensional Diagram

UltraView™ Dome IP housings are rugged and weather-resistant (IP66). An adapter plate that mounts the camera to a single-or double-gang electrical box is included.



Ordering Information

NTSC	
UVD-IP-EVRDNR-VA2	UltraView IP H.264 True Day/Night Rugged Dome, H.264, 4CIF, UTP, BNC, 2.8-10.5mm AI IR Corrected, PoE/12VDC/24VAC, NTSC
UVD-IP-XP3DNR-VA2	UltraView IP WDR H.264 True Day/Night Rugged Dome, H.264, 4CIF, UTP, BNC, 2.8-10.5mm AI IR Corrected, PoE/12VDC/24VAC, NTSC
UVD-IP-EVRDNR-VA9	UltraView IP H.264 True Day/Night Rugged Dome, H.264, 4CIF, UTP, BNC, 9-22mm AI IR Corrected, PoE/12VDC/24VAC, NTSC
UVD-IP-XP3DNR-VA9	UltraView IP WDR H.264 True Day/Night Rugged Dome, H.264, 4CIF, UTP, BNC, 9-22mm AI IR Corrected, PoE/12VDC/24VAC, NTSC
PAL	
UVD-IP-EVRDNR-VA2-P	UltraView IP H.264 True Day/Night Rugged Dome, H.264, 4CIF, UTP, BNC, 2.8-10.5mm AI IR Corrected, PoE/12VDC/24VAC, PAL
UVD-IP-XP3DNR-VA2-P	UltraView IP WDR H.264 True Day/Night Rugged Dome, H.264, 4CIF, UTP, BNC, 2.8-10.5mm AI IR Corrected, PoE/12VDC/24VAC, PAL
UVD-IP-EVRDNR-VA9-P	UltraView IP H.264 True Day/Night Rugged Dome, H.264, 4CIF, UTP, BNC, 9-22mm AI IR Corrected, PoE/12VDC/24VAC, PAL
UVD-IP-XP3DNR-VA9-P	UltraView IP WDR H.264 True Day/Night Rugged Dome, H.264, 4CIF, UTP, BNC, 9-22mm AI IR Corrected, PoE/12VDC/24VAC, PAL