

6100 Series Box Cameras

Versatile high-resolution cameras



OVERVIEW

The UltraView™ box camera series delivers a high-resolution solution that can meet commercial video surveillance challenges in a variety of demanding environments.

Ideal for most indoor and outdoor applications, these cameras offer well-balanced spectral sensitivity without compromising saturation and color accuracy. IR cut filters provide true day/night surveillance and help optimize performance in challenging lighting conditions.

Installation and operation are fast and simple, with on-screen menus for easy adjustment of advanced features, including privacy zones, motion detection and camera titles. A selection of mounts and housings is available to meet specific application needs.

Hi-Res Box Camera

The Hi-Res Box Camera offers a crisp 650TVL resolution and 0.08 lux low-light sensitivity. An Adaptive Tone Reproduction (ATR) function improves contrast in bright/dark areas of the image using a single shutter exposure frame.

WDR Box Camera

The WDR Box Camera utilizes the latest CCD sensors and DSP technology to offer both 650TVL resolution and 0.01 lux low-light sensitivity in one package. Based on dual-shutter Wide Dynamic Range (WDR) technology, the camera acquires natural images with fewer blown-out highlights and hidden shadows, even under the most difficult lighting conditions. Its ATR-EX function utilizes a single shutter exposure frame with precise calculations while leveraging a powerful digital signal processor. This produces fewer blown-out highlights and muted shadows in any scene, resulting in accurate and reliable high-resolution images.

Plus, a Digital Image Stabilizer (DIS) function suppresses the image shaking that can occur when cameras are mounted outdoors, in higher locations, or in areas subject to vibration.

STANDARD FEATURES

- 650TVL high resolution
- Removable IR-cut filter for day/night conditions
- Adaptive Tone Reduction (ATR) provides superior video quality under Wide Dynamic Range (WDR) conditions
- Highlight compensation (HLC) technology suppresses intense lighting situations, such as vehicle headlights
- 2D and 3D Digital Noise Reduction (DNR)
- 3.3V D/N trigger terminal for IR illuminators (sold separately)
- OSD menus for easy camera configuration

Box Cameras

North America
T 855-286-8889

Asia
T 852-2907-8108

Australia
T 61-3-9239-1200

Europe
T 32-2-725-11-20

Latin America
T 561-998-6114

Versatile high-resolution cameras

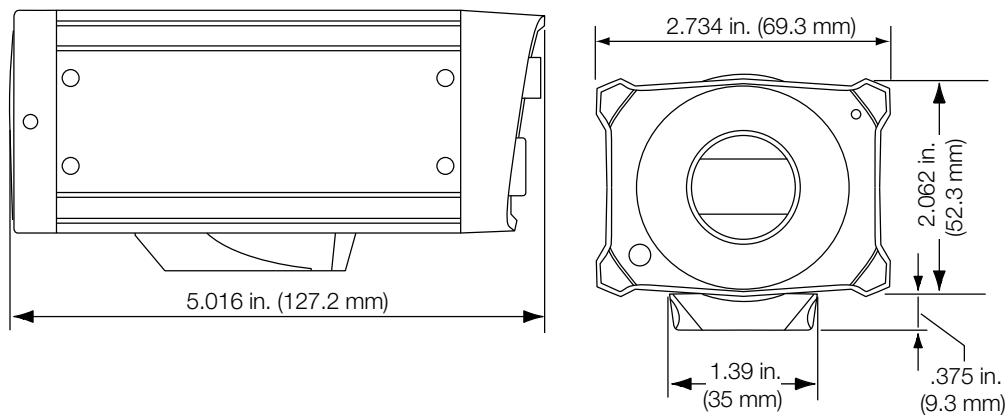
Specifications

| | UVC-6120-1-N (-P) | UVC-6130-1-N (-P) |
|-------------------------|---|---|
| Pickup Device | 1/3" EXview HAD II | 1/3" Super HAD CCD II |
| Total Pixels (H x V) | NTSC: 1028 x 508 / PAL: 1028 x 596 | |
| Effective Pixels | NTSC: 976 x 494 / PAL: 976 x 582 | |
| Resolution | 650 TVL | |
| Synchronization System | Internal | |
| Scanning Mode | 2:1 Interlace | |
| IR Cut | Yes | |
| S/N Ratio | 52 dB (AGC Off) | |
| Electronic Shutter | PAL: 1/50 s to 1/10,000 s NTSC: 1/60 s to 1/10,000 s | PAL: 1/50 s to 1/50,000 s NTSC: 1/60 s to 1/50,000 s |
| Minimum Illumination | 0.08 lux (F1.2, AGC x1) | 0.01 lux (F1.2, AGC x1) |
| Video Output | 1 Vp-p composite output (75 Ω/BNC) | |
| White Balance | ATW/Push/User1/User2/Anti CR/Manual/Push lock | |
| Lens Type | C/CS-DC | |
| Wide Dynamic Range | ATR | WDR + ATR-EX |
| Digital Noise Reduction | 2DNR | 2DNR + 3DNR |
| Highlight Compensation | HLC | |
| Motion Detection | Up to 4 zones | |
| Privacy Mask | Up to 8 | |
| Power Supply | 24 VAC / 12 VDC | |
| Current | 300mA | |
| Power Consumption | Max. 3.6W | |
| Operating Temperature | -10 to +50°C (14 to 122°F) | |
| Weight | 390 g (0.85 lb.) | 415 g (0.9 lb.) |

Ordering Information

| | |
|--------------|---|
| UVC-6120-1-N | UltraView™ 650TVL Color Box Camera, True D/N, 24VAC/12VDC, NTSC |
| UVC-6120-1-P | UltraView 650TVL Color Box Camera, True D/N, 24VAC/12VDC, PAL |
| UVC-6130-1-N | UltraView 650TVL Color Box Camera, WDR, True D/N, 24VAC/12VDC, NTSC |
| UVC-6130-1-P | UltraView 650TVL Color Box Camera, WDR, True D/N, 24VAC/12VDC, PAL |

Dimensional Diagrams



Specifications subject to change without notice.

© 2012 Interlogix.
All rights reserved.

Interlogix is part of UTC Climate, Controls & Security,
a unit of United Technologies Corporation.

209-3561 2012/10 (72198)



interlogix.com