

Overview

The GE UltraView™ PTZ builds upon the legacy of the CyberDome™ II PTZ line with new, full-featured camera options that help you choose the best PTZ for your application. The dome works with multiple vendor systems and can easily be added to an existing system. Available housings are among the most durable in the industry and permit the installation of a dome in a wide range of applications. Choose from two camera modules that feature day/night, wide dynamic range and image stabilization.

Two camera options are available—a 27x optical zoom and 37x optical zoom. Both cameras feature true day/night, WDR, 12X digital zoom and EIS. The WDR feature is ideal for use in high-contrast lighting conditions and intelligently adjusts the amount of compensation that is required for an ideal image. Digital zoom extends the range of the cameras beyond standard optical zoom lenses. This EIS stabilization feature offers additional image improvements when the camera is installed in areas subject to vibration. The integrated shroud conceals camera position.

Cameras can be mounted into housings featuring alarms and relays for direct wiring to nearby sensors. In addition, firmware updates are capable through the same interface as the PTZ. Indoor and outdoor housings are designed to hold up in a variety of environmental conditions, with standard outdoor housings achieving an IP66 environmental rating, and can operate to -40 degrees F/C with the optional heater.

A special day/night light sensor in the dome controls day/night mode and has multiple thresholds. With a choice to use either the external sensor or the camera sensor, users can select the one that provides best settings for a camera's position. An auto slow shutter feature on the day/night cameras slows down shutter speed for better images in dark areas.

UltraView PTZ allows the user to preset up to 128 positions, repeatable to within ± 0.1 degree. Set areas, privacy masks, and preset and Shadow Tours for maximum surveillance.

Variable-speed pan/tilt lets users move the camera through surveillance areas at any of 32 speeds, with a maximum pan/tilt of 340 degrees per second.

The Quick Spin feature lets the camera spin automatically when the bottom of tilt travel is reached. It can track motion directly under a camera without losing the picture.

Set specific operations when the camera is powered on or when no external command is received in a defined period of time. Operations include calling a preset position or initiating a preset tour or a Shadow Tour.

Standard Features

- Comprehensive programming choices with advanced options to meet almost any application
- UltraView PTZ Standard (UVP) models include 4 alarm inputs and 2 relay outputs
- Shroud offers better concealment of camera position
- 128 preset positions, 4 preset tours, and 4 Shadow Tours
- Control day/night settings through the camera module or a unit sensor to get best results
- Choose from many options in camera module, housing and accessories
- Quick Spin feature spins camera 180 degrees automatically when bottom of tilt travel is reached
- Variable-speed pan/tilt with smoother pan operation
- Site-tied memory allows camera replacement without reprogramming
- Compatible with CyberDome II housings and accessories

UltraView Series PTZ

integrated PTZ dome camera



GE UltraView™ PTZ Options

Available Housings

- Flush-mount ceiling
- Pendant-mount
- Pendant-mount with heater
- Wall-mount
- Heavy-duty
- Heavy-duty with heater
- Rugged pendant
- Rugged pendant with heater
- Pressurized pendant mount with heater

Available Cameras (NTSC or PAL)

- 27x day/night camera with WDR and EIS
- 37x day/night camera with WDR and EIS

Bubble Specifications

Choose from four different acrylic bubbles or two polycarbonate bubbles, based on how you wish to balance discreet camera position and available light. Polycarbonate bubbles work with heavy-duty and rugged pendant housings only.

Bubble	Light loss
Clear acrylic	none
Smoke acrylic	1/2 f-stop
Chrome mirrored acrylic	2 f-stop
Gold mirrored acrylic	2 f-stop
Clear polycarbonate	none
Smoke polycarbonate	1/2 f-stop

General Specifications

- Manual pan speed: 0.5 to 200°/sec
- Manual tilt speed: 0.5 to 120°/sec
- Max. pan/tilt speed: 340°/sec
- Presets: 128 with 24-character title
- Preset tours: 4 tours with 64 presets each
- Shadow tours: 4 with 5 min. each
- Protocols: Digiplex RS422, Impac RS485, ASCII RS422, Pelco D, Pelco P, Pelco Coaxitron, Ultrak, AD 4800, AD Manchester, BBV, Bosch Biphase, Bosch RS232, KD6, Panasonic, VCL, Vicon
- Operating temperature, without heater: 32 to 140°F (0 to 60°C)
- Operating temperature, with heater: -40 to 140°F (-40 to 60°C)
- Regulatory: FCC, CE, C-Tick, UL, RoHS

Flush-mount ceiling

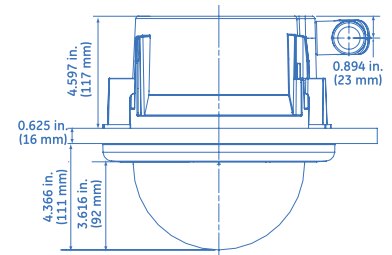
The indoor flush-mount housing is designed for in-ceiling applications. A T-bar support kit is included.

Electrical

- Operating voltage: 24 VAC +/- 4 VAC
- Power: 25 W startup; 20 W running

Mechanical

- Environmental enclosure: Rated IP50
- Dimensions: 9.5 in. dia. x 9.6 in. high (241 x 243 mm)
- Weight (housing, PTZ): 6 lb., 8.5 oz. (2.96 kg)
- Construction: Gray ABS plastic



Pendant-mount and pendant-mount with heater

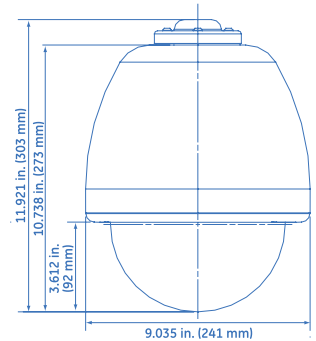
The weatherproof pendant-mount housing can be used for indoor or outdoor applications. Both the pendant-mount and pendant-mount with heater and fan are rated IP66. With the heater/fan option, the housing can be used in temperatures to -40°F (-40°C).

Electrical

- Operating voltage: 24 VAC +/- 4 VAC
- Power: 25 W startup; 20 W running
- Power, with heater: 93 W startup; 45 W running

Mechanical

- Environmental enclosure: Rated IP66
- Dimensions: 9.5 in. dia. x 11.9 in. high (241 x 303 mm)
- Weight (housing, heater, PTZ): 6 lb., 8.5 oz. (2.96 kg)
- Construction: Gray ABS plastic



Wall-mount and wall-mount with heater

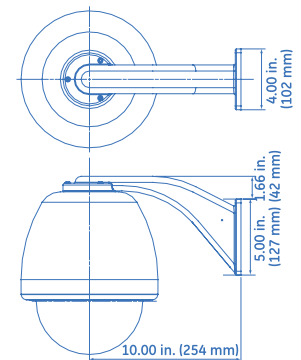
The weatherproof wall-mount housing can be used for indoor or outdoor applications. The wall arm is constructed of cast aluminum. Both the wall-mount and wall-mount with heater and fan are rated IP66. With the heater option, the housing can be used in temperatures to -40°F (-40°C).

Electrical

- Operating voltage: 24 VAC +/- 4 VAC
- Power: 25 W startup; 20 W running
- Power, with heater: 93 W startup; 45 W running

Mechanical

- Environmental enclosure: Rated IP66
- Dimensions: 9.5 in. dia. x 9.6 in. high (241 x 243 mm)
- Weight (housing, heater, PTZ): 8 lb., 8.5 oz. (3.87 kg)
- Construction: Gray ABS plastic



Heavy-duty and heavy-duty with heater

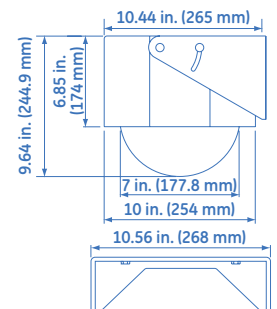
The weatherproof heavy-duty housing is designed to hold up under tough outdoor use. Both the heavy-duty and heavy-duty with heater and fan come with adjustable wall-mount brackets. With the heater option, the housing can be used in temperatures to -13°F (-25°C).

Electrical

- Operating voltage: 24 VAC +/- 4 VAC
- Power: 25 W startup; 20 W running
- Power, with heater: 153 W startup; 66 W running

Mechanical

- Dimensions: 10.56 in. wide x 9.64 in. high (268 x 236 mm)
- Weight (housing, heater, PTZ): 13 lb., 8 oz. (6.12 kg)
- Construction: Cast aluminum



Rugged pendant and rugged pendant with heater

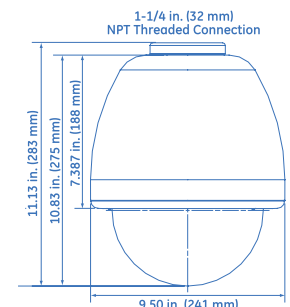
The weatherproof rugged pendant housing is for outdoor applications that require tamper resistance. Both the rugged pendant and rugged pendant with heater and fan are rated IP66. With the heater option, the housing can be used in temperatures to -40°F (-40°C).

Electrical

- Operating voltage: 24 VAC +/- 4 VAC
- Power: 25 W startup; 20 W running
- Power, with heater: 153 W startup; 66 W running

Mechanical

- Environmental enclosure: Rated IP66
- Dimensions: 9.5 in. dia. x 11.1 in. high (241 x 283 mm)
- Weight (housing, heater, and PTZ): 12 lb., 8.5 oz. (5.68 kg)
- Construction: Cast aluminum



Camera specifications

Modules	27x day/night with WDR	37x day/night with WDR
Sensor	1/4 in. CCD	1/4 in. CCD
Zoom	Optical 27x; Digital 12x	Optical 37x; Digital 12x
Resolution	540 TVL	540 TVL
Synchronization	Internal/line lock	Internal/line lock
Lens	3.25mm (wide) to 88mm (tele); F1.5 - 3.8	3.5mm (wide) to 129mm (tele); F1.5 - 4.1
Sensitivity	0.6 lux at 1/60 sec NTSC or 1/50 sec PAL	0.6 lux at 1/60 sec NTSC or 1/50 sec PAL
Sensitivity, ICR-off	0.01 lux at 1/4 sec NTSC or 1/3 sec PAL	0.01 lux at 1/4 sec NTSC or 1/3 sec PAL
Electronic Shutter Speed	1/60 to 1/90,000 sec, NTSC; 1/50 to 1/90,000 sec, PAL	1/60 to 1/90,000 sec, NTSC; 1/50 to 1/90,000 sec, PAL
Video Output	1.0 V p-p	1.0 V p-p

Ordering Information

First, choose the housing, bubble, and camera that you want.

UV - - -

Model	Housing	Dome Bubble	PTZ Camera Assembly
PS Select	F Flush-mount	2 Bronze acrylic (pressurized only)	D27N 27x day/night camera, NTSC
P Standard	H Pendant-mount	3 Clear acrylic	D27P 27x day/night camera, PAL
	HE Pendant-mount with heater and fan	4 Smoke acrylic	D37N 37x day/night camera, NTSC
	C Wall-mount	4 Chrome mirrored acrylic (a la carte only)	D37P 37x day/night camera, PAL
	CE Wall-mount with heater and fan	4 Gold mirrored acrylic (a la carte only)	
	D Heavy-duty	8 Clear polycarbonate†	Please ask your Interlogix™ sales representative for all available options.
	DE Heavy-duty with heater and fan	9 Smoke polycarbonate†	
	P Wall-mount pendant pressurized housing		
	PE Pendant pressurized housing		
	R Rugged pendant		
	RE Rugged pendant with heater and fan		

†Available for F, D, DE, R, and RE housing options

Then, choose mounting accessories from the list below.

GEA-102 Cast-aluminum wall-mount arm

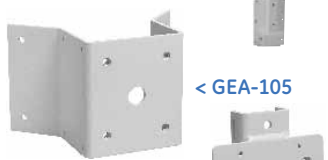
- Weight: 2.0 lb. (0.91 kg)
- Material: Aluminum
- Finish: Gray



GEA-104 >

GEA-104 Parapet swing-arm mount

- Weight: 7.75 lb. (3.52kg)
- Material: Aluminum
- Finish: Gray powder coat



< GEA-105

GEA-105 Corner-mount adapter

- Weight: 1.9 lb. (0.86 kg)
- Material: Aluminum
- Finish: Gray powder coat



^ GEA-106

GEA-106 Pole-mount adapter

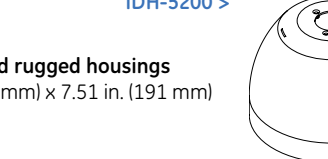
- Weight: 14.4 oz. (408 g)
- Material: Aluminum
- Finish: Gray powder coat



< GEA-107

GEA-107 Roof-mount adapter

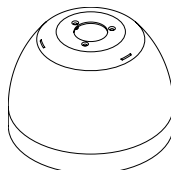
- Weight: 1.2 lb. (0.54 kg)
- Material: Aluminum
- Finish: Gray powder coat



IDH-5200 >

IDH-5200 Sun-shield for standard and rugged housings

- Dimensions: 10.75 in. (273 mm) x 7.51 in. (191 mm)
- Material: ABS plastic
- Finish: Gray powder coat



GEA-113 Ceiling panel

- Weight: 3.2 oz. (91 g)
- Material: Steel
- Finish: White enamel



< GEA-113

GEA-114 T-bar support kit

- Weight: 6.4 oz. (181 g)
- Material: Steel
- Finish: Galvanized



GEA-114 >

Parapet-capping brackets

- Material: 0.25 in. aluminum
- Finish: Gray powder coat



GEA-108: Corner, narrow

- 6 to 12 in. (152 to 305 mm)
- Weight: 7 lb. (3.18 kg)

GEA-109: Corner, wide

- 12 to 17 in. (305 to 432 mm)
- Weight: 8 lb. (3.63 kg)

GEA-110: Straight, narrow

- 6 to 12 in. (152 to 305 mm)
- Weight: 14 lb. (6.4 kg)

GEA-111: Straight, wide

- 12 to 17 in. (305 to 432 mm)
- Weight: 15 lb. (6.8 kg)



< brackets

North America
T 888-437-3287

Asia
T 852-2907-8108
F 852-2142-5063

Australia
T 61-3-9239-1200
F 61-3-9239-1299

Europe
T 32-2-725-11-20
T 32-2-721-40-47

Latin America
T 561-998-6100
T 561-994-6572

interlogix.com
utcfireandsecurity.com

Specifications subject to change without notice.

© 2010 Interlogix, A UTC Fire & Security Company
All rights reserved.



is a trademark of General Electric Company and
is used under license to UTC Fire & Security,
9 Farm Springs Road, Farmington, CT 06034-4065