

Video Surveillance TruVision™ Line Power Supplies

Overview

TruVision™ Power Supplies provide outstanding performance while delivering strong value. They have been specifically designed and built to provide the ideal power requirements to your camera system.

Standard Features

TVPS DC Series

These central power supplies have dual-fuse protection (Master Fuse and Output Fuse per channel). High outputs on each channel will deliver the required power to all TruVision Line DC-powered cameras. The DC Series is available in 4, 8 and 16 output models.

- Individually fused outputs
- 4, 8 or 16 high-output channels
- Universal input voltage (120VAC/240VAC)
- 3 conductor grounded line cord included
- Illuminated power On/Off switch

TVPS AC Series

A weatherproof, outdoor power supply designed to quickly power up an indoor or outdoor PTZ camera. This 24VAC, 4AMP power supply features a ruggedized cabinet with single-handed lockable latch. The power supply is dual voltage (120V or 240V) with 24V or 28V selectable fused outputs.

- IP66/NEMA4X rating
- Power-coated aluminium with stainless steel door hinge and lockable latch
- Easy access: Two 1-1/8" knockout holes with 7/8" watertight nipples
- Illuminated power On/Off switch
- Extra fuses included
- Universal input voltage (120VAC/240VAC)

TruVision Line

DC and AC Series Power Supplies



TVPS DC Series

TVPS AC Series



North America
T 888-437-3287

Asia
T 852-2907-8108
F 852-2142-5063

Australia
T 61-3-9239-1200
F 61-3-9239-1299


Europe
T 32-2-725-11-20
F 32-2-721-40-47

Latin America
T 561-998-6100
F 561-994-6572


utcfireandsecurity.com

Specifications subject to change without notice.

© 2010 UTC Fire & Security.
All rights reserved.

 is a trademark of General Electric Company and is used under license to UTC Fire & Security, 9 Farm Springs Road, Farmington, CT 06034-4065

Specifications

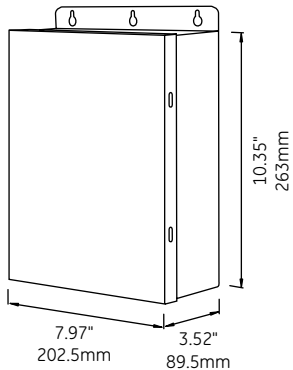
	TVPS DC Series			TVPS AC Series
	TVPS-4-12DC	TVPS-8-12DC	TVPS-16-12DC	TVPS-01-24AC
				
Input Voltage	120VAC or 240VAC 47-63Hz	120VAC or 240VAC 47-63Hz	120VAC or 240VAC 47-63Hz	120VAC, 240VAC 50-60Hz
Output Voltage	12VDC 5A total	12VDC 8.5AMP total	12VDC 18AMP total	24VAC, 26VAC or 28VAC at 120VA via the secondary output tap's connector strip
Output Amperage	Each output: 1.25AMP	Each output: 1.06AMP	Each output: 1.125AMP	4.0AMP
Power Cord	Includes 3 conductor grounded line cord	Includes 3 conductor grounded line cord	Includes 3 conductor grounded line cord	—
Power Switch	On/Off safety switch with LED	On/Off safety switch with LED	On/Off safety switch with LED	On/Off safety switch with LED
Protected Outputs	4 individual fuse- protected outputs	8 individual fuse- protected outputs	16 individual fuse- protected outputs	1 individual fuse- protected output
Output Fuse Limit	1.5A	1.5A	1.5A	1.5A
Main Fuse Limit	5A	10A	10A	—
Power Source	120 or 240VAC	120 or 240VAC	120 or 240VAC	120 or 240VAC
Power Consumption	60W	100W	240W	120W
Current	0.3A	0.5A	1.2A	0.75A
Weight	6.6 lbs. (3 kg)	7.7 lbs. (3.5 kg)	7.7 lbs (3.5 kg)	7 lbs (3.2 kg)
Dimensions (H x W x D)	10.35 x 7.97 x 3.52 in. (263 x 202.5 x 89.5mm)	11.26 x 11.97 x 3.52 in. (286 x 304 x 89.5mm)	11.26 x 11.97 x 3.52 in. (286 x 304 x 89.5mm)	6.14 x 7.68 x 4.04 in. (156 x 195 x 102.5mm)
Operating Temperature	-10°C to 40°C	-10°C to 40°C	-10°C to 40°C	-10°C to 40°C
Storage Temperature	-20°C to 70°C	-20°C to 70°C	-20°C to 70°C	-20°C to 70°C
Regulatory Certification	UL, cUL, CE	UL, cUL, CE	UL, cUL, CE	UL, cUL, CE

Ordering Information

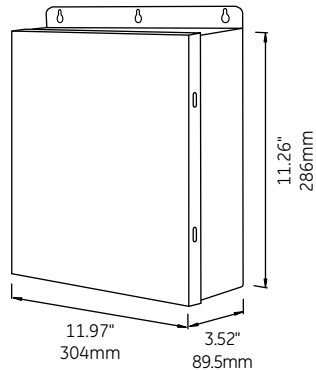
TVPS-4-12DC	Four (4) output 12VDC power supply, 12VDC @ 1.25 amps (5A total)
TVPS-8-12DC	Eight (8) output 12VDC power supply, 12VDC @ 1.06 amps (8A total)
TVPS-16-12DC	Sixteen (16) output 12VDC power supply, 12VDC @ 1.125 amps (18A total)
TVPS-01-24AC	Single-position outdoor PTZ power supply, 120/240VAC input, 24/28VAC output @ 4A

Dimensional Diagrams

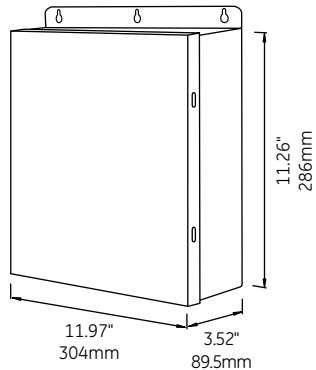
TVPS-4-12DC



TVPS-8-12DC



TVPS-16-12DC



TVPS-01-24AC

