

# 36X PTZ Camera

High-res, 650 TVL camera



## OVERVIEW

The TruVision™ 36X PTZ utilizes the latest PTZ technology to provide powerful, cost-effective surveillance for retail, commercial and small business applications. With advanced features such as True day/night surveillance and Wide Dynamic Range imaging, the 36X PTZ provides optimal image quality in a variety of indoor or outdoor environments. Motion detection and electronic image stabilization functionality provide additional value to any surveillance system.

The camera's 650 TVL resolution and a 36X optical (12X digital) zoom work together to deliver crisp, clear images even at a distance. This is complemented by a 360° endless pan, with travel at up to 400°/sec. for full movement and tracking through all fields of view. The camera is fully programmable, with up to 256 presets, 8 patterns, and 8 shadow tours for end-user customization and flexibility.

TruVision 36X PTZ cameras install easily, with two different housing options to meet almost any application need. Indoor surface housing with an optional flush mount is designed for fast, simple installation right out of the box. An indoor/outdoor option is IP-66 rated to withstand the elements and includes a heater and fan. It can be pendant-mounted using an available threaded adapter.

## STANDARD FEATURES

- 1/4-inch interlaced CCD
- 36X optical zoom, 12X digital
- 650 TVL resolution
- 360° endless pan travel
- 400°/second preset pan and tilt speed
- True day/night and WDR functionality
- Supports Impac RS485 and Digiplex RS422 protocols as well as select third-party protocols
- Indoor and outdoor mounts available
- Wall mounts compatible with UltraView™/CyberDome™/Legend™ wall mount accessories

# 36X PTZ Camera

High-res, 650 TVL camera

North America  
T 855-286-8889

Asia  
T 852-2907-8108

Australia  
T 61-3-9239-1200

Europe  
T 32-2-725-11-20

Latin America  
T 561-998-6114

## Specifications

### Camera

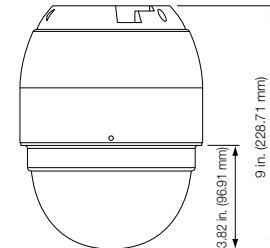
Sensor	1/4" Interlaced CCD
Zoom Range	36X Optical, 12X Digital
Lens	3.4mm (wide) to 122.4mm (tele)
Angle of View (H)	57.8° (wide) to 1.7° (tele)
BNC Video Output	Yes
Signal to Noise Ratio	>50dB
Day/Night	Motorized IR Cut Filter
Sensitivity	0.1 Lux (Color) 0.01 Lux (B&W)
WDR	Yes; up to 128X

### General

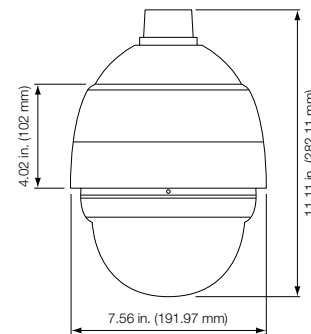
Pan Travel	360° endless
Tilt Travel	-10° - 190°
Preset Pan/Tilt Speed	400° per sec
Presets	256
Tours (Preset/Shadow)	8/4
Privacy Zones (Total/Active)	20/8
Alarm Inputs/Outputs	4/2
Bubble	Clear, with camera concealment shroud
Protocols Supported	Impac RS485, Digiplex RS422, Pelco P/D, 5 others
Power Input	24VAC +/- 10%
Power Consumption	15W (Running) / 52W (Heater on)
Environmental	IP66 (Outdoor); IP54 (Indoor)
Dimensions, Indoor	9.0 x 6.7 in. (229 x 172 mm)
Dimensions, Outdoor	11.1 x 7.5 in. (282 x 192 mm)
Weight, Indoor	3.57 lbs. (1.6kg)
Weight, Outdoor	5.11 lbs. (2.3kg)
Operating Temperature, Indoor	0° - 40° C (32° F - 104° F)
Operating Temperature, Outdoor	-40° - 50° C (-22° F - 122° F)

## Dimensional Diagrams

TVP-36DN



TVP-36DN-E



## Ordering Information

<b>TVP-36DN</b>	TruVision™ PTZ full, 36X color, 650TVL, D/N, WDR, EIS, Indoor, NTSC
<b>TVP-36DN-E</b>	TruVision PTZ full, 36X color, 650TVL, D/N, WDR, EIS, Outdoor IP66, HTR/FAN, NTSC
<b>TVP-36DN-EP</b>	TruVision PTZ full, 36X color, 650TVL, D/N, WDR, EIS, Outdoor IP66, HTR/FAN, PAL
<b>TVP-36DN-P</b>	TruVision PTZ full, 36X color, 650TVL, D/N, WDR, EIS, Indoor, PAL

## Accessories

<b>TVP-36-IWA</b>	TruVision PTZ Indoor wall adapter (For indoor models; requires TVP-LWM)
<b>TVP-LWM</b>	TruVision PTZ Long wall mount; Compatible with GEA-XXX Wall mount accessories
<b>TVP-WM</b>	TruVision PTZ Short wall mount; Compatible with GEA-XXX Wall mount accessories
<b>TVP-PM-NPT</b>	TruVision PTZ Indoor/Outdoor NPT Pendant adapter
<b>TVP-36-FM</b>	TruVision PTZ Flush mount (For indoor TVP-36)
<b>TVP-36-ISB</b>	TruVision PTZ Indoor smoked bubble (For indoor TVP-36)
<b>TVP-36-ICB</b>	TruVision PTZ Replacement indoor clear bubble (For indoor TVP-36)
<b>TVP-36-ESB</b>	TruVision PTZ Exterior smoke bubble, Polycarbonate (For outdoor TVP-36)
<b>TVP-36-ECB</b>	TruVision PTZ Replacement outdoor clear bubble (For outdoor TVP-36)

Specifications subject to change without notice.

© 2012 Interlogix.

All rights reserved.

Interlogix is part of UTC Climate, Controls & Security,  
a unit of United Technologies Corporation.

210-3603 2012/12 (72494)



interlogix.com