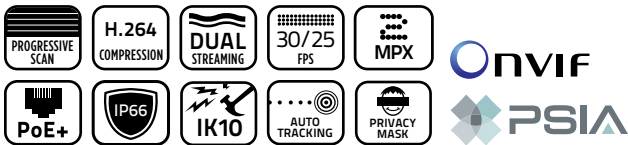


# IP Megapixel PTZ Cameras

1.3 and 2.0MPx IP PTZ Cameras



## OVERVIEW




The TruVision® IP Megapixel PTZ represents the next generation of H.264-based PTZ video surveillance technology. Fully programmable and designed to deliver unmatched performance, the TruVision IP Megapixel PTZ produces high-quality IP video in a variety of challenging environments. The progressive-scan 1.3 and 2.0MPx 20X optical zoom camera offers clear images at short- and long-range distances, while the digital wide dynamic range functionality enables viewing in bright and dark areas simultaneously.

The TruVision IP Megapixel PTZ allows you to capture what is important when using some of the new features, such as intelligent tracking and region of interest. While allowing you to mask off areas that require privacy.

Three housing options are available: indoor/outdoor pendant, indoor flush and indoor surface. The indoor/outdoor pendant is IP66-rated for outdoor use and includes a heater and fan, and is also wall mount ready (GEA-102) and can be pendant-mounted using an available threaded adapter. The indoor flush and surface models offer a fast, simple installation right out of the box.

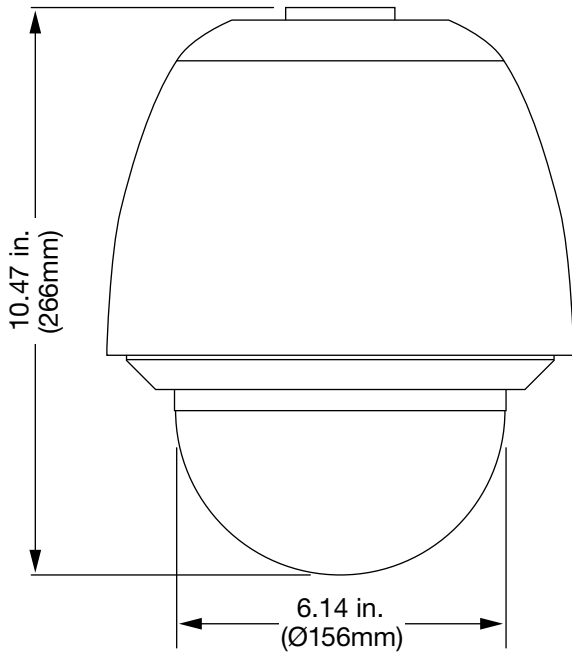
## STANDARD FEATURES

- 1/3-inch progressive scan CMOS
- H.264/MPEG/MJPEG compression technology
- Resolution up to 30 FPS
- Privacy Masks, Intelligent tracking, Region of Interest (ROI)
- Built-in micro SD card slot provided, supports up to 32GB
- POE+ or 24VAC
- Built-in Web page for PC-based control
- ONVIF/PSIA open standards compliant
- Indoor and outdoor mounts available
- Pendant models compatible with CyberDome/Legend GEA Series wall mounts

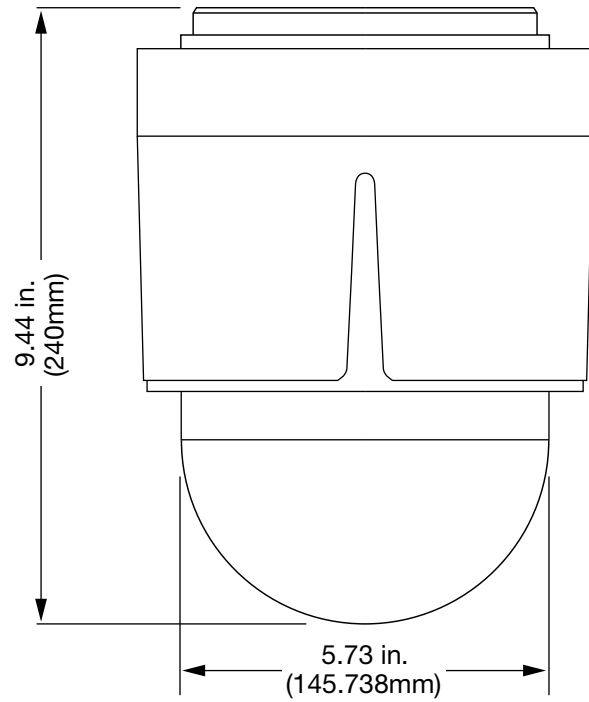
PART NO.		TVP-1101/3101 TVP-1104/3104	TVP-1102/3102 TVP-1105/3105	TVP-1103/3103 TVP-1106/3106
Description				
Camera	Sensor Size	1/3"		
	SD/MPX	1.3MPx/2MPx		
	Sensor Scan	Progressive Scan		
	Sensor Type	CMOS		
	IP Compression/Standard	H.264/MPEG4/MJPEG		
	Maximum Resolution (@ FPS)	1280 x 960 (25fps/30fps)/1920 x 1080 (25fps/30fps)		
	Maximum Real-Time Resolution	1280 x 960/1920 x 1080		
	HD 720p	720P/1080P		
	Composite Output	BNC		
	S/N Ratio	50dB		
	Electronic Shutter	PAL: 1/25-1/10,000s NTSC: 1/30-1/10,000s		
	Certification	UL, CE, FCC, C-tick, REACH, RoHS, HALT, WEEE		
	Lighting Performance	Wide Dynamic Range	DWDR	
WDR in dB		N/A		
Digital Noise Reduction		3D		
Day/Night		IR cut filter with auto switch		
Motorized IR Cut Filter		Yes		
Color Sensitivity		1.3MPx: 0.05 lux @ (F1.4, AGC On) 2MPx: 0.05 lux @ (F1.6, AGC On)		
B/W Sensitivity		1.3MPx: 0.005 lux @ (F1.4, AGC On) 2MPx: 0.005 lux @ (F1.6, AGC On)		
Housing	Camera Type	Pendant Mount	Surface Mount	Flush Mount
	Ratings	IP66 and IK10	IP54	IP54
	Outdoor	Yes	No	No
	Rugged	Yes	No	No
Lens	Control Type	20X Zoom Lens		
	Focal Length	4.3 – 86mm @ F1.4 - 2.6, 4.7 - 94mm @ F1.6 - F3.5		
Power	Voltage Input	24VAC		
	Power Consumption	PoE: Max. 25W Pendant: 24VAC, Max. 65W Surface and Flush: 24VAC, Max. 25W		
	PoE	PoE+ (802.3at)		
Network	Bit Rate	128 Kbps ~ 16Mbps		
	ONVIF	Yes		
	PSIA	Yes		
	CGI	Yes		
	Network Protocols	TCP/IP, HTTP, DHCP, DNS, DDNS, RTP, RTSP, PPPoE, SMTP, NTP, UPnP, SNMP, HTTPS, FTP, 802.1x, Qos, IPv4/IPv6		
Local Storage	Media	Built-in Micro SD card slot		
	Capacity	32 GB		
Others	Alarm	Input 7/output relay 2		
	Audio	Bi-directional		
Camera Analytics	Motion Detection	Yes		
	Privacy Masking	Yes		
Mechanical/ Environmental	Dimensions	Ø 220 x 266 mm	Ø 180 x 240 mm	Ø 206 x 251 mm
	Weight	3.5kg	2.5kg	3kg
	Operating Temperature (Cold Start)	PoE+: -30°C~65°C 24VAC: -40°C~65°C	-10°C – 50°C (14°F – 122°F)	-10°C – 50°C (14°F – 122°F)

## Dimensional Diagrams

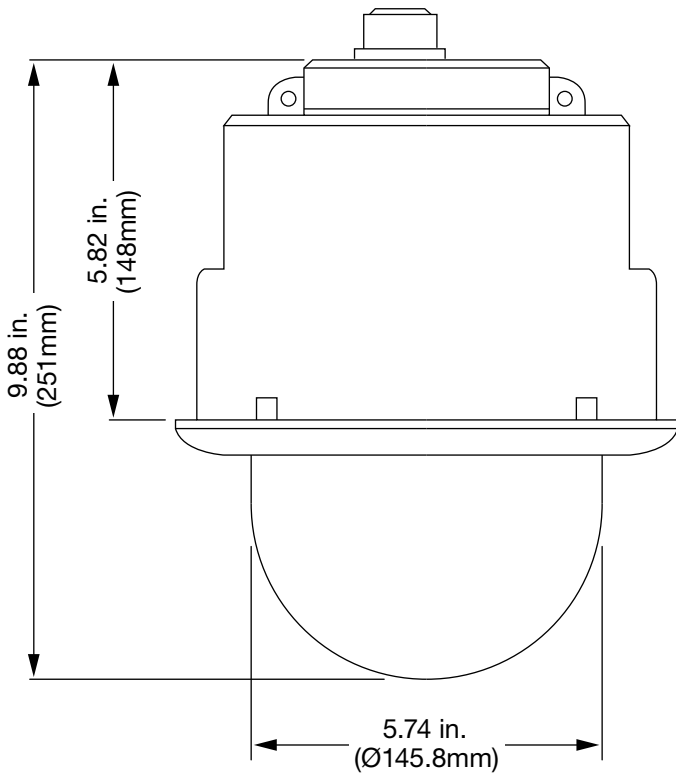
TVP-1101/3101  
TVP-1104/3104



TVP-1102/3102  
TVP-1105/3105



TVP-1103/3103  
TVP-1106/3106



# IP Megapixel PTZ Cameras

1.3 and 2.0MPx IP PTZ Cameras

North America  
T 855-286-8889

Latin America  
T 561-998-6114

## Ordering Information

### NTSC

<b>TVP-3101</b>	TruVision® 1.3MPx, NTSC, Pan/Tilt/Zoom Dome Pendant Outdoor, CMOS, True D/N, DWDR, Motorized IR Cut Filter, H.264, ONVIF/PSIA, 20X Optical Zoom, SD Card Slot, PoE+/24VAC
<b>TVP-3102</b>	TruVision 1.3MPx, NTSC, Pan/Tilt/Zoom Dome Surface Mount Indoor, CMOS, True D/N, DWDR, Motorized IR Cut Filter, H.264, ONVIF/PSIA, 20X Optical Zoom, SD Card Slot, PoE+/24VAC
<b>TVP-3103</b>	TruVision 1.3MPx, NTSC, Pan/Tilt/Zoom Dome Flush Mount Indoor, CMOS, True D/N, DWDR, Motorized IR Cut Filter, H.264, ONVIF/PSIA, 20X Optical Zoom, SD Card Slot, PoE+/24VAC
<b>TVP-3104</b>	TruVision 2MPx, NTSC, Pan/Tilt/Zoom Dome Pendant Outdoor, CMOS, True D/N, DWDR, Motorized IR Cut Filter, H.264, ONVIF/PSIA, 20X Optical Zoom, SD Card Slot, PoE+/24VAC
<b>TVP-3105</b>	TruVision 2MPx, NTSC, Pan/Tilt/Zoom Dome Surface Mount Indoor, CMOS, True D/N, DWDR, Motorized IR Cut Filter, H.264, ONVIF/PSIA, 20X Optical Zoom, SD Card Slot, PoE+/24VAC
<b>TVP-3106</b>	TruVision 2MPx, NTSC, Pan/Tilt/Zoom Dome Flush Mount Indoor, CMOS, True D/N, DWDR, Motorized IR Cut Filter, H.264, ONVIF/PSIA, 20X Optical Zoom, SD Card Slot, PoE+/24VAC

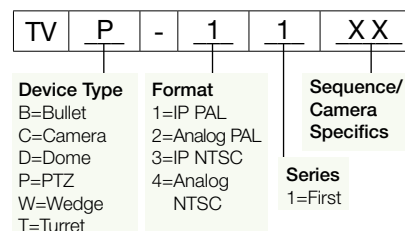
### PAL

<b>TVP-1101</b>	TruVision 1.3MPx, PAL, Pan/Tilt/Zoom Dome Pendant Outdoor, CMOS, True D/N, DWDR, Motorized IR Cut Filter, H.264, ONVIF/PSIA, 20X Optical Zoom, SD Card Slot, PoE+/24VAC
<b>TVP-1102</b>	TruVision 1.3MPx, PAL, Pan/Tilt/Zoom Dome Surface Mount Indoor, CMOS, True D/N, DWDR, Motorized IR Cut Filter, H.264, ONVIF/PSIA, 20X Optical Zoom, SD Card Slot, PoE+/24VAC
<b>TVP-1103</b>	TruVision 1.3MPx, PAL, Pan/Tilt/Zoom Dome Flush Mount Indoor, CMOS, True D/N, DWDR, Motorized IR Cut Filter, H.264, ONVIF/PSIA, 20X Optical Zoom, SD Card Slot, PoE+/24VAC
<b>TVP-1104</b>	TruVision 2MPx, PAL, Pan/Tilt/Zoom Dome Pendant Outdoor, CMOS, True D/N, DWDR, Motorized IR Cut Filter, H.264, ONVIF/PSIA, 20X Optical Zoom, SD Card Slot, PoE+/24VAC
<b>TVP-1105</b>	TruVision 2MPx, PAL, Pan/Tilt/Zoom Dome Surface Mount Indoor, CMOS, True D/N, DWDR, Motorized IR Cut Filter, H.264, ONVIF/PSIA, 20X Optical Zoom, SD Card Slot, PoE+/24VAC
<b>TVP-1106</b>	TruVision 2MPx, PAL, Pan/Tilt/Zoom Dome Flush Mount Indoor, CMOS, True D/N, DWDR, Motorized IR Cut Filter, H.264, ONVIF/PSIA, 20X Optical Zoom, SD Card Slot, PoE+/24VAC

## Accessories

<b>1060050A</b>	Pendant Adapter for PTZ, 1 1/4 NPT, Rubber Boot, UTC Gray (Used with Outdoor Pendant)
<b>GEA-102</b>	Wall Mount, Cast Aluminum
<b>GEA-104</b>	Parapet Swing-Arm Mount
<b>GEA-105</b>	Corner-Mount Adapter
<b>GEA-106</b>	Pole-Mount Adapter
<b>GEA-107</b>	Roof-Mount Adapter

## IP/PTZ part number schema



interlogix.com

Specifications subject to change without notice.

© 2013 United Technologies Corporation.  
All rights reserved.

Interlogix is part of UTC Building & Industrial Systems,  
a unit of United Technologies Corporation.

310-3736 2013/12 (76475)