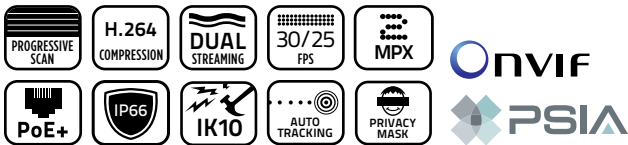


# IP Megapixel PTZ Cameras

1.3 and 2.0MPx IP PTZ Cameras



## OVERVIEW




The TruVision® IP Megapixel PTZ represents the next generation of H.264-based PTZ video surveillance technology. Fully programmable and designed to deliver unmatched performance, the TruVision IP Megapixel PTZ produces high-quality IP video in a variety of challenging environments. The progressive-scan 1.3 and 2.0MPx 20X optical zoom camera offers clear images at short- and long-range distances, while the digital wide dynamic range functionality enables viewing in bright and dark areas simultaneously.

The TruVision IP Megapixel PTZ allows you to capture what is important when using some of the new features, such as intelligent tracking and region of interest. While allowing you to mask off areas that require privacy.

Three housing options are available: indoor/outdoor pendant, indoor flush and indoor surface. The indoor/outdoor pendant is IP66-rated for outdoor use and includes a heater and fan, and is also wall mount ready (GEA-102) and can be pendant-mounted using an available threaded adapter. The indoor flush and surface models offer a fast, simple installation right out of the box.

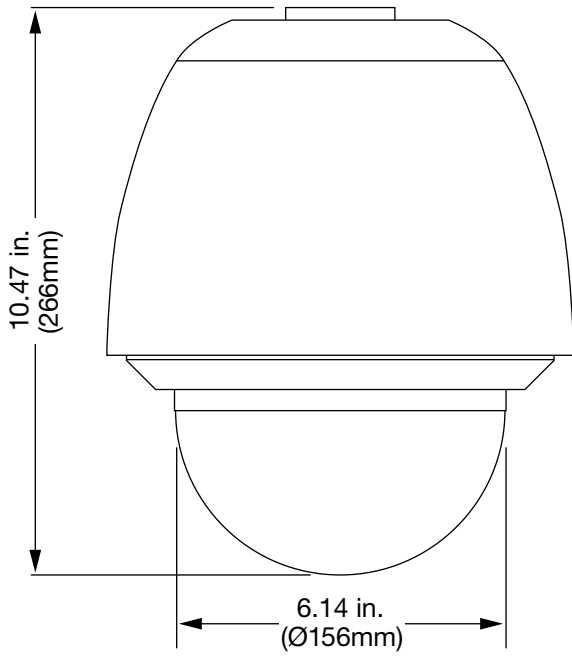
## STANDARD FEATURES

- 1/3-inch progressive scan CMOS
- H.264/MPEG/MJPEG compression technology
- Resolution up to 30 FPS
- Privacy Masks, Intelligent tracking, Region of Interest (ROI)
- Built-in micro SD card slot provided, supports up to 32GB
- POE+ or 24VAC
- Built-in Web page for PC-based control
- ONVIF/PSIA open standards compliant
- Indoor and outdoor mounts available
- Pendant models compatible with CyberDome/Legend GEA Series wall mounts

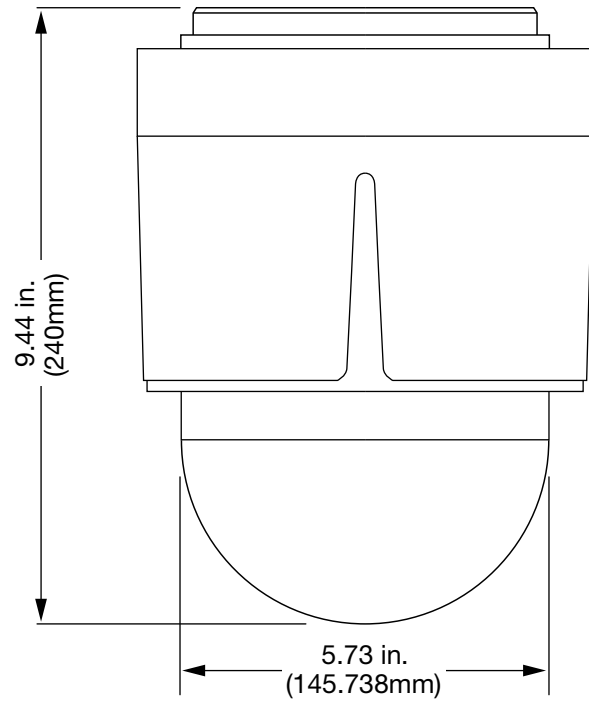
| PART NO.                     |                                    | TVP-1101/3101<br>TVP-1104/3104   | TVP-1102/3102<br>TVP-1105/3105  | TVP-1103/3103<br>TVP-1106/3106  |
|------------------------------|------------------------------------|--|---|---|
| Description                  |                                    |                           |  |  |
| Camera                       | Sensor Size                        | 1/3"   |   |   |
|                              | SD/MPX                             | 1.3MPx/2MPx  |   |   |
|                              | Sensor Scan                        | Progressive Scan   |   |   |
|                              | Sensor Type                        | CMOS   |   |   |
|                              | IP Compression/Standard            | H.264/MPEG4/MJPEG  |   |   |
|                              | Maximum Resolution (@ FPS)         | 1280 x 960 (25fps/30fps)/1920 x 1080 (25fps/30fps)   |   |   |
|                              | Maximum Real-Time Resolution       | 1280 x 960/1920 x 1080   |   |   |
|                              | HD 720p                            | 720P/1080P   |   |   |
|                              | Composite Output                   | BNC  |   |   |
|                              | S/N Ratio                          | 50dB   |   |   |
|                              | Electronic Shutter                 | PAL: 1/25-1/10,000s<br>NTSC: 1/30-1/10,000s  |   |   |
|                              | Certification                      | UL, CE, FCC, C-tick, REACH, RoHS, HALT, WEEE   |   |   |
|                              | Lighting Performance               | Wide Dynamic Range   | DWDR  |   |
| WDR in dB                    |                                    | N/A  |   |   |
| Digital Noise Reduction      |                                    | 3D   |   |   |
| Day/Night                    |                                    | IR cut filter with auto switch   |   |   |
| Motorized IR Cut Filter      |                                    | Yes  |   |   |
| Color Sensitivity            |                                    | 1.3MPx: 0.05 lux @ (F1.4, AGC On)<br>2MPx: 0.05 lux @ (F1.6, AGC On)                                       |   |   |
| B/W Sensitivity              |                                    | 1.3MPx: 0.005 lux @ (F1.4, AGC On)<br>2MPx: 0.005 lux @ (F1.6, AGC On)                                     |   |   |
| Housing                      | Camera Type                        | Pendant Mount  | Surface Mount   | Flush Mount   |
|                              | Ratings                            | IP66 and IK10  | IP54  | IP54  |
|                              | Outdoor                            | Yes  | No  | No  |
|                              | Rugged                             | Yes  | No  | No  |
| Lens                         | Control Type                       | 20X Zoom Lens  |   |   |
|                              | Focal Length                       | 4.3 – 86mm @ F1.4 - 2.6, 4.7 - 94mm @ F1.6 - F3.5  |   |   |
| Power                        | Voltage Input                      | 24VAC  |   |   |
|                              | Power Consumption                  | PoE: Max. 25W<br>Pendant: 24VAC, Max. 65W<br>Surface and Flush: 24VAC, Max. 25W                            |   |   |
|                              | PoE                                | PoE+ (802.3at)   |   |   |
| Network                      | Bit Rate                           | 128 Kbps ~ 16Mbps  |   |   |
|                              | ONVIF                              | Yes  |   |   |
|                              | PSIA                               | Yes  |   |   |
|                              | CGI                                | Yes  |   |   |
|                              | Network Protocols                  | TCP/IP, HTTP, DHCP, DNS, DDNS, RTP, RTSP, PPPoE, SMTP, NTP, UPnP, SNMP, HTTPS, FTP, 802.1x, Qos, IPv4/IPv6 |   |   |
| Local Storage                | Media                              | Built-in Micro SD card slot  |   |   |
|                              | Capacity                           | 32 GB  |   |   |
| Others                       | Alarm                              | Input 7/output relay 2   |   |   |
|                              | Audio                              | Bi-directional   |   |   |
| Camera Analytics             | Motion Detection                   | Yes  |   |   |
|                              | Privacy Masking                    | Yes  |   |   |
| Mechanical/<br>Environmental | Dimensions                         | Ø 220 x 266 mm   | Ø 180 x 240 mm  | Ø 206 x 251 mm  |
|                              | Weight                             | 3.5kg  | 2.5kg   | 3kg   |
|                              | Operating Temperature (Cold Start) | PoE+: -30°C~65°C<br>24VAC: -40°C~65°C  | -10°C – 50°C<br>(14°F – 122°F)  | -10°C – 50°C<br>(14°F – 122°F)  |

## Dimensional Diagrams

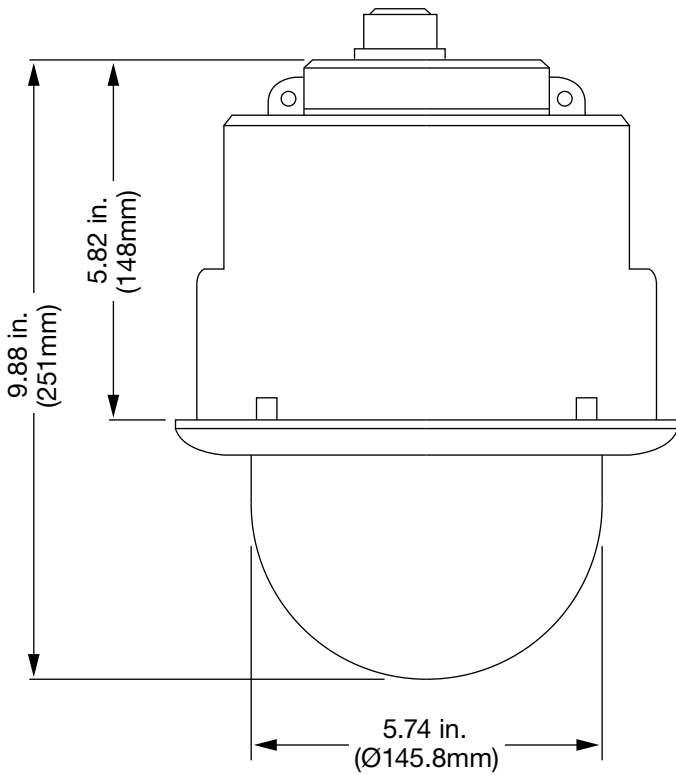
TVP-1101/3101  
TVP-1104/3104



TVP-1102/3102  
TVP-1105/3105



TVP-1103/3103  
TVP-1106/3106



# IP Megapixel PTZ Cameras

1.3 and 2.0MPx IP PTZ Cameras

North America  
T 855-286-8889

Latin America  
T 561-998-6114

## Ordering Information

### NTSC

|                 |   |
|-----------------|---|
| <b>TVP-3101</b> | TruVision® 1.3MPx, NTSC, Pan/Tilt/Zoom Dome Pendant Outdoor, CMOS, True D/N, DWDR, Motorized IR Cut Filter, H.264, ONVIF/PSIA, 20X Optical Zoom, SD Card Slot, PoE+/24VAC     |
| <b>TVP-3102</b> | TruVision 1.3MPx, NTSC, Pan/Tilt/Zoom Dome Surface Mount Indoor, CMOS, True D/N, DWDR, Motorized IR Cut Filter, H.264, ONVIF/PSIA, 20X Optical Zoom, SD Card Slot, PoE+/24VAC |
| <b>TVP-3103</b> | TruVision 1.3MPx, NTSC, Pan/Tilt/Zoom Dome Flush Mount Indoor, CMOS, True D/N, DWDR, Motorized IR Cut Filter, H.264, ONVIF/PSIA, 20X Optical Zoom, SD Card Slot, PoE+/24VAC   |
| <b>TVP-3104</b> | TruVision 2MPx, NTSC, Pan/Tilt/Zoom Dome Pendant Outdoor, CMOS, True D/N, DWDR, Motorized IR Cut Filter, H.264, ONVIF/PSIA, 20X Optical Zoom, SD Card Slot, PoE+/24VAC        |
| <b>TVP-3105</b> | TruVision 2MPx, NTSC, Pan/Tilt/Zoom Dome Surface Mount Indoor, CMOS, True D/N, DWDR, Motorized IR Cut Filter, H.264, ONVIF/PSIA, 20X Optical Zoom, SD Card Slot, PoE+/24VAC   |
| <b>TVP-3106</b> | TruVision 2MPx, NTSC, Pan/Tilt/Zoom Dome Flush Mount Indoor, CMOS, True D/N, DWDR, Motorized IR Cut Filter, H.264, ONVIF/PSIA, 20X Optical Zoom, SD Card Slot, PoE+/24VAC     |

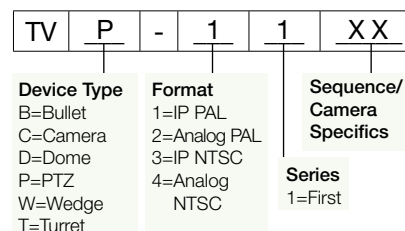
### PAL

|                 |  |
|-----------------|--|
| <b>TVP-1101</b> | TruVision 1.3MPx, PAL, Pan/Tilt/Zoom Dome Pendant Outdoor, CMOS, True D/N, DWDR, Motorized IR Cut Filter, H.264, ONVIF/PSIA, 20X Optical Zoom, SD Card Slot, PoE+/24VAC      |
| <b>TVP-1102</b> | TruVision 1.3MPx, PAL, Pan/Tilt/Zoom Dome Surface Mount Indoor, CMOS, True D/N, DWDR, Motorized IR Cut Filter, H.264, ONVIF/PSIA, 20X Optical Zoom, SD Card Slot, PoE+/24VAC |
| <b>TVP-1103</b> | TruVision 1.3MPx, PAL, Pan/Tilt/Zoom Dome Flush Mount Indoor, CMOS, True D/N, DWDR, Motorized IR Cut Filter, H.264, ONVIF/PSIA, 20X Optical Zoom, SD Card Slot, PoE+/24VAC   |
| <b>TVP-1104</b> | TruVision 2MPx, PAL, Pan/Tilt/Zoom Dome Pendant Outdoor, CMOS, True D/N, DWDR, Motorized IR Cut Filter, H.264, ONVIF/PSIA, 20X Optical Zoom, SD Card Slot, PoE+/24VAC        |
| <b>TVP-1105</b> | TruVision 2MPx, PAL, Pan/Tilt/Zoom Dome Surface Mount Indoor, CMOS, True D/N, DWDR, Motorized IR Cut Filter, H.264, ONVIF/PSIA, 20X Optical Zoom, SD Card Slot, PoE+/24VAC   |
| <b>TVP-1106</b> | TruVision 2MPx, PAL, Pan/Tilt/Zoom Dome Flush Mount Indoor, CMOS, True D/N, DWDR, Motorized IR Cut Filter, H.264, ONVIF/PSIA, 20X Optical Zoom, SD Card Slot, PoE+/24VAC     |

## Accessories

|                 |   |
|-----------------|---|
| <b>1060050A</b> | Pendant Adapter for PTZ, 1 1/4 NPT, Rubber Boot, UTC Gray (Used with Outdoor Pendant) |
| <b>GEA-102</b>  | Wall Mount, Cast Aluminum   |
| <b>GEA-104</b>  | Parapet Swing-Arm Mount   |
| <b>GEA-105</b>  | Corner-Mount Adapter  |
| <b>GEA-106</b>  | Pole-Mount Adapter  |
| <b>GEA-107</b>  | Roof-Mount Adapter  |

## IP/PTZ part number schema



interlogix.com

Specifications subject to change without notice.

© 2013 United Technologies Corporation.  
All rights reserved.

Interlogix is part of UTC Building & Industrial Systems,  
a unit of United Technologies Corporation.

310-3736 2013/12 (76475)