

LCD High-Resolution Color Monitors

26", 32" and 42"

OVERVIEW

For crystal-clear images designed to provide ideal security surveillance, UltraView™ LCD High-Resolution Monitors represent a leading video surveillance solution for a wide range of applications.

Available in 26-inch, 32-inch and 42-inch models, these high-performance LCD flat panel monitors come equipped with 3D comb filters with deinterlace for the highest-level picture quality, particularly when capturing motion video. With a color display up to 16.7 million colors and available 5000:1 contrast ratio, this line of monitors delivers extremely detailed images for optimum video surveillance. A panel lamp life of up to 60,000 hours ensures long-lasting security monitoring for a safe and secure environment.

STANDARD FEATURES

- LCD High-resolution monitors
- Comb filter (3D) improves video with motion
- Multi-language On-Screen Display (OSD) to 6 languages
- Multiple inputs including 2 x BNC In/Out, 1 x S-video In/Out, VGA and HDMI/DVI inputs
- Features HD (720P) support (UVM-2600 model) and Full HD (1080p) support (UVM-3200 and UVM-4200 models)
- Industrial metal housings with included desktop leg mounts



26" Monitor



32" Monitor



42" Monitor

LCD High-Resolution Color Monitors

Specifications

Description	UVM-2600	UVM-3200	UVM-4200
Screen Size	26"	32"	42"
Viewing Area	575.769 x 323.712 mm	697.685 x 392.256 mm	930.25 x 523.01 mm
Pixel Type	Active Matrix TFT	Active Matrix TFT	Active Matrix TFT
Max. Resolution	1366 x 768 (HD)	1920 x 1080 (Full HD)	1920 x 1080 (Full HD)
Pixel Pitch	0.4215 mm x 0.4215 mm	0.36375 mm x 0.36375 mm	0.4845 mm x 0.4845 mm
Brightness	450 cd/m ²	450 cd/m ²	500 cd/m ²
Contrast Ratio	3000:1	5000:1	1500:1
Aspect Ratio	16:9	16:9	16:9
Viewing Angle (H/V)	178°/178°	178°/178°	178°/178°
Display Color	16.7 Million	16.7 Million	16.7 Million
Response Time (Tr/Tf)	6.5 ms	6.5 ms	5 ms
Video System	NTSC/PAL	NTSC/PAL	NTSC/PAL
Panel Lamp Life	60,000 hours	60,000 hours	60,000 hours
Video In/Out (BNC type)	2/2	2/2	2/2
Audio In/Out	2/2	2/2	2/2
S-Video In/Out	1/1	1/1	1/1
VGA in (15Pin D-sub)	1	1	1
DVI in	1	1	1
Multi-lingual Language	English, French, German, Spanish, Italian, Polish	English, French, German, Spanish, Italian, Polish	English, French, German, Spanish, Italian, Polish
VESA™ Standard Compatible	Yes	Yes	Yes
Dimensions (WxHxD)	24.92 x 17.60 x 9.06 in. (633 x 445 x 230 mm)	30.16 x 22.55 x 9.06 in. (766 x 552 x 230 mm)	39.06 x 25.55 x 10.63 in. (992 x 649 x 270 mm)
Net Weight	30.9 lbs. (14 kg)	43.0 lbs. (19.5 kg)	69.9 lbs. (31.7 kg)
Gross Weight	39.0 lbs. (17.7 kg)	50.7 lbs. (23.0 kg)	79.7 lbs. (35.7 kg)
Finish/Stand	Black/Yes	Black/Yes	Black/Yes
VESA™ Mounts Size	100 x 100 mm and 200 x 100 mm	200 x 200 mm and 400 x 200 mm	200 x 200 mm and 400 x 200 mm
Power Consumption	<100W	<100W	<180W
Electrical Ratings	AC110 - 240V, 50/60Hz	AC110 - 240V, 50/60Hz	AC110 - 240V, 50/60Hz

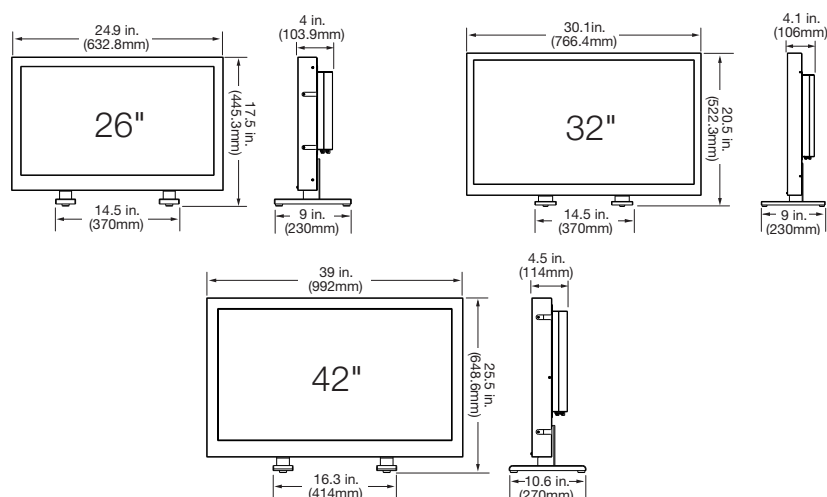
Comparison Guide

	Response Time	Color Display	Contrast Ratio	HDMI	Panel Lamp Life
UVM-2600	6.5 ms	16.7 million	3000:1	Yes	60,000 hours
UVM-3200	6.5 ms	16.7 million	5000:1	Yes	60,000 hours
UVM-4200	5 ms	16.7 million	1500:1	Yes	60,000 hours

Ordering Information

UVM-2600	UltraView™ 26" LCD, VGA, DVI, HDMI, BNC, Audio, HD (720P), 1366 x 768
UVM-3200	Ultraview 32" LCD, VGA, DVI, HDMI, BNC, Audio, Full HD (1080P), 1920 x 1080
UVM-4200	Ultraview 42" LCD, VGA, DVI, HDMI, BNC, Audio, Full HD (1080P), 1920 x 1080

Dimensional Diagrams



interlogix.com

Specifications subject to change without notice.

© 2012 Interlogix.
All rights reserved.
Interlogix is a part of UTC Climate, Controls & Security,
a unit of United Technologies Corporation.
210-3599 2012/11 (72347)