

IP Open Standards Outdoor Cameras

Dome and bullet cameras with motorized varifocal lens technology



OVERVIEW

TruVision™ IP and IP Megapixel Open Standards outdoor dome and bullet cameras bring state-of-the-art, high-definition images to the mass video surveillance market. Designed to adhere to PSIA and ONVIF open communication standards, these cameras also support a CGI command set for simple integration into any IP system. VGA and 1.3MPx resolution options provide the flexibility for a wide variety of applications.

Featuring innovative motorized varifocal lens technology, TruVision cameras allow the user to remotely adjust the varifocal lens length and focus the camera with the touch of a button. H.264 compression with dual-streaming capability makes it easy to manage the camera's bandwidth usage. Video streams can be set for high and low bandwidth and images can be streamed for live viewing or sent to a designated recording location.

An integrated browser and micro SDHC memory card storage capabilities (dome models) simplify remote, live monitoring/playback of edge-recorded video and audio. Memory card recording protects data in the event of network disruptions.

STANDARD FEATURES

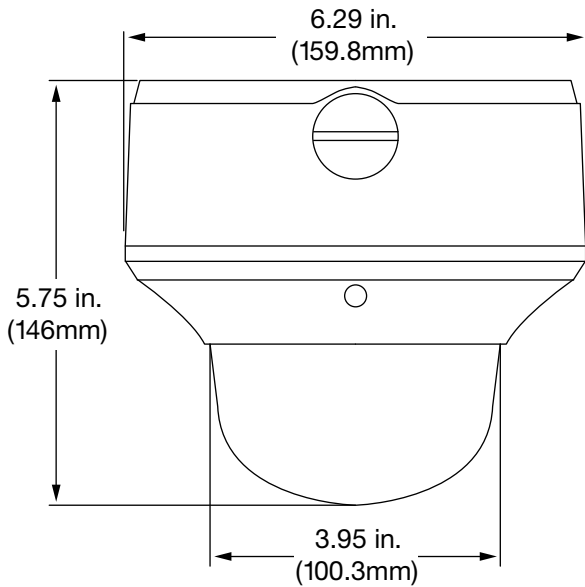
- VGA and 1.3MPx resolution options
- Motorized varifocal lens technology provides remote autofocus
- Designed to PSIA and ONVIF open standards
- 1.3MPx models feature WDR and real-time video streaming up to 720p resolution to capture every detail
- H.264 compression technology with dual-streaming capability accommodates multiple settings
- Dome models feature edge recording up to 32GB micro SDHC card for video playback
- All models offer true day/night functionality and infrared illuminators for capturing images in various lighting scenarios
- Integrated motion detection and privacy masking
- IP66 vandal-resistant housings
- Dome models feature external analog BNC video out connection for easier installation and setup
- Dome models feature integrated heater for low-temperature operation
- Included TruVision Device Finder program provides fast and easy access to newly added system devices

Application

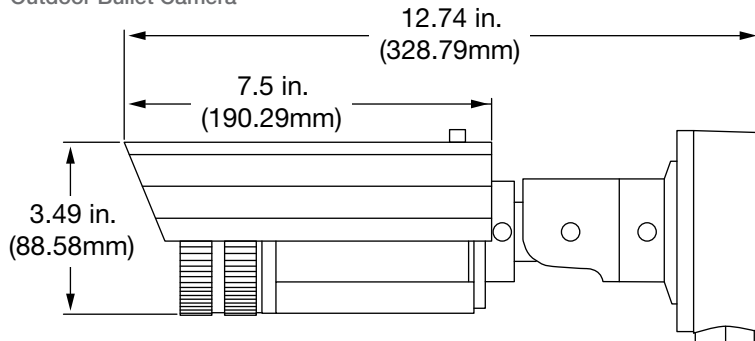
TruVision™ IP and IP Megapixel outdoor cameras are specifically designed for applications that require high-quality IP images. When paired with IP devices, these cameras provide ideal surveillance for environments such as retail, banking, education, airports or gaming, where detailed image capture is critical for effectively monitoring people and transactions.

Dimensional Diagrams





Outdoor Vandal Dome



Outdoor Bullet Camera



Specifications

| | PART NO. | TVD-N225E-2M-N (-P) | TVD-M1245E-2M-N (-P) | TVC-N225E-2M-N (-P) | TVC-M1245E-2M-N (-P) |
|--------------------------|------------------------------------|---|---|---|---|
| | Description |  |  |  |  |
| Camera | Sensor Size | 1/4" | 1/3" | 1/4" | 1/3" |
| | Resolution | VGA | 1.3 MPx | VGA | 1.3 MPx |
| | Sensor Scan | Progressive Scan | | | |
| | Sensor Type | CMOS | | | |
| | IP Compression/Standard | H.264/MPEG4/MJPEG | | | |
| | Maximum Resolution (@ FPS) | 640 x 480 (30/25fps) | 1280 x 960 (30/25fps) | 640 x 480 (30/25fps) | 1280 x 960 (30/25fps) |
| | Maximum Real-Time Resolution | 640 x 480 | 1280 x 960 | 640 x 480 | 1280 x 960 |
| | HD 720p | No | Yes | No | Yes |
| | Composite Output (BNC) | Yes | Yes | No | No |
| | Digital S/N Ratio | 60dB | 68.3dB | 60dB | 68.3dB |
| | Electronic Shutter | 1/25s to 1/100,000s | | | |
| Certification | CE/FCC/UL | | | | |
| Lighting Performance | Wide Dynamic Range | No | WDR | No | WDR |
| | WDR in dB | 82dB | 120dB | 82dB | 120dB |
| | Digital Noise Reduction | 2D | 3D | 2D | 3D |
| | Day/Night | IR cut filter with auto switch | | | |
| | Motorized IR Cut Filter | Yes | | | |
| | Color Sensitivity | 0.01Lux @ (F1.2, AGC On) | | | |
| | B/W Sensitivity | 0.01Lux @ (F1.2, AGC On) | | | |
| | IR Sensitivity | 0 Lux with IR | | | |
| | IR Range | 10 meters | | 25 meters | |
| | IR Wavelength | 850nm | | | |
| B/W Trigger | 3 Lux | | | | |
| IR Trigger | 3 Lux | | | | |
| Housing | Camera Type | Dome Camera | | Bullet Camera | |
| | IP Rating | IP66 | | | |
| | Outdoor | Yes | | | |
| | Rugged | Yes | | | |
| | Vandal Proof | Yes | | | |
| Lens | Control Type | Motorized | | | |
| | Focal Length | 2.8 - 12mm @ F1.2 | 2.7 - 9mm @ F1.6 | 2.8 - 12mm @ F1.2 | 2.7 - 9mm @ F1.6 |
| | Autoiris | DC Drive | | | |
| | Varifocal | Yes | | | |
| | Autofocus | Yes | | | |
| Power | Voltage Input | 24VAC | 24VAC | 12VDC | 12VDC |
| | Power Consumption | Max. 24W | | Max. 12W | |
| | PoE | PoE (802.3af) High PoE (802.3at) | PoE (802.3af) High PoE (802.3at) | PoE (802.3af) | PoE (802.3af) |
| Network | ONVIF | Yes | | | |
| | PSIA | Yes | | | |
| | CGI | Yes | | | |
| | Network Protocols | TCP/IP, HTTP, DHCP, DNS, DDNS, RTP, RTSP, PPPoE, SMTP, NTP | | | |
| Local Storage | Media | Built-in Micro SD | Built-in Micro SD | No | No |
| | Capacity | 32 GB | 32 GB | No | No |
| Camera Analytics | Motion Detection | Yes | | | |
| | Privacy Masking | Yes | | | |
| Mechanical/Environmental | Dimensions | 6.29 x 5.75 in. (159.8 x 146mm) | | 3.86 x 3.49 x 12.94 in. (98 x 88.58 x 328.78mm) | |
| | Weight | 2100 g (3.09 lbs) | | 1700 g (3.75 lbs) | |
| | Operating Temperature | -50°C to 60°C (-58°F - 140°F) with heater* | | -30°C to 60°C (-22°F - 140°F) | |
| | Operating Temperature (Cold Start) | -40°C to 60°C (-40°F - 140°F) with heater* | | -10°C to 60°C (-14°F - 140°F) | |

*Domes with heaters require 24VAC or PoE+ (802.3at) power input for heaters to function. Standard PoE (802.3af) can be used if heater function is not required.

IP Open Standards Outdoor Cameras

North America
T 855-286-8889

Asia
T 852-2907-8108

Australia
T 61-3-9239-1200

Europe
T 32-2-725-11-20

Latin America
T 561-998-6114

Dome and bullet cameras with motorized varifocal lens technology

Ordering Information

| | |
|-------------------------|---|
| TVD-N225E-2M-N | TruVision™ VGA IP Open STD, Progressive Scan CMOS Outdoor Vandal Dome, True D/N, 2.8-12mm Motorized AI, IR LED, ONVIF/PSIA, NTSC Out, PoE/PoE+/24VAC, Micro SD Card Slot, Heater |
| TVD-N225E-2M-P | TruVision VGA IP Open STD, Progressive Scan CMOS Outdoor Vandal Dome, True D/N, 2.8-12mm Motorized AI, IR LED, ONVIF/PSIA, PAL Out, PoE/PoE+/24VAC, Micro SD Card Slot, Heater |
| TVD-M1245-E-2M-N | TruVision 1.3MPX WDR IP Open STD, Progressive Scan CMOS Outdoor Vandal Dome, True D/N, 2.7-9mm Motorized AI, IR LED, ONVIF/PSIA, NTSC Out, PoE/PoE+/24VAC, Micro SD Card Slot, Heater |
| TVD-M1245-E-2M-P | TruVision 1.3MPX WDR IP Open STD, Progressive Scan CMOS Outdoor Vandal Dome, True D/N, 2.7-9mm Motorized AI, IR LED, ONVIF/PSIA, PAL Out, PoE/PoE+/24VAC, Micro SD Card Slot, Heater |
| TVC-N225E-2M-N | TruVision VGA Open STD, Progressive scan CMOS Outdoor Bullet, True D/N, 2.8-12mm Motorized AI, IR LED, ONVIF/PSIA, NTSC Frame Rate, PoE/12VDC |
| TVC-N225E-2M-P | TruVision VGA IP Open STD, Progressive Scan CMOS Outdoor Bullet, True D/N, 2.8-12mm Motorized AI, IR LED, ONVIF/PSIA, NTSC Frame Rate, PoE/12VDC |
| TVC-M1245-E-2M-N | TruVision 1.3MPX WDR IP Open STD, Progressive Scan CMOS Outdoor Bullet, True D/N, 2.7-9mm Motorized AI, IR LED, ONVIF/PSIA, PAL Frame Rate, PoE/12VDC |
| TVC-M1245-E-2M-P | TruVision 1.3MPX WDR IP Open STD, Progressive Scan CMOS Outdoor Bullet, True D/N, 2.7-9mm Motorized AI, IR LED, ONVIF/PSIA, PAL Frame Rate, PoE/12VDC |



interlogix.com

Specifications subject to change without notice.

© 2012 Interlogix.
All rights reserved.
Interlogix is a part of UTC Climate, Controls & Security,
a unit of United Technologies Corporation.
210-3601 2012/10 (72342)