

Camera Mounts

Mini-dome and Wedge Cameras



OVERVIEW

TruVision® camera mounts are part of a modular system that allows users to mount TruVision cameras in a variety of positions to meet the needs of each application. TruVision camera mounts are designed for use with wedge and mini-dome cameras and feature rugged construction suitable for indoor and outdoor environments. Compatible cameras include TruVision wedge domes, TVD analog dome cameras, TVD IP indoor dome cameras, UltraView® UVD cameras and TVD series IP outdoor cameras.

STANDARD FEATURES

- Compatible with Interlogix mini-dome and wedge form factor cameras
- Rugged aluminum construction
- Gray color (Pantone 428c) to match Interlogix domes
- Integrated cable management
- Suitable for outdoor and indoor use

Fixed Dome Cameras By Bracket

Class	Camera SKU	Flush-mount	Wall-mount					Pendant/ceiling-mount				Pole-mount				Suitable for outdoor / indoor
			TVD-SNB				TVD-M2-WM	TVD-PPB			TVD-M-PMA			TVD-M-PMA		
			TVD-M2-FM	TVD-CB2 & TVD-M2-WEBM	TVD-CB3	TVD-CB5A		TVD-CB2 & TVD-M2-WEBM	TVD-CB3	TVD-CB5	TVD-CB5A	TVD-CB2 & TVD-M2-WEBM	TVD-CB3		TVD-CB5	
Analog	TVD-2101															Outdoor
Analog	TVD-4102															Outdoor
Analog	TVD-5110-3-N(P)															Indoor
Analog	TVD-5125TE-3-N(P)															Outdoor
Analog	TVD-6120VE-2-N(P)															Outdoor
Analog	UVD-6120VE-N(P)															Outdoor
Analog	UVD-6120VE-2-N(P)															Outdoor
Analog	UVD-6130VE-2-N(P)															Outdoor
Analog	UVD-XP4DNR-VA2-N(P)															Outdoor
Analog	UVD-XP4DNR-VA9-N(P)															Outdoor
Analog	TWV-2101															Outdoor
Analog	TWV-4101															Outdoor

IP	TVD-1103															Outdoor
IP	TVD-3103															Outdoor
IP	TVD-1104															Outdoor
IP	TVD-3104															Outdoor
IP	TWV-1101															Outdoor
IP	TWV-1102															Outdoor
IP	TWV-3101															Outdoor
IP	TWV-3102															Outdoor
IP	TVD-M1210W-2B-N(P)															Indoor
IP	TVD-M1210W-2W-N(P)															Indoor
IP	TVD-M1210W-2-N(P)															Outdoor
IP	TVD-M1210V-2-N(P)															Indoor
IP	TVD-M1225V-2-N(P)															Indoor
IP	TVD-M1245E-2M-N(P)															Outdoor Flush-mount included
IP	TVD-M2210V-2-N(P)															Indoor
IP	TVD-M2210W-4-N(P)															Outdoor
IP	TVD-M2225V-2-N(P)															Indoor
IP	TVD-M3210V-2-N(P)															Indoor
IP	TVD-M3225V-2-N(P)															Indoor
IP	TVD-M3245E-2M-N(P)															Outdoor
IP	TVD-M5225E-3M-N(P)															Outdoor
IP	TVD-M5225V-4-N(P)															Indoor
IP	TVD-N210V-2-N(P)															Indoor
IP	TVD-N210W-4-N(P)															Outdoor
IP	TVD-N225E-2M-N(P)															Outdoor Flush-mount included
IP	TVD-N245V-2-N(P)															Indoor
IP	UVD-IP-XP4DNR-VA2-N(P)															Outdoor
IP	UVD-IP-XP4DNR-VA9-N(P)															Outdoor

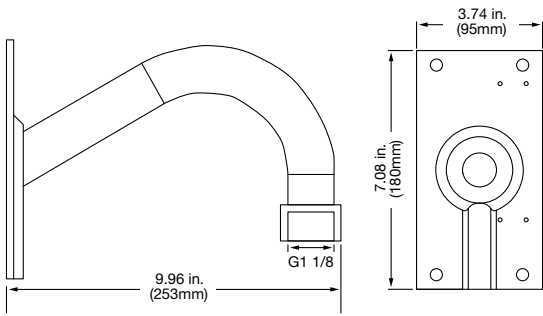
Pipe Threading Information

Pipe thread size	Threads (in.)	Pitch (mm)	Thread major diameter		Corresponding pipe				Tapping drill size (mm)
			(mm)	(in.)	DN	OD (mm)	OD (in.)	Thickness (mm)	
G1	11	2.309	33.249	1.309	25	33.7	1.33	3.2	30.75

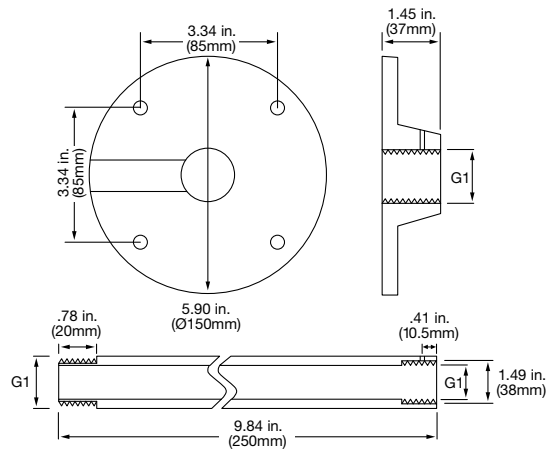
Note: Mates with 1" NPT Pipe.

Dimensional Diagrams

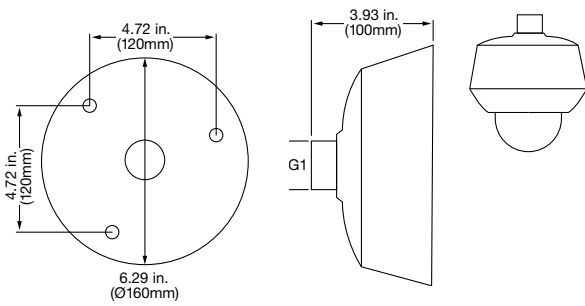
TVD-SNB Swan Neck Bracket



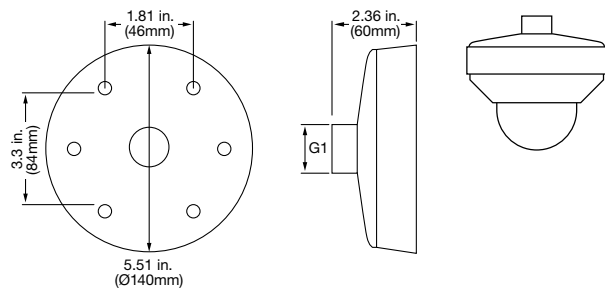
TVD-PPB Pendant Ceiling Bracket



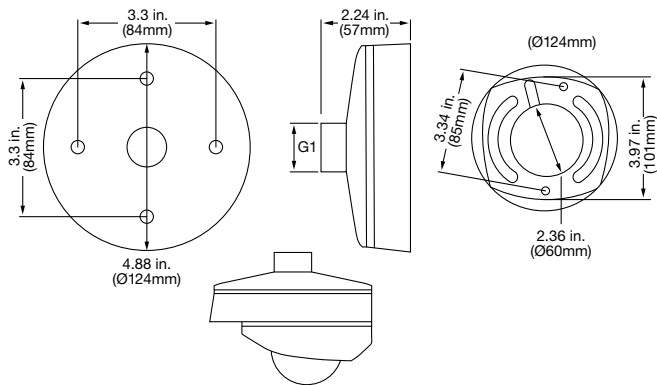
TVD-CB5A Integrated 5" Cup Base



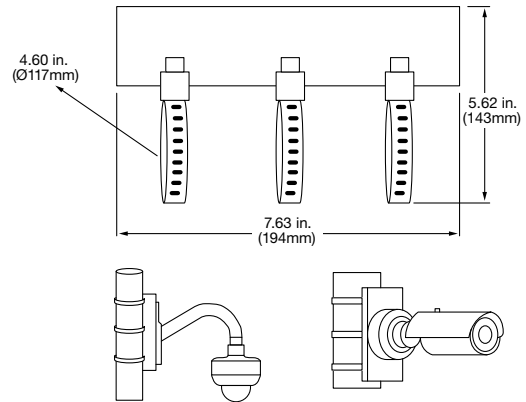
TVD-CB3 3" Cup Base



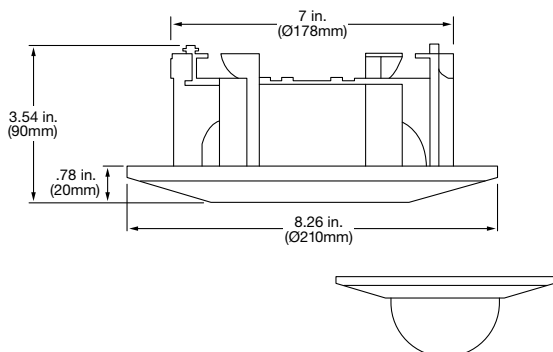
TVD-CB2 2" Cup Base



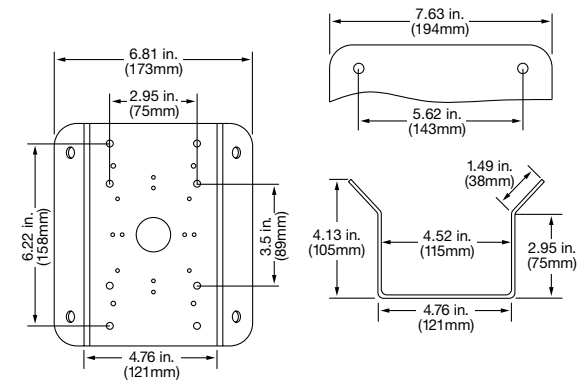
TVD-M-PMA Pole Mount Adaptor



TVD-M2-FM Flush Mount (use w/Open Standard Series Indoor TVD-IP Domes)



TVD-M-CMA Corner Mount Adaptor



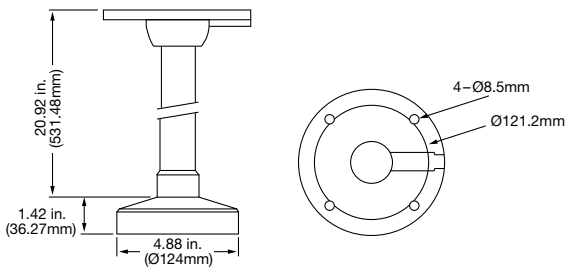
Camera Mounts

Mini-dome and Wedge Cameras

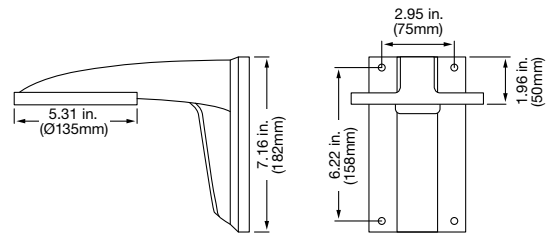
North America
T 855-286-8889

Latin America
T 561-998-6114

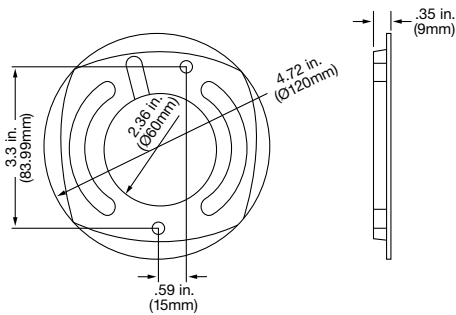
TVD-M2-PNDT TV Dome Pendant Mount



TVD-M2-WM TV Dome Wall Mount



TVD-M2-WEBM TV Wedge Mini-dome Electrical Box Adaptor



Specifications

SKU	Dimensions	Weight
TVD-SNB	253 × 95 × 180 mm	490 g (1.2 lb)
TVD-PPB	Ø 150 × 267 mm	1169 g (2.56 lb)
TVD-M2-FM	Ø 210 × 90 mm	540 g (1.19 lb)
TVD-M-CMA	173 × 194 × 105 mm	945 g (2.1 lb)
TVD-M-PMA	117 × 194 × 143 mm	1205 g (2.66 lb)
TVD-M2-PNDT	568 × 124 × 124 mm	1360 kg (3.0 lb)
TVD-M2-WEBM	Ø120 × 9 mm	25 g (0.05 lb)
TVD-M2-WM	135 × 182 × 251 mm	580 g (1.28 lb)
TVD-CB5A	Ø 160 × 100 mm	340 g (0.75 lb)
TVD-CB3	Ø 140 × 60 mm	320 g (0.71 lb)
TVD-CB2	Ø 124 × 57 mm	190 g (0.42 lb)

Ordering Information

TVD-SNB	TruVision® Dome Swan Neck Bracket (use w/TVD-CB3, TVD-CB2)
TVD-PPB	TruVision Dome Pendant-Mount Bracket (use w/TVD-CB3, TVD-CB2)
TVD-CB5A	TruVision Integrated Dome 5" Cup Base (use w/TruVision IP Outdoor Dome Cameras; TVD-SNB; TVD-PPB)
TVD-CB3	TruVision Dome 3" Cup Base (use w/UVD and TVD-6 Series Analog Domes, Indoor TVD-IP; TVD-SNB; TVD-PPB)
TVD-CB2	TruVision Dome 2" Cup Base, Requires TVD-M2-WEBM (use w/TVD Low Profile Wedge Mini-domes; TVD-SND; TVD-PPB)
TVD-M-PMA	TruVision Pole Mount Adaptor (use w/TVD-SNB or TVC-IP Bullet Cameras)
TVD-M2-FM	TruVision Indoor Flush Mount (use w/Open Standard Series Indoor TVD-IP Domes)
TVD-M-CMA	TruVision Corner Mount Adaptor for TVD-SNB (or TVC-IP Bullet Cameras)
TVD-M2-PNDT	TruVision Pendant Mount (use w/TVD-CB3, TVD-CB2)
TVD-M2-WM	TruVision Dome Wall Mount (use w/Open Standard Series Indoor TVD-IP Domes)
TVD-M2-WEBM	TruVision Wedge Mini-dome Electrical Box Adaptor

Specifications subject to change without notice.

© 2014 United Technologies Corporation. All rights reserved.
Interlogix is part of UTC Building & Industrial Systems, a unit of United Technologies Corporation.

310-3743 2014/02 (76186)



interlogix.com