

Indoor Dome Cameras

High-res, varifocal lens cameras



OVERVIEW

The TruVision™ Indoor Dome Camera provides outstanding video surveillance performance while offering a cost-effective security solution. Equipped with a varifocal lens and engineered for superior resolution, this camera delivers crisp, detailed images while being flexible enough to meet the demands of most indoor applications.

Small and lightweight, the TruVision indoor dome camera represents a strong value for users looking for reliable security in smaller venues. With a 600 TVL sensor and 2.6mm to 6.0 mm varifocal auto-iris lens, this camera is well-suited to secure a variety of applications including quick-service restaurants, retail and small business environments.

STANDARD FEATURES

- Superior image performance
- 600 TVL sensor resolution
- Sensitivity: 0.2 lux @ 2.0
- Varifocal auto-iris lens: 2.6 mm to 6.0 mm
- Lightweight plastic enclosure
- 12 VDC/24 VAC

Indoor Dome Cameras

High-res, varifocal lens cameras

North America
T 855-286-8889

Asia
T 852-2907-8108

Australia
T 61-3-9239-1200

Europe
T 32-2-725-11-20

Latin America
T 561-998-6114

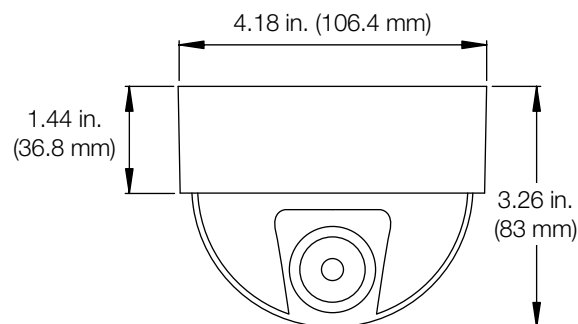
Specifications

Pickup Device	1/3" CCD sensor
Total Pixels (H x V)	NTSC: 811 x 508; PAL: 795 x 596
Effective Pixels (H x V)	NTSC: 768 x 494; PAL: 752 x 582
Resolution	600 TVL
Synchronization	Internal
Scanning Mode	2:1 Interface
S/N Ratio	>48 dB
Electronic Shutter	Auto 1/60 (1/50)
Min. Illumination	0.2 lux at f1.2
Video Output	1.0 Vp-p/75 ohm composite
Lens Type	2.6 to 6 mm Varifocal lens
Power Source	12 VDC/24 VAC
Current	210 mA
Power Consumption	Max. 2.5 W
Operating Temperature	-10 to 50° C (14 to 122° F)
Weight	225 g (0.49 lb.)

Ordering Information

TVD-DOME6-HR	TruVision™ 600 TVL Color Dome camera, 2.6mm–6mm Varifocal lens, 12 VDC/24 VAC, NTSC
TVD-DOME6-HR-P	TruVision 600 TVL Color Dome camera, 2.6mm–6mm Varifocal lens, 12 VDC/24 VAC, PAL

Dimensional Diagram



Specifications subject to change without notice.

© 2012 Interlogix. All rights reserved.

208-3554 2012/08 (71424)



interlogix.com