

Rugged Dome Camera

High-res, 600 TVL Camera

OVERVIEW

The TruVision™ Rugged Dome Camera offers high-resolution video and multiple features that make it well suited to a variety of applications. Utilizing the latest CCD and DSP technologies, the camera delivers 600 TVL resolution and 0.01 lux sensitivity for outstanding performance. A built-in IR illuminator (on TVD-6125 models) provides details within the field of view even when no other illumination is applied.

Equipped with Digital Noise Reduction capabilities, the TruVision rugged dome camera offers excellent video quality even under variable and harsh light conditions. Its Adaptive Tone Reproduction (ATR) reveals details under wide dynamic range conditions, while Highlight Compensation (HLC) technology suppresses intense situations such as bright vehicle headlights.

A varifocal lens and removable IR cut filter that provides true day/night surveillance makes the TruVision rugged dome camera ideal for both indoor and outdoor applications. Its weatherproof, vandal-resistant enclosure offers additional durability and reliable value.



STANDARD FEATURES

- Over 600 TVL resolution
- True day/night (removable IR cut filter)
- Adaptive Tone Reduction (ATR) provides superior video quality under wide dynamic light conditions
- Highlight compensation (HLC) technology suppresses bright headlights
- Digital Noise Reduction (DNR) for enhanced security
- Varifocal lens: 2.8 to 12 mm @ f1.4
- OSD menus for easy camera configuration onsite
- 3-axis gimbal bracket
- IP66 rating for weather-resistant performance
- Vandal-resistant, rugged enclosure
- 12 VDC or 24 VAC power input
- Adapter plate included for electrical gang boxes

Rugged Dome Camera

High-res, 600 TVL Camera

North America
T 855-286-8889

Asia
T 852-2907-8108

Australia
T 61-3-9239-1200

Europe
T 32-2-725-11-20

Latin America
T 561-998-6114

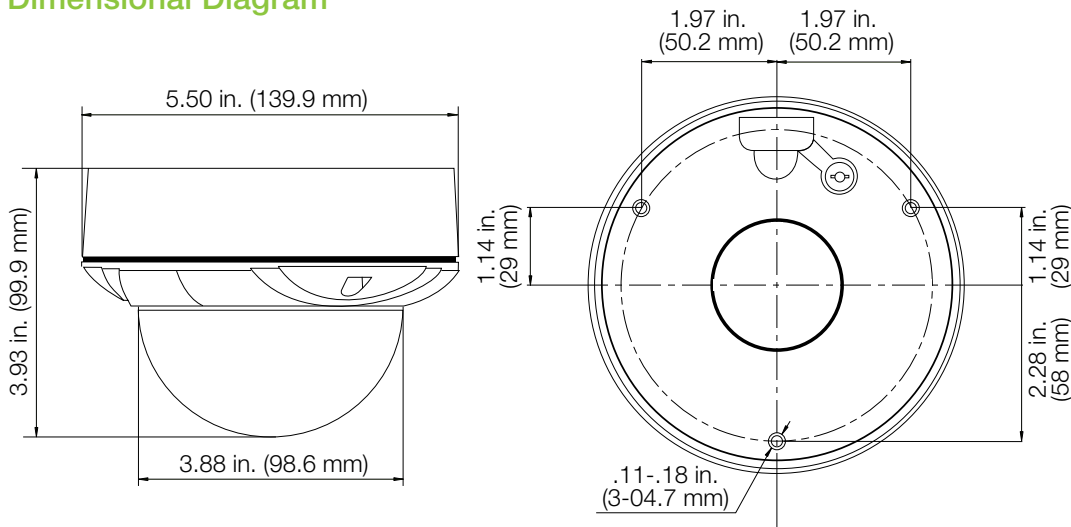
Specifications

| Model | TVD-6120VE-2-N (-P) | TVD-6125VE-2-N (-P) |
|------------------------------------|--|--------------------------|
| Pickup Device | 1/3" Super HAD CCD II | |
| Total Pixels (H x V) | NTSC: 811 x 508 / PAL: 795 x 596 | |
| Effective Pixels | NTSC: 768 x 494 / PAL: 752 x 582 | |
| Resolution | 600 TVL | |
| Synchronization System | Internal/Line up | |
| Scanning Mode | 2:1 interlace | |
| IR Cut | Yes | |
| S/N Ratio | 52 dB (AGC OFF) | |
| Electronic Shutter | PAL: 1/50 s to 1/10,000 s NTSC: 1/60s to 1/10,000 s | |
| Minimum Illumination | 0.01 lux (f1.2, AGC x1) | 0.00 lux IR On |
| IR Illumination Range | NA | 20 to 30m (66 to 99 ft.) |
| Video Output | 1 Vp-p composite output (75 Ω/BNC) | |
| White Balance | ATW/PUSH/USER1/USER2/ANTI CR/MANUAL/PUSH LOCK | |
| Lens Type | 2.8 to 12 mm at F1.4 Angle of view: 91° to 30° | |
| Wide Dynamic Range | ATR | |
| Digital Noise Reduction | 2DNR | |
| Highlight Compensation | HLC | |
| Motion Detection | Yes: 4 separate monitor areas | |
| Privacy Mask | Yes: 8 mask areas (4 when motion detection is ON) | |
| Power Supply | 24 VAC / 12 VDC | 24 VAC / 12 VDC |
| Current | 290 mA | 375 mA |
| Power Consumption | Max. 3.5 W | Max. 4.5 W |
| Operating Temperature | -30 to +50°C (-22 to 122°F) | |
| Operating Temperature (cold start) | -10 to +50°C (14 to 122°F) | |
| Weight | 800 g (1.76 lbs) | |

Ordering Information

| | |
|-----------------------|--|
| TVD-6120VE-2-N | TruVision Rugged Dome Camera, 600 TVL, BNC, 12 VDC/24 VAC, NTSC |
| TVD-6125VE-2-N | TruVision Rugged Dome Camera, 600 TVL, BNC, IR illumination, 12 VDC/24 VAC, NTSC |
| TVD-6120VE-2-P | TruVision™ Rugged Dome Camera, 600 TVL, BNC, 12 VDC/24 VAC, PAL |
| TVD-6125VE-2-P | TruVision Rugged Dome Camera, 600 TVL, BNC, IR illumination, 12 VDC/24 VAC, PAL |

Dimensional Diagram



Specifications subject to change without notice.

© 2012 Interlogix. All rights reserved.

208-3553 2012/09 (71412C)



interlogix.com