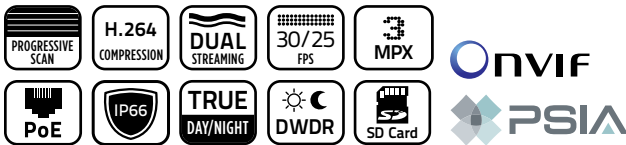


# IP Open Standards Cameras

1.3 and 3MPx IP Dome and Bullet IR Cameras



## OVERVIEW

TruVision® IP Megapixel Open Standards dome and bullet cameras bring state-of-the-art, high-definition images to the mass video surveillance market. Designed to adhere to PSIA and ONVIF open communication standards, these cameras also support a CGI command set for simple integration into any IP system. 1.3 and 3MPx resolution options provide the flexibility for a wide variety of applications.

An integrated browser and micro SD memory card storage capabilities (dome models) simplify remote, live monitoring/playback of edge-recorded video and audio. Memory card recording protects data in the event of network disruptions.



## STANDARD FEATURES

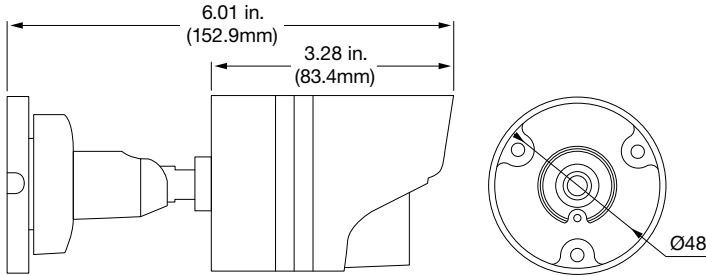
- 1.3 and 3MPx resolution options
- Designed to PSIA and ONVIF open standards
- Select models feature DWDR and/or real-time video streaming up to 1080p resolution to capture every detail
- H.264 compression technology with dual-streaming capability accommodates multiple settings
- Dome models feature edge recording up to 64GB micro SD card for video playback (card not included)
- Select models offer true day/night functionality and infrared illuminators for capturing images in various lighting scenarios
- Integrated motion detection and privacy masking
- IP66 rating
- Bullet models feature an innovative cable management and bracketing system
- Included TruVision Device Finder program provides fast and easy access to newly added system devices

## Application

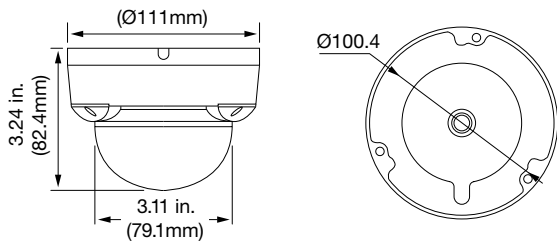
TruVision® IP Megapixel cameras are specifically designed for applications that require high-quality IP images. When paired with IP devices, these cameras provide ideal surveillance for environments such as retail, banking, education, airports or gaming, where detailed image capture is critical for effectively monitoring people and transactions.

## Dimensional Diagrams

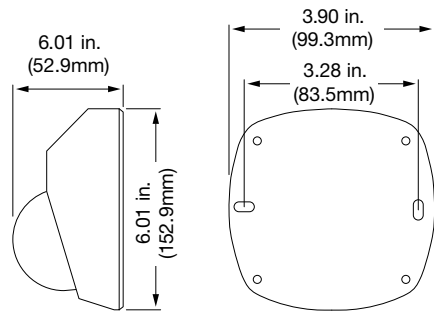
TVB-1101/3101, TVB-1102/3102



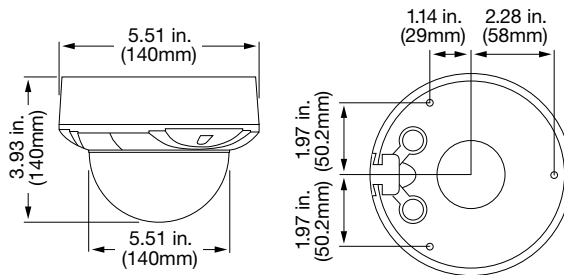
TVD-1101/3101, TVD-1102/3102



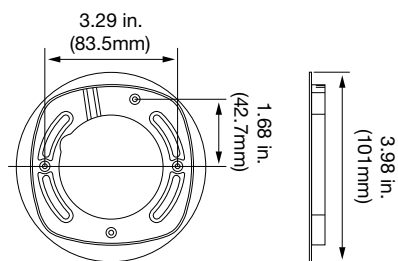
TVW-1101/3101, TVW-1102/3102



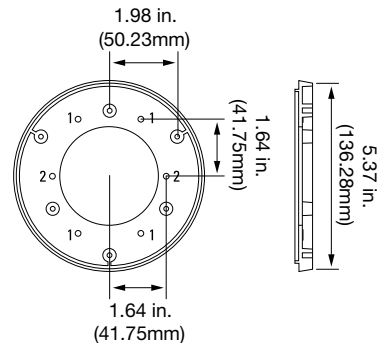
TVD-1103/3103, TVD-1104/3104







## Mounting Plate



## Mounting Plate



# Specifications

PART NO.	TVB-1101/3101 TVB-1102/3102	TVW-1101/3101 TVW-1102/3102	TVD-1101/3101 TVD-1102/3102	TVD-1103/3103 TVD-1104/3104	
Description					
Camera	Sensor Size	1/3"			
	SD/MPx	1.3MPx/3MPx			
	Sensor Scan	Progressive Scan			
	Sensor Type	CMOS			
	IP Compression/Standard	H.264/MJPEG			
	Maximum Resolution (@ FPS)	1280x960 (25fps/30fps) / 2048x1536 (12.5fps/15fps)			
	Maximum Real-Time Resolution	1280 × 960/1920 × 1080			
	HD 720p	720P/1080P			
	Composite Output	No	No	BNC	No
	S/N Ratio	50dB			
	Electronic Shutter	1/3s ~ 1/100,000s			
	Certification	UL, CE, FCC, C-tick, REACH, RoHS, HALT, WEEE			
	Lighting Performance	Wide Dynamic Range	DWDR		
WDR in dB		72dB			
Digital Noise Reduction		3D			
Day/Night		IR cut filter with auto switch	IR cut filter with auto switch	Fixed IR cut filter	IR cut filter with auto switch
Motorized IR Cut Filter		Yes	Yes	No	Yes
Color Sensitivity		0.01Lux @ (F1.2, AGC On)			
B/W Sensitivity		0 Lux with IR	0 Lux with IR	0.01Lux @ (F1.2, AGC On)	0 Lux with IR
IR Sensitivity		0 Lux with IR	0 Lux with IR	NA	0 Lux with IR
IR Range		82 ft. (25 m)	33 ft. (10m)	NA	49 ft. (15 m)
IR Wavelength		850nm	850nm	NA	850nm
Housing	Camera Type	Bullet Camera	Low Profile Dome Camera	Dome Camera	Dome Camera
	Ratings	IP66	IP66 and IK08	NA	IP66 and IK10
	Outdoor	Yes	Yes	No	Yes
	Vandal Resistant	No	Yes	No	Yes
Lens	Control Type	Fixed	Fixed	Fixed	VF Manual
	Focal Length	6 mm @ F2.0	2.8 mm @ F2.0	2.8 mm @ F2.0	2.8 – 12 mm @ F1.4
	Autoiris	NA	NA	NA	Yes
	Varifocal	No	No	No	Yes
Power	Voltage Input	12VDC	12VDC	NA	12VDC
	Power Consumption	Max. 5W	Max. 5W	Max. 5W	Max. 5.5W
	PoE	PoE (802.3af)			
Network	Bit Rate	128 Kbps ~ 8 Mbps/16Mbps			
	ONVIF	Yes			
	PSIA	Yes			
	CGI	Yes			
	Network Protocols	TCP/IP, HTTP, DHCP, DNS, DDNS, RTP, RTSP, PPPoE, SMTP, NTP, UPnP, SNMP, HTTPS, FTP, 802.1x, Qos, IPv4/IPv6			
Local Storage	Media	NA	Built-in Micro SD	NA	Built-in Micro SD
	Capacity	NA	64 GB	NA	64 GB
Others	Alarm	NA	NA	NA	1 input/1output
	Audio	NA	NA	NA	Bi-directional
Camera Analytics	Motion Detection	Yes			
	Privacy Masking	Yes			
Mechanical/ Environmental	Dimensions	Ø 60 × 153 mm	99 × 97 × 53 mm	Ø 111 × 82 mm	Ø 140 × 100 mm
	Weight	373g	407g	370g	767g
	Operating Temp. (Cold Start)	-30°C – 60°C (-22°F – 140°F)			
	Adapter Mounting Plates	N/A	Converter pan included	N/A	Mounting plate included

# IP Open Standards Cameras

North America  
T 855-286-8889

Latin America  
T 561-998-6114

1.3 and 3MPx IP Dome and Bullet IR Cameras

## Ordering Information

### NTSC

<b>TVB-3101</b>	TruVision® 1.3MPx, NTSC, Outdoor IR Mini Bullet, True D/N, H.264, PSIA/ONVIF/CGI, 25m IR, 6mm @ F2.0, PoE/12VDC
<b>TVB-3102</b>	TruVision 3MPx, NTSC, Outdoor IR Mini Bullet, True D/N, H.264, PSIA/ONVIF/CGI, 25m IR, 6mm @ F2.0, PoE/12VDC
<b>TVD-3101</b>	TruVision 1.3MPx, NTSC, Indoor Mini Dome, Digital D/N, H.264, PSIA/ONVIF/CGI, 2.8mm @ F2.0, PoE/not support 12VDC
<b>TVD-3102</b>	TruVision 3MPx, NTSC, Indoor Mini Dome, Digital D/N, H.264, PSIA/ONVIF/CGI, 2.8mm @ F2.0, PoE/not support 12VDC
<b>TVD-3103</b>	TruVision 1.3MPx, NTSC, Outdoor IR Mini Dome, True D/N, H.264, PSIA/ONVIF/CGI, 15m IR, 2.8 to 12mm @ F1.4, PoE/12VDC
<b>TVD-3104</b>	TruVision 3MPx, NTSC, Outdoor IR Mini Dome, True D/N, H.264, PSIA/ONVIF/CGI, 15m IR, 2.8 to 12mm @ F1.4, PoE/12VDC
<b>TVW-3101</b>	TruVision 1.3MPx, NTSC, Outdoor IR Wedge Dome, True D/N, H.264, PSIA/ONVIF/CGI, 10m IR, 2.8mm @ F2.0, PoE/12VDC
<b>TVW-3102</b>	TruVision 3MPx, NTSC, Outdoor IR Wedge Dome, True D/N, H.264, PSIA/ONVIF/CGI, 10m IR, 2.8mm @ F2.0, PoE/12VDC

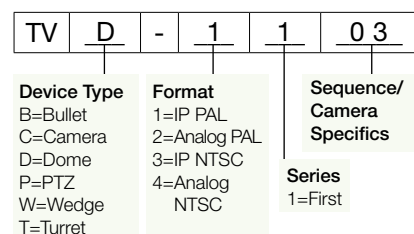
### PAL

<b>TVB-1101</b>	TruVision 1.3MPx, PAL, Outdoor IR Mini Bullet, True D/N, H.264, PSIA/ONVIF/CGI, 25m IR, 6mm @ F2.0, PoE/12VDC
<b>TVB-1102</b>	TruVision 3MPx, PAL, Outdoor IR Mini Bullet, True D/N, H.264, PSIA/ONVIF/CGI, 25m IR, 6mm @ F2.0, PoE/12VDC
<b>TVD-1101</b>	TruVision 1.3MPx, PAL, Indoor Mini Dome, Digital D/N, H.264, PSIA/ONVIF/CGI, 2.8mm @ F2.0, PoE/not support 12VDC
<b>TVD-1102</b>	TruVision 3MPx, PAL, Indoor Mini Dome, Digital D/N, H.264, PSIA/ONVIF/CGI, 2.8mm @ F2.0, PoE/not support 12VDC
<b>TVD-1103</b>	TruVision 1.3MPx, PAL, Outdoor IR Mini Dome, True D/N, H.264, PSIA/ONVIF/CGI, 15m IR, 2.8 to 12mm @ F1.4, PoE/12VDC
<b>TVD-1104</b>	TruVision 3MPx, PAL, Outdoor IR Mini Dome, True D/N, H.264, PSIA/ONVIF/CGI, 15m IR, 2.8 to 12mm @ F1.4, PoE/12VDC
<b>TVW-1101</b>	TruVision 1.3MPx, PAL, Outdoor IR Wedge Dome, True D/N, H.264, PSIA/ONVIF/CGI, 10m IR, 2.8mm @ F2.0, PoE/12VDC
<b>TVW-1102</b>	TruVision 3MPx, PAL, Outdoor IR Wedge Dome, True D/N, H.264, PSIA/ONVIF/CGI, 10m IR, 2.8mm @ F2.0, PoE/12VDC

## Accessories

<b>TVD-SNB</b>	TruVision Dome Swan Neck Bracket (use w/TVD-CB3, TVD-CB2)
<b>TVD-PPB</b>	TruVision Dome Pendant-Mount Bracket (use w/TVD-CB3, TVD-CB2)
<b>TVD-CB5A</b>	TruVision Integrated Dome 5" Cup Base (use w/TruVision IP Outdoor Dome Cameras; TVD-SNB; TVD-PPB)
<b>TVD-CB3</b>	TruVision Dome 3" Cup Base (use w/UVD and TVD-6 Series Analog Domes, Indoor TVD-IP; TVD-SNB; TVD-PPB)
<b>TVD-CB2</b>	TruVision Dome 2" Cup Base, Requires TVD-M2-WEBM (use w/TVD Low Profile Wedge Mini Domes; TVD-SNB; TVD-PNB)
<b>TVD-M-PMA</b>	TruVision Pole Mount Adapter (use w/TVD-SNB or TVC-IP Bullet Cameras)
<b>TVD-M2-FM</b>	TruVision Indoor Flush Mount (use w/Open Standard Series Indoor TVD-IP Domes)
<b>TVD-M-CMA</b>	TruVision Corner Mount Adaptor for TVD-SNB (or TVC-IP Bullet Cameras)
<b>TVD-M2-PNDT</b>	TruVision Dome Pendant Mount (use w/TVD-CB3, TVD-CB2)
<b>TVD-M2-WM</b>	TruVision Dome Wall Mount (use w/Open Standard Series Indoor TVD-IP Domes)
<b>TVD-M2-WEBM</b>	TruVision Wedge Mini Dome Electrical Box Adaptor

## IP/Megapixel part number schema



interlogix.com

Specifications subject to change without notice.

© 2013 United Technologies Corporation.  
All rights reserved.

Interlogix is a part of UTC Building & Industrial Systems,  
a unit of United Technologies Corporation.  
310-3735 2013/11 (76368)