

TruVision® Line 960H Premium Resolution IR Cameras

A complete line of 700TVL resolution infrared cameras ideal for a wide range of indoor and outdoor applications



OVERVIEW

The TruVision® line includes a comprehensive family of 960H premium resolution infrared (IR) cameras for stand-alone or integrated installations, designed for optimal image quality. Ideal for surveillance system installations ranging from convenience stores to retail mall parking lots, the TruVision IR line has the right cameras for your job and can help you stay within budget constraints without compromising security needs. These cameras can see in total darkness, providing color images by day and black-and-white images under IR operation in low-light applications.

Form factors include wedge, turret and traditional bullet cameras. Turret models allow for ceiling or wall mounting while still maintaining a level field of view. Single gang adaptor plates are included with the turret models, while the bullet models offer a familiar form factor that features a pre-installed wall mount with cable pass management. TruVision IR turret and bullet cameras are also available in fixed lens and varifocal lens models with true day/night capabilities.

All TruVision IR cameras are designed to install quickly and easily, right out of the box, so you can be up and running in no time. For superior quality and performance, Interlogix delivers the level of products you'd expect from a leader in the video surveillance market.

STANDARD FEATURES

- High resolution 700TVL
- Multiple varifocal and fixed lens versions with balanced IR illumination for optimal viewing
- IP66 and IP67 rating weather-resistant enclosures
- Removable IR Cut Filters, offering accurate focus in both day and night conditions
- Integrated bracket with hidden cable management

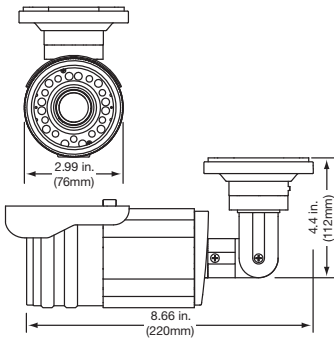
APPLICATION

Built for long-lasting service and plug-and-play functionality, the TruVision® IR line provides a value-based solution that is ideal for applications ranging from residential to office buildings.

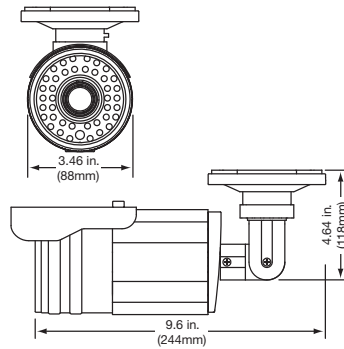
Designed for low-light and complete-darkness environments, TruVision cameras' balanced IR capabilities offer the perfect camera for each situation. With weather-resistant options that are well suited for indoor and outdoor applications, TruVision cameras represent sensible, secure video surveillance you can depend on.

DIMENSIONAL DIAGRAMS

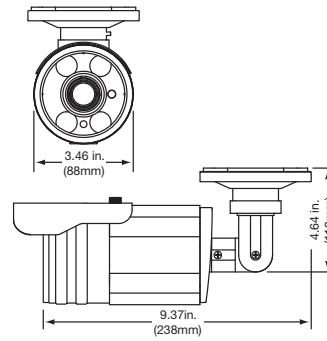
TVB-4102, TVB-2102



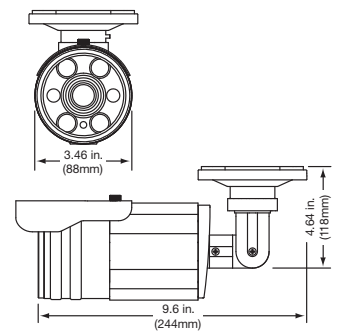
TVB-4103, TVB-2103



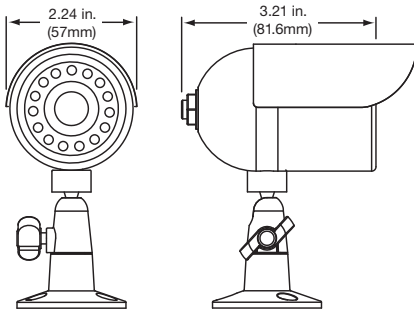
TVB-4104, TVB-2104



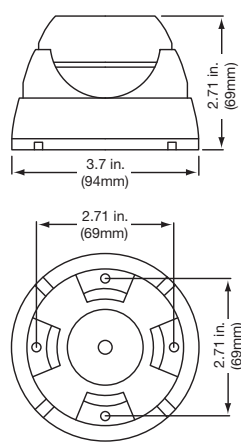
TVB-4105, TVB-2105



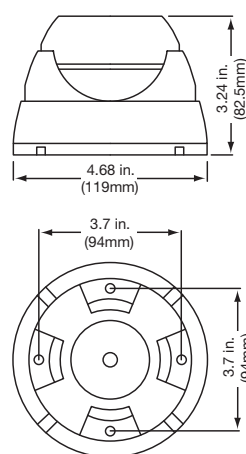
TVB-4101, TVB-2101



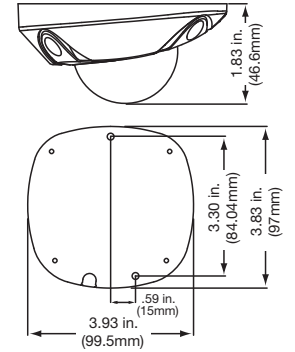
TVT-4101, TVT-2101











TVT-4103, TVT-2103



TWV-4101, TWV-2101



TRUVISION® IR CAMERA SPECIFICATIONS

	TVB-4101 (NTSC) TVB-2101 (PAL)	TVT-4101 (NTSC) TVT-2101 (PAL)	TVT-4103 (NTSC) TVT-2103 (PAL)	TWV-4101 (NTSC) TWV-2101 (PAL)	TVB-4102 (NTSC) TVB-2102 (PAL)	TVB-4103 (NTSC) TVB-2103 (PAL)	TVB-4104 (NTSC) TVB-2104 (PAL)	TVB-4105 (NTSC) TVB-2105 (PAL)
								
Description	Bullet	Turret	Turret	Wedge	Bullet	Bullet	Bullet	Bullet
Pickup Device	1/3 in. color CCD sensor	1/3 in. color CCD	1/3 in. color CCD	1/3 in. CMOS sensor	1/3 in. CCD sensor	1/3 in. CCD sensor	1/3 in. Exview CCD II sensor	
Total Pixels (HxV)	NTSC: 1020 x 508 PAL: 1020 x 596							
Effective Pixels (HxV)	NTSC: 976 x 494 PAL: 976 x 582			NTSC: 976 x 496 PAL: 976 x 496	NTSC: 976 x 494 PAL: 976 x 582			
Resolution	700TVL							
Synchronization System	Internal							
Scanning Mode	2:1 interlace							
True D/N IR Cut Filter	No	No	No	Yes	Yes	Yes	Yes	Yes
S/N Ratio	>50 dB (AGC Off)			>62 dB (AGC Off)	>50 dB (AGC Off)	>52 dB (AGC Off)		
OSD	No	No	Yes	Yes	Yes	Yes	Yes	Yes
Electronic Shutter	NTSC: 1/60 s to 1/100,000 s PAL: 1/50 s to 1/100,000 s							
Wide Dynamic Range	DWDR							
Minimum Illumination	0.2 lux color / F2.0 0.00 lux IR On	0.2 lux color / F2.0	0.2 lux color / F1.5 0.00 lux IR On	0.1 lux (F1.2, AGC On) 0.00 lux IR On	0.2 lux color / F1.5 0.00 lux IR On	0.2 lux color / F1.5 0.00 lux IR On	0.01 lux color / F1.2 0.00 lux IR On	
IR Illumination Range	49 ft. (15m)		82 ft. (25m)	32 ft. (10m)	82 ft. (25m)	180 ft. (55m)	164 ft. (50m)	328 ft. (100m)
Video Output	1 Vp-p composite output (75 Ω/BNC)							
White Balance	AWB							
Lens Type	3.6mm fixed		3.3~12mm varifocal	2.8mm fixed	2.8~12mm varifocal	6~50mm varifocal	2.8~11mm motorized lens	5~50mm motorized lens
Power Supply	12VDC		24VAC/12VDC	12VDC			24VAC/12VDC	
Current	82mA (IR Off) 267mA (IR On)	80mA (IR Off) 200mA (IR On)	24VAC 139mA/ 12VDC 131mA (IR Off) 24VAC 399mA/ 12VDC 457mA (IR Off) 24VAC 399mA/ 12VDC 457mA (IR On)	Max. 0.33A	24VAC 187mA/ 12VDC 181mA (IR Off) 24VAC 510mA/ 12VDC 604mA (IR On)	24VAC 188mA/ 12VDC 173mA (IR Off) 24VAC 516mA/ 12VDC 629mA (IR On)	24VAC/610mA max. 12VDC/840mA max.	
Power Consumption	0.98W max. (IR Off) 3.2W max. (IR On)	2.41W max. (IR On)	24VAC 1.6W/ 12VDC 1.6W (IR Off) 24VAC 5.2W/ 12VDC 5.5W (IR On)	Max. 2W (Max. 4W with IR cut filter On)	24VAC 2.2W/12VDC 2.2W (IR Off) 24VAC 7.2W/12VDC 7.25W (IR On)	24VAC 2.2W/12VDC 2.1W (IR Off) 24VAC 7.3W/12VDC 7.5W (IR On)	24VAC/9.5W max. 12VDC/10.1W max.	
Storage Temperature	-4°F~+158°F (-20°C~70°C)	-22°F~+158°F (-30°C~70°C)	-22°F~+158°F (-30°C~70°C)	-4°F~158°F (-20°C~70°C)	-4°F~158°F (-20°C~+70°C)	-22°F~+140°F (-30°C~60°C)	-22°F~+158°F (-30°C~70°C)	-22°F~158°F (-30°C~+70°C)
Operating Temperature	-22°F~+140°F (-30°C~60°C)							
Weight	0.7 lb. (310 g)	0.86 lb. (390 g)	1.7 lb. (760 g)	0.7 lb. (300 g)	2.08 lb. (945 g)	2.39 lb. (1085 g)	2.08 lb. (945 g)	2.39 lb. (1085 g)
Weatherproof	IP67		IP66		IP67			

TruVision® Line 960H Premium Resolution IR Cameras

North America
T 855-286-8889

Latin America
T 561-998-6114

A complete line of 700TVL resolution infrared cameras ideal for a wide range of indoor and outdoor applications

Ordering Information

NTSC

TVB-4101	TruVision® IR Bullet Camera, 700TVL, 3.6mm Fixed Lens, IR 15m 12VDC, NTSC
TVT-4101	TruVision IR Turret Camera, 700TVL, 3.6mm Fixed Lens, IR 15m 12VDC, NTSC
TVT-4103	TruVision IR Turret Camera, 700TVL, 3.3~12mm VF Lens, IR 25m 12VDC/24VAC, NTSC
TVW-4101	TruVision IR Wedge Camera, 700TVL, 2.8mm Fixed Lens, True Day/Night, IR 10m 12VDC, NTSC
TVB-4102	TruVision IR Bullet Camera, 700TVL, 3.3~12mm VF Lens, IR 25m 12VDC/24VAC, NTSC
TVB-4103	TruVision IR Bullet Camera, 700TVL, 6~50mm VF Lens, True Day/Night, IR 55m 12VDC/24VAC, NTSC
TVB-4104	TruVision IR Bullet Camera, 700TVL, 2.8~11mm Motorized Lens, True Day/Night, IR 50m 12VDC/24VAC, NTSC
TVB-4105	TruVision IR Bullet Camera, 700TVL, 5~50mm Motorized Lens, True Day/Night, IR 100m 12VDC/24VAC, NTSC

PAL

TVB-2101	TruVision IR Bullet Camera, 700TVL, 3.6mm Fixed Lens, IR 15m 12VDC, PAL
TVT-2101	TruVision IR Turret Camera, 700TVL, 3.6mm Fixed Lens, IR 15m 12VDC, PAL
TVT-2103	TruVision IR Turret Camera, 700TVL, 3.3~12mm VF Lens, IR 25m 12VDC/24VAC, PAL
TVW-2101	TruVision IR Wedge Camera, 700TVL, 2.8mm Fixed Lens, True Day/Night, IR 10m 12VDC, PAL
TVB-2102	TruVision IR Bullet Camera, 700TVL, 3.3~12mm VF Lens, IR 25m 12VDC/24VAC, PAL
TVB-2103	TruVision IR Bullet Camera, 700TVL, 6~50mm VF Lens, True Day/Night, IR 55m 12VDC/24VAC, PAL
TVB-2104	TruVision IR Bullet Camera, 700TVL, 2.8~11mm Motorized Lens, True Day/Night, IR 50m 12VDC/24VAC, PAL
TVB-2105	TruVision IR Bullet Camera, 700TVL, 5~50mm Motorized Lens, True Day/Night, IR 100m 12VDC/24VAC, PAL

Accessories

TVS-C100	Coaxial Controller (for TVB-4104/2104 and TVB-4105/2105 Cameras)
-----------------	------------------------------------------------------------------



interlogix.com

Specifications subject to change without notice.

© 2014 United Technologies Corporation.

All rights reserved.

Interlogix is part of UTC Building & Industrial Systems, a unit of United Technologies Corporation.

311-3746 2014/03 (77235)