

960H Premium Resolution Series PTZ

High-res, 700TVL cameras



OVERVIEW

The TruVision® 960H Premium Resolution Series PTZ camera utilizes the latest PTZ technology to provide powerful, cost-effective surveillance for retail, commercial and small business applications. With advanced features such as True day/night surveillance and Digital Wide Dynamic Range imaging, the 23X and 36X PTZ cameras provide optimal image quality in a variety of indoor or outdoor environments. Motion detection, auto tracking, privacy masking and electronic image stabilization provide additional value to any surveillance system.







The camera's 700TVL resolution and a 23X or 36X optical zoom (16X digital) work together to deliver crisp, clear images even at a distance. The camera is fully programmable, with up to 255 presets, 8 preset tours, and shadow tours for end-user customization and flexibility.

TruVision PTZ cameras install easily, with pendant, surface or flush mount options to meet almost any application need. The indoor/outdoor pendant mount is IP66-rated, with an onboard heater and fan to withstand the elements. Auto tracking enables the camera to automatically track an object or person's movement once its movement is detected in the camera's field of view. A 24-zone privacy mask feature allows the camera to block out sensitive areas such as fitting rooms or restricted areas.

STANDARD FEATURES

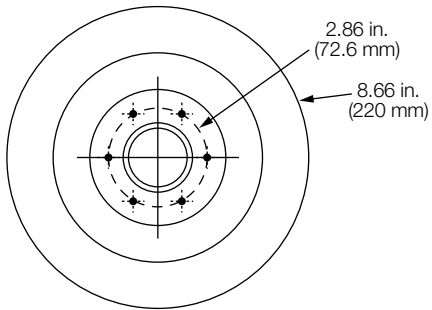
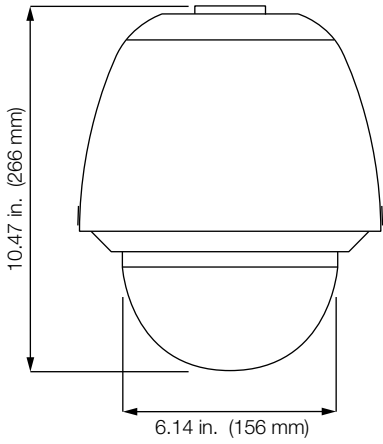
- 1/3-inch EXview CCD II (23X); 1/4 super HAD-II CCD (36X)
- 23X or 36X optical zoom, 16X digital
- 700TVL resolution
- 3DNR and DWDR (ATR-EX) functionality
- Supports Interlogix RS-485 protocol as well as select third-party protocols
- Indoor and outdoor versions available
- Wall mounts compatible with UltraView®/CyberDome™/Legend™ wall mount accessories
- Auto tracking, privacy masking, motion detection

Specifications

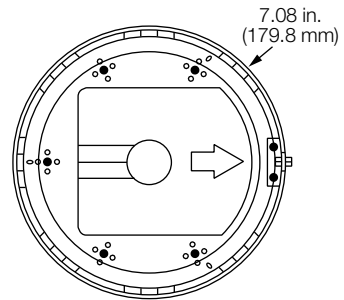
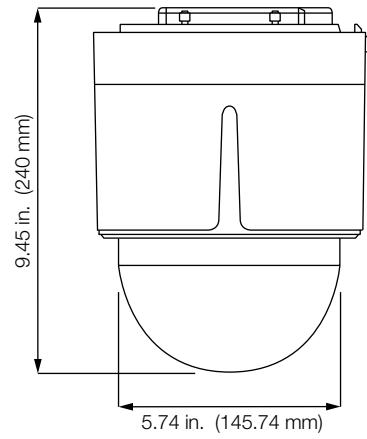
MODEL	TVP-4101 TVP-2101	TVP-4102 TVP-2102	TVP-4103 TVP-2103	TVP-4104 TVP-2104	TVP-4105 TVP-2105	TVP-4106 TVP-2106
						
Pick Up Device	1/3-inch EXview CCD II			1/4 super HAD-II CCD		
Total Pixels	NTSC: 1020 (H) x 508 (V) PAL: 1020 (H) x 596 (V)					
Effective Pixels	NTSC: 976 (H) x 494 (V) PAL: 976 (H) x 582 (V)					
Resolution	700TVL					
Optical Zoom	23X	23X	23X	36X	36X	36X
Digital Zoom	16X					
Synchronization System	Internal synchronization					
Scanning System	Interlaced scan					
IR Cut Filter	Yes					
S/N Ratio	52dB (AGC off)					
Electronic Shutter	NTSC: 1/4 to 1/100,000 second PAL: 1/3 to 1/100,000 second					
Min. Illumination	Color: 0.1 Lux @ (F1.4, AGC ON) B/W: 0.01 Lux @ (F1.4, AGC ON)			Color: 0.2 Lux @ (F1.4, AGC ON) B/W: 0.02 Lux @ (F1.4, AGC ON)		
WDR	DWDR (ATR-EX)					
DNR	3DNR					
Video Output	1.0 Vp-p/75 ohm composite					
OSD	Yes					
OSD Language	English / Chinese / German / French / Portuguese / Spanish					
Intelligence	Auto-tracking, Presets, Preset Tours, Shadow Tours, Scheduling, Motion Detection, Zones, Alarms					
Privacy Mask	24 zones					
Alarm Output/Input	7 alarm inputs, 2 alarm outputs					
Communication	RS485					
Protocol	Interlogix- 485, Pelco D, Pelco-P					
Power Source	24VAC					
Current	Max. 1.5A	Max. 0.625A	Max. 0.625A	Max. 1.5A	Max. 0.625A	Max. 0.625A
Power Consumption	Max. 35W	Max. 15W	Max. 15W	Max. 35W	Max. 15W	Max. 15W
Operating Temperature	-22°F – 149°F -30°C - 65°C	-4°F – 149°F -20°C - 65°C	-4°F – 149°F -20°C - 65°C	-22°F – 149°F -30°C - 65°C	-4°F – 149°F -20°C - 65°C	-4°F – 149°F -20°C - 65°C
Cold Start Temperature	-22°F -30°C	-4°F -20°C	-4°F -20°C	-22°F -30°C	-4°F -20°C	-4°F -20°C
Dimension (H x D)	10.4 x 8.66 in. (266 x 220mm)	9.45 x 7.05 in. (240 x 179.8mm)	9.88 x 8.12 in. (251 x 206.3mm)	10.4 x 8.66 in. (266 x 220mm)	9.45 x 7.05 in. (240 x 179.8mm)	9.88 x 8.12 in. (251 x 206.3mm)
Weight	7.7 lbs (3.5kg)	5.5 lbs (2.5kg)	6.6 lbs (3kg)	7.7 lbs (3.5kg)	5.5 lbs (2.5kg)	6.6 lbs (3kg)
Weatherproof Rating	IP66	IP44	IP54	IP66	IP44	IP54
Mounting	Pendant Indoor/ Outdoor	Surface Mount Indoor	Flush Mount Indoor	Pendant Indoor/ Outdoor	Surface Mount Indoor	Flush Mount Indoor
Heater/Fan	Yes	Fan Only	Fan Only	Yes	Fan Only	Fan Only

Dimensional Diagrams

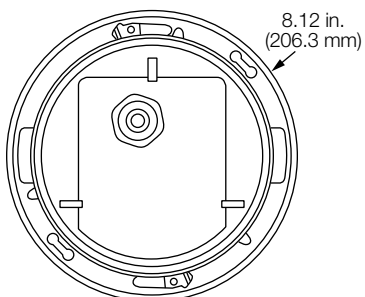
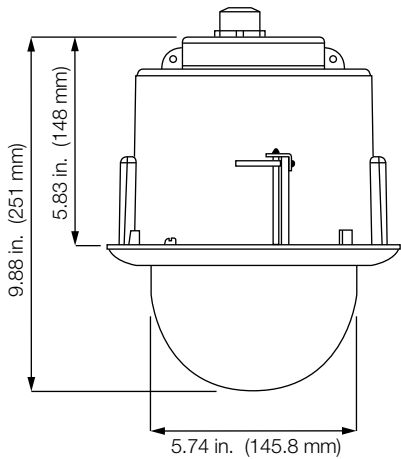
TVP-4101/4104
TVP-2101/2104



TVP-4102/4105
TVP-2102/2105



TVP-4103/4106
TVP-2103/2106



960H Premium Resolution Series PTZ

North America
T 855-286-8889

Latin America
T 561-998-6114

High-res, 700TVL cameras

Ordering Information

NTSC

TVP-4101	TruVision® Pan/Tilt/Zoom Dome, NTSC, 700TVL, 23X, True D/N, DWDR, Pendant Outdoor, IP66, 24VAC
TVP-4102	TruVision Pan/Tilt/Zoom Dome, NTSC, 700TVL, 23X, True D/N, DWDR, Surface Mount, IP44, 24VAC
TVP-4103	TruVision Pan/Tilt/Zoom Dome, NTSC, 700TVL, 23X, True D/N, DWDR, Flush Mount, IP54, 24VAC
TVP-4104	TruVision Pan/Tilt/Zoom Dome, NTSC, 700TVL, 36X, True D/N, DWDR, Pendant Outdoor, IP66, 24VAC
TVP-4105	TruVision Pan/Tilt/Zoom Dome, NTSC, 700TVL, 36X, True D/N, DWDR, Surface Mount, IP44, 24VAC
TVP-4106	TruVision Pan/Tilt/Zoom Dome, NTSC, 700TVL, 36X, True D/N, DWDR, Flush Mount, IP54, 24VAC

PAL

TVP-2101	TruVision Pan/Tilt/Zoom Dome, PAL, 700TVL, 23X, True D/N, DWDR, Pendant Outdoor, IP66, 24VAC
TVP-2102	TruVision Pan/Tilt/Zoom Dome, PAL, 700TVL, 23X, True D/N, DWDR, Surface Mount, IP44, 24VAC
TVP-2103	TruVision Pan/Tilt/Zoom Dome, PAL, 700TVL, 23X, True D/N, DWDR, Flush Mount, IP54, 24VAC
TVP-2104	TruVision Pan/Tilt/Zoom Dome, PAL, 700TVL, 36X, True D/N, DWDR, Pendant Outdoor, IP66, 24VAC
TVP-2105	TruVision Pan/Tilt/Zoom Dome, PAL, 700TVL, 36X, True D/N, DWDR, Surface Mount, IP44, 24VAC
TVP-2106	TruVision Pan/Tilt/Zoom Dome, PAL, 700TVL, 36X, True D/N, DWDR, Flush Mount, IP54, 24VAC

Accessories

1060050A	Pendant Adapter for PTZ, 1 1/4 NPT, Rubber Boot, UTC Gray (Used with Outdoor Pendant)
GEA-102	Wall Mount, Cast Aluminum
GEA-104	Parapet Swing-Arm Mount
GEA-105	Corner-Mount Adapter
GEA-106	Pole-Mount Adapter
GEA-107	Roof-Mount Adapter



interlogix.com

Specifications subject to change without notice.

© 2014 United Technologies Corporation.

All rights reserved.

Interlogix is part of UTC Building & Industrial Systems,
a unit of United Technologies Corporation.

311-3748 2014/06 (76545)