

SURFACE MOUNT ELECTRIC LOCK

ES600

Standard features include

High Physical Security

1,350kg (3,000lb) holding force

Side Load Operation

Operates and releases freely with up to 545kg (1,200lb) of side pressure

Self Latching

Will self-latch without power for fire applications

Robust Construction

Stainless steel cover, lock components and striker

Anti-tamper

Deadlock protected against tampering

Dual Monitoring

Independent for strike engagement (coded reed switch) and solenoid operation

Multiple Voltage Input

12 and 24vDC selectable input with back EMF and reverse polarity protection

Low Current Consumption

Volts	Current - Activate	Current - Hold (after 0.5 secs)
12v DC	750mA	375mA
24v DC	375mA	187mA

Options

Concealed fixing kit for striker

Approvals

UL1034 (highest level)

Tested to 2 million cycles

CE approved

BS EN 50081-1 and BS EN 50082-1

5 Year Tricare Guarantee

CI/SfB

31.59 Xt7

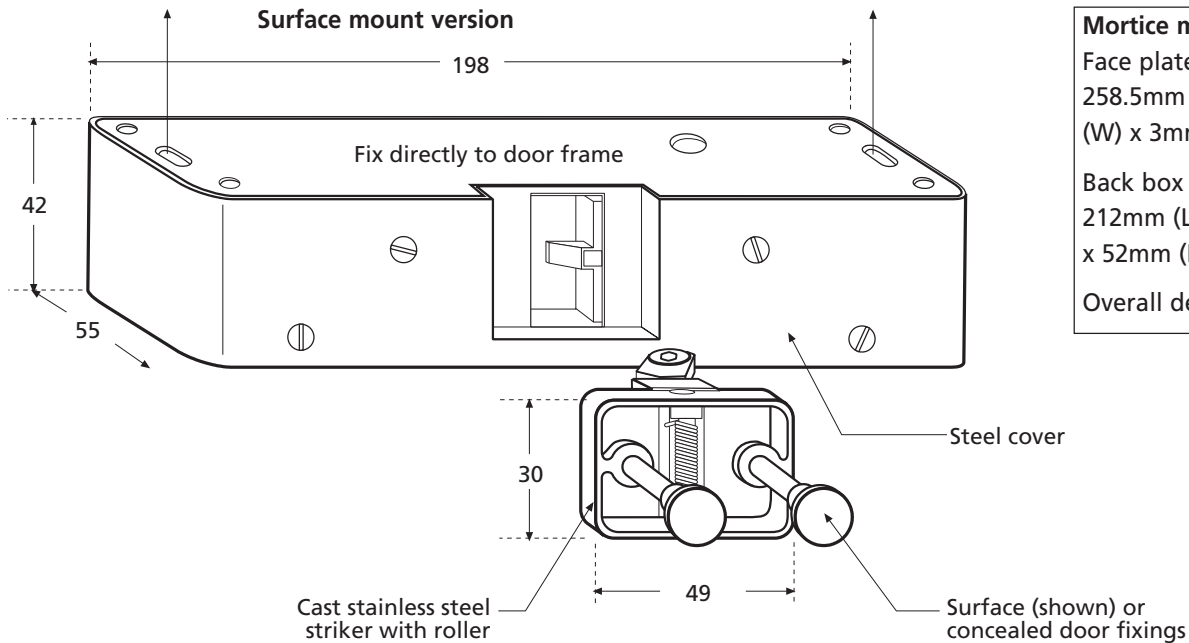


The TRIMEC ES600 patented Hook Lock advances the integration of locks and smart electronic technology. This surface or mortice mounted lock replaces conventional or electro magnet locks and can be used on single action or sliding doors.

The ES600 produces a physical interlock between a rotating jaw and the strike plate offering true Fail Open/PTL and Fail Secure/PTO operation under high side load applications.

ES600 - Specifications

Dimensions are shown in millimetres



Mortice mount version

Face plate dimensions
258.5mm (L) x 52mm
(W) x 3mm (D)

Back box dimensions
212mm (L) x 46mm (W)
x 52mm (D)

Overall depth 55mm

Technical Data

Electrical

750mA @ 12v DC for 0.5 seconds - 375mA thereafter for continuous use ($\pm 15\%$)
375mA @ 24v DC for 0.5 seconds - 187mA thereafter for continuous use ($\pm 15\%$)

Strike Engagement Monitor

N/O Contact rated @ 200mA

Solenoid Operation Monitor

C/O Contact rated @ 3mA

General

The ES600 can be installed as either Power to Lock or Power to Open and can be surface mounted either vertically and horizontally. Whilst the lock is designed to have a holding force of 1,350kg (3,000lb) it is also designed to operate freely without "jamming" with side loads of 545kg (1,200lb) exerted on the door. The ES600 has a continuously rated solenoid.

Installation

A metal template is provided for accuracy. Under no circumstances should the ES600 be used as a door stop.

Ordering Information

Surface mounted. All models are PTL/PTO reversible and 12 to 24vDC complete with dual monitoring.

DESCRIPTION	FUNCTION	CODE	FUNCTION	CODE
Through bolt fixing and grey painted mild steel cover For stainless steel cover add 'S'; to end of code (eg ES6SO-S).	Fail Open - Power to Lock	ES6SL-M	Fail Secure - Power to Open	ES6SO-M

Options

Concealed fixings kit for striker

ES6CSK

Mortice mounted. All models are PTL/PTO reversible and 12 to 24vDC complete with dual monitoring.

Stainless Steel face plate	Fail Open - Power to Lock	ES6ML	Fail Secure - Power to Open	ES6MO
----------------------------	---------------------------	--------------	-----------------------------	--------------



INTERNATIONAL ENGINEERING COMPANY LIMITED

Harwell Road, Nuffield Estate **T** 01202 676262

F 01202 680101

Poole, Dorset BH17 0BD **E** iec.uk@pobox.com

W www.iecltd.co.uk