

## Electrical

12v AC or 12-24 v DC  
Heavy Duty Form C Relay

## Mechanical

Meets MIL standards 810C, 202E, 461B and 462  
for shock and vibration.

## Warranty

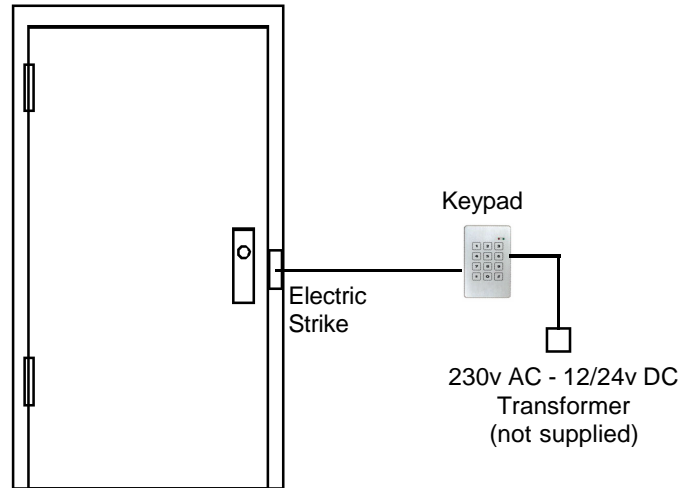
5 year warranty

## Environment

Operational temperature range -40° to +125°  
IP68 Waterproof rating

## Shipping

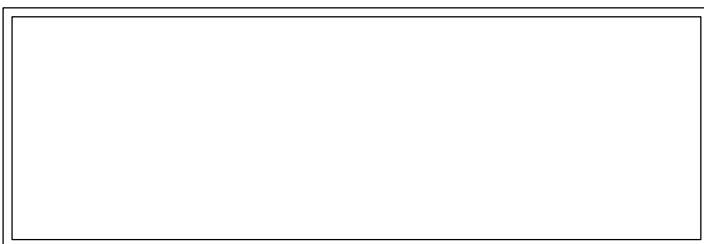
Product weight = 146gms  
Shipping weight = 165gms  
Shipping size in box = 115 x 45 x 37 mm



## Model Options

- ES634-200 - Single door, IP68 200 user keypad controller - 3 x 4 keypad layout, Outdoor or Indoor, surface mount.
- ES626-200 - Single door, IP68 200 user keypad controller - 2 x 6 keypad layout, Outdoor or Indoor, surface mount.
- ES634-W - Weigand 26 bit IP68 keypad - 3 x 4 keypad layout, Outdoor or Indoor, surface mount.

## Distributed By:



*Padde reserves the right to update Technical Data without notice*



[www.padde.com.au](http://www.padde.com.au)