

Electrical

12v AC or 12-24 v DC
Heavy Duty Form C Relay

Mechanical

Meets MIL standards 810C,202E, 461B and 462
for shock and vibration.

Warranty

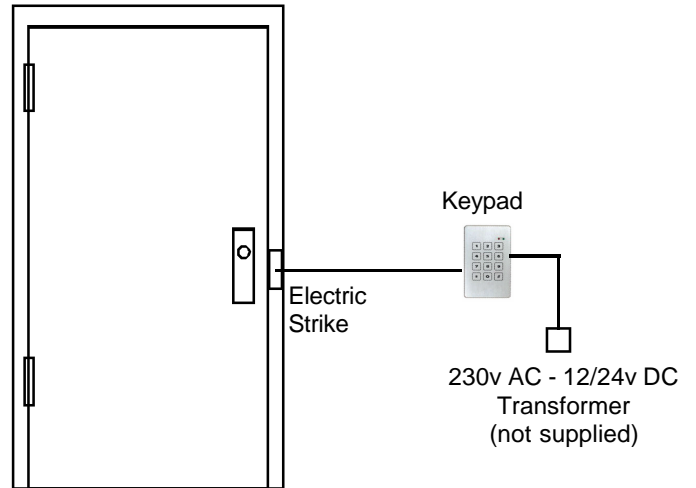
5 year warranty

Environment

Operational temperature range -40° to +125°
IP68 Waterproof rating

Shipping

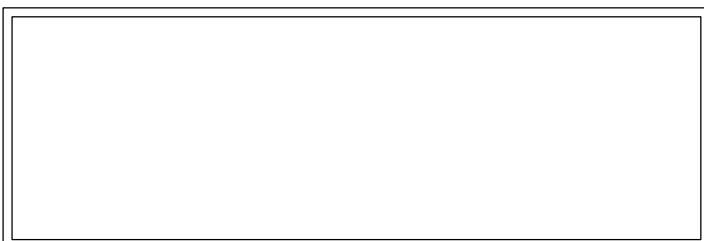
Product weight = 146gms
Shipping weight = 165gms
Shipping size in box = 115 x 45 x 37 mm



Model Options

- ES634-200 - Single door, IP68 200 user keypad controller - 3 x 4 keypad layout, Outdoor or Indoor, surface mount.
- ES626-200 - Single door, IP68 200 user keypad controller - 2 x 6 keypad layout, Outdoor or Indoor, surface mount.
- ES634-W - Weigand 26 bit IP68 keypad - 3 x 4 keypad layout , Outdoor or Indoor, surface mount.

Distributed By:



Padde reserves the right to update Technical Data without notice



www.padde.com.au