

ELECTRIC RIM STRIKE

ES150

Standard features include

Stainless Steel Striker

1,350kg (3,000lb) - factory tested

Patented Locking System

Shear line technology - incorporating 3 case hardened locking pins

Low Current Consumption

243mA - 12v DC continuous ($\pm 15\%$)

187mA - 24v DC continuous ($\pm 15\%$)

Compact Cast Aluminium Body

Enclosed in one-part case

Easy Installation

Suitable for steel or timber door frames

Finish

Black polyester powder paint

Options

Weather resistant - IP56 protection

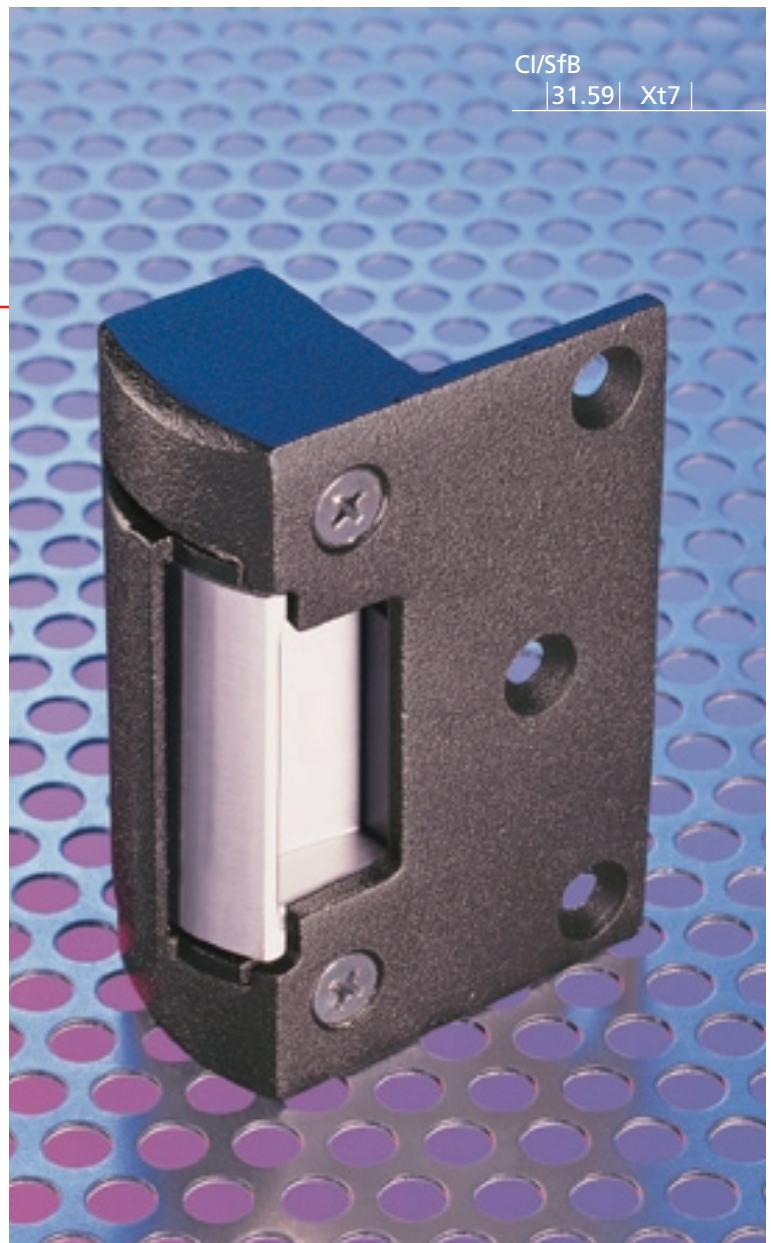
Spares

Replacement pin and spring kit

CE Approved

BS EN 50081-1 and BS EN 50082-1

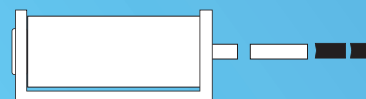
5 Year Tricare Guarantee



The TRIMEC ES150 series Security Rim Strikes are designed for use with the majority of popular rim latches used on timber door applications.



Power to Open/Fail Secure



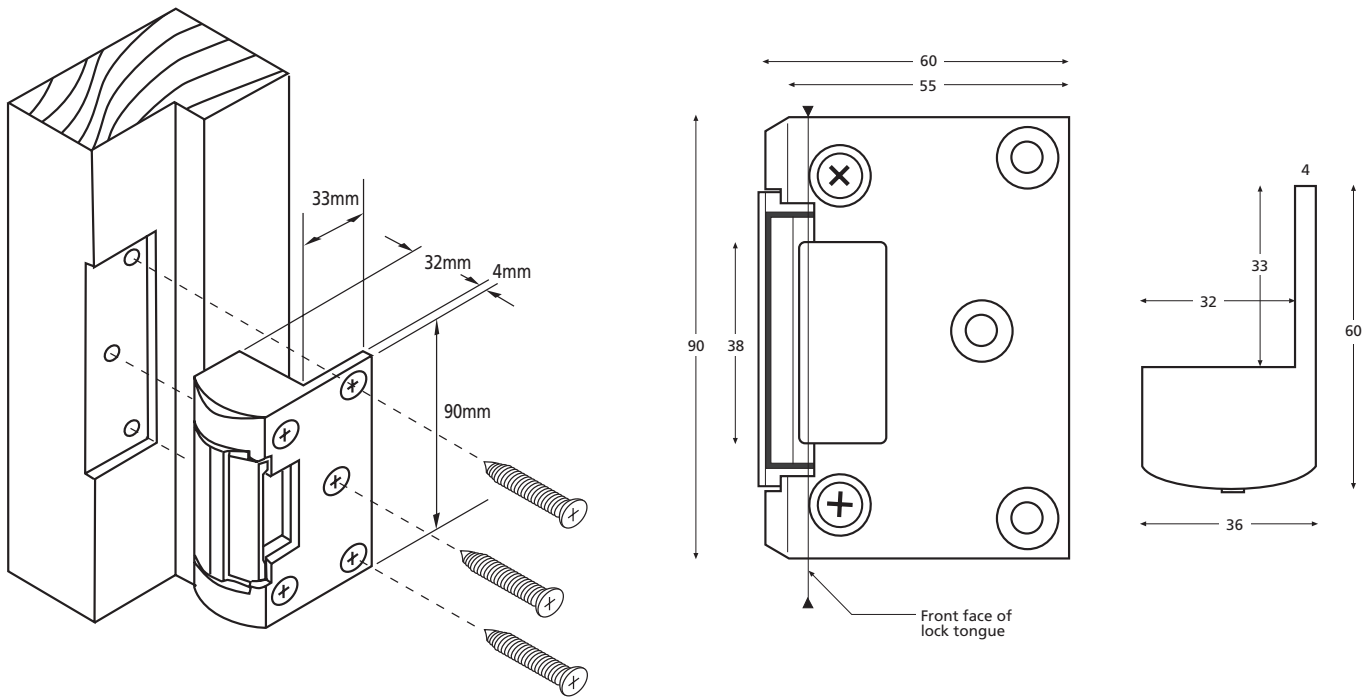
Power to Lock/Fail Open

UNIQUE TO TRIMEC
AND SO SIMPLE TO DO!

Changing the sequence of the pins changes the function of the strike

ES150 - Specifications

Dimensions are shown in millimetres



Lock Compatibility

Accepts 12mm latch bolt when fitted with 3mm door gap

Chubb

- Narrow style 4L73
- Standard style 4L74
- Traditional style 4L74

Union

- Narrow style 1027, 1047, 1097
- Standard style 1022, 1026, 1028, 1048, 1098

Legge

- 66, 707, 727

Yale

- Narrow style 84, 706, No.2
- Standard style 77, 88, 90, 91, No.1

Ordering Information

DESCRIPTION	FUNCTION	CODE	FUNCTION	CODE
12v DC	Fail Open - Power to Lock	TS151	Fail Secure - Power to Open	TS152
24v DC	Fail Open - Power to Lock	TS153	Fail Secure - Power to Open	TS154
Spares				
Pin and Spring Kit	Replacement	ES1P		
Pin and Spring Kit for Weather Resistant	Replacement	ES1PWR		

For weather resistant versions add 'WR' to code eg TS151WR.



INTERNATIONAL ENGINEERING COMPANY LIMITED

Harwell Road, Nuffield Estate

T 01202 676262

F 01202 680101

Poole, Dorset BH17 0BD

E iec.uk@pobox.com

W www.iecltd.co.uk