

**Stainless Steel Striker**

150kg (330lb) holding force

**Flexible Alignment**

Has 5mm vertical/horizontal adjustment after installation

**Power to Lock/Power to Open**

Rapid function change over

**Low Current Consumption**

175mA - 12v DC continuous ( $\pm 15\%$ )

88mA - 24v DC continuous ( $\pm 15\%$ )

**Compact Cast Aluminium Body**

72mm x 30mm x 28mm

**Approvals**

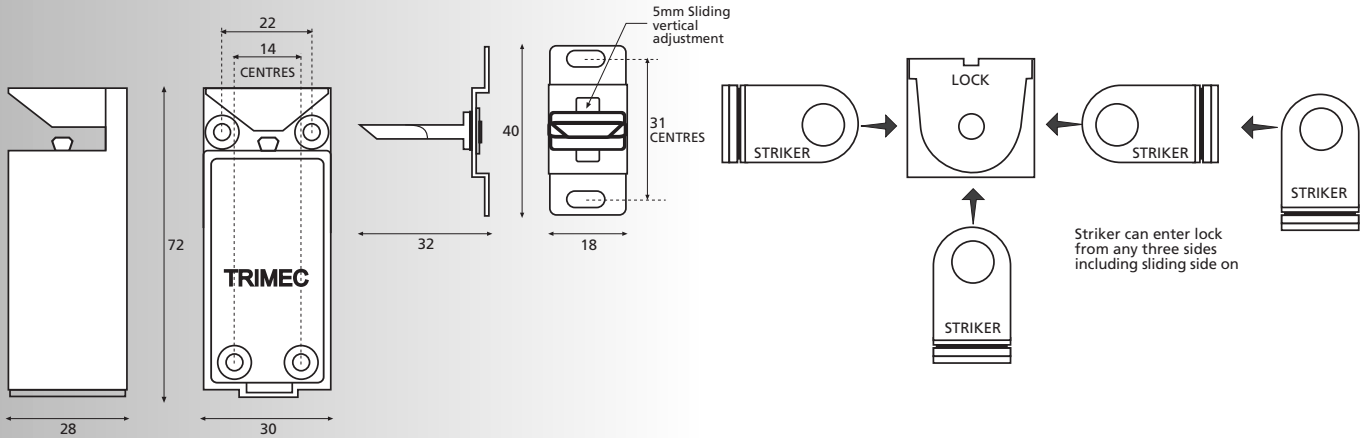
CE - BS EN 50081-1 and BS EN 50082-1



The compact sized TRIMEC EL110 Cabinet Lock is designed to be fitted in display cases, cabinets and lockers with either swing or sliding doors requiring electronic control and where keys are not a practicable solution.

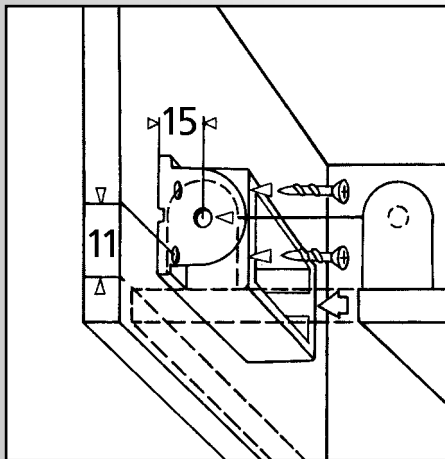
The innovative design enables the lock to be fitted vertically or horizontally whilst receiving the striker plate from the front, side or slide entry positions.

The EL110 offers maximum flexibility and alignment adjustment whilst maintaining an excellent level of security for its size.



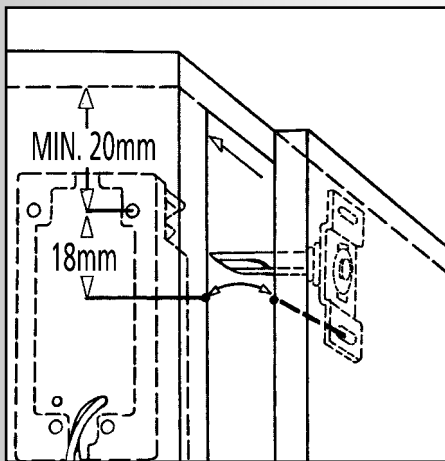
## SLIDING DOORS

- 1 Fit door lock first



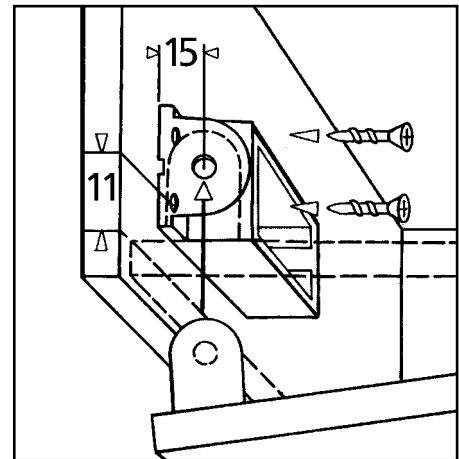
- 2 Fit striker second

(Transfer 18mm line to door)



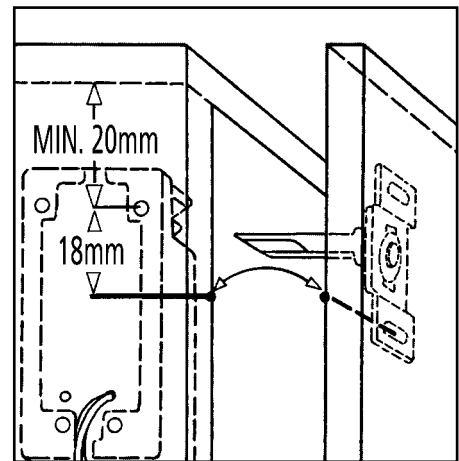
## SWING DOORS

- 1 Fit door lock first



- 2 Fit striker second

(Transfer 18mm line to door)



## Ordering Information

DESCRIPTION	FUNCTION	CODE	FUNCTION	CODE
12v DC	Fail Open - Power to Lock	EL111	Fail Secure - Power to Open	EL112
24v DC	Fail Open - Power to Lock	EL113	Fail Secure - Power to Open	EL114
Pin Kit	Replacement	ES2P		



**International Engineering Company Ltd**  
Harwell Rd Nuffield Estate Poole BH17 0BD Great Britain

© October 2002 IEC. All rights reserved. All dimensions are nominal and subject to tolerances

**T** 01202 676262  
**F** 01202 680101  
**E** info@iecltd.co.uk  
**W** www.iecltd.co.uk



First Choice Solutions