

Tokina

VARIFOCAL LENS W/Asferical Glass

TOKINA Co.,Ltd.

Security Products Division
120-4 NOZUTA-MACHI, MACHIDA-SHI,
TOKYO, 195-0063 JAPAN
TEL:+81-42-734-8912 FAX:+81-42-735-1463

E-mail:cctv@tokina.co.jp

TVR2314AI f = 2.3 - 6mm F 1.4 VIDEO IRIS

SPECIFICATION

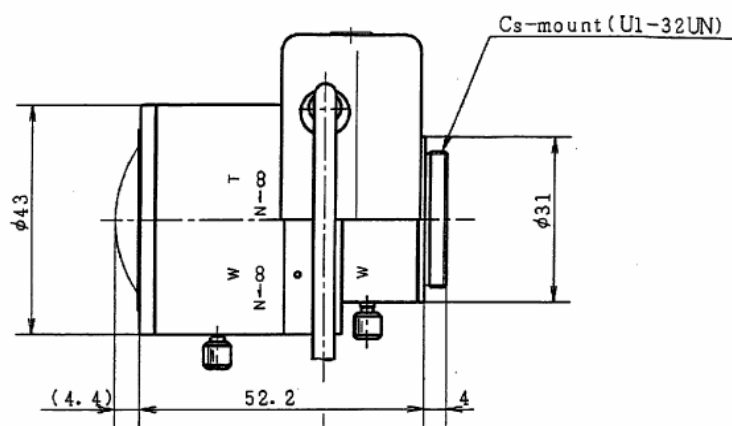
MODEL NUMBER		TVR2314AI	
IMAGE FORMAT		1/3inch	
FOCAL LENGTH		2.3-6mm	
MAXIMUM APERTURE		F1:1.4	
APERTURE RATIO		F1:1.4-400	
BACK FOCAL LENGTH		10.20mm	
M.O.D.		0.2m	
ANGLE OF VIEW	DIAGONAL	W141.98°	T60.16°
	HORIZONTAL	W114.75°	T48.15°
	VERTICAL	W86.25°	T36.09°
DIMENSIONS		W56.3×H54.9×D43.0mm	
WEIGHT		100g/90g	
OPERATING TEMPERATURE RANGE		-10°C~45°C	
OPERATING HUMIDITY RANGE		30%~70%	

●AUTO IRIS

INPUT VOLTAGE	DC+8V-16V
CURRENT CONSUMPTION	35mA OR LESS
INPUT SIGNAL	VS OR V SIGNAL
IRIS ACCURACY	±15% AT VIDEO SIGNAL LEVEL
SENSITIVITY	0.5~1.0Vp-p AT VIDEO SIGNAL LEVEL
RESPONSE SPEED	APPROX.1.5 SECONDS

●AUTO IRIS

CABLE COLOR	CONNECTION
RED	POWER(DC+8V-16V)
WHITE	VS OR V SIGNAL
GREEN	REMOTE
BLACK	GND



DESIGN AND SPECIFICATIONS ARE SUBJECT TO CHANGE WITHOUT NOTICE