

Tokina

MOTORIZED ZOOM LENS

TM22Z1022GAIDC $f = 10\text{-}220\text{mm}$ F/2.2 DC AUTO IRIS

TM22Z1022GAIDCPN $f = 10\text{-}220\text{mm}$ F/2.2 DC AUTO IRIS with Preset(Focus/Zoom)

SPECIFICATIONS

MODEL No.	TM22Z1022GAIDC / TM22Z1022GAIDCPN	
IMAGE FORMAT	1/2"	
MOUNT	C-Mount	
FOCAL LENGTH	10 - 220mm	
APERTURE	F1 : 2.2	
APERTURE RANGE	F2.2 - 360	
ANGLE OF VIEW () = 1/3"	DIAGONAL	W41.99° - T2.17° (W32.11° - T1.64°)
	HORIZONTAL	W34.14° - T1.74° (W25.90° - T1.31°)
	VERTICAL	W25.90° - T1.31° (W19.53° - T0.99°)
M. O. D.	1.8m	
BACK FOCAL LENGTH	11.0mm	
FILTER SIZE	M67mm P=0.75	
DIMENSIONS	W80.0 X H101.0 X L158.7mm	
WEIGHT	800g	
OPERATING TEMPERATURE	-10°C ~ +60°C	

• FOCUS / ZOOM	FOCUS	ZOOM
INPUT VOLTAGE	DC+6 ~ +12V	DC+6 ~ +12V
CURRENT CONSUMPTION	Less than 60mA	Less than 60mA
RESPONSE SPEED	Approx. 4.5 sec.	Approx. 4.5 sec.

CABLE CONNECTIONS

• DC AUTO IRIS (4-Pins Connector)

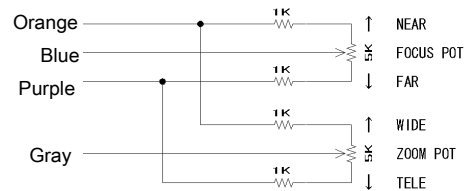
SIGNAL	CABLE COLOR	PIN #
Damping Coil -	RED	1
Damping Coil +	BLACK	2
Driving Coil +	WHITE	3
Driving Coil -	GREEN	4



■ POTENTIOMETER-PRESET (TM22Z1022GAIDCPN Only)

CABLE COLOR	CONNECTION
ORANGE	Pot. Supply
BLUE	Focus Pot. Wiper
PURPLE	Pot. Return
GRAY	Zoom Pot. Wiper

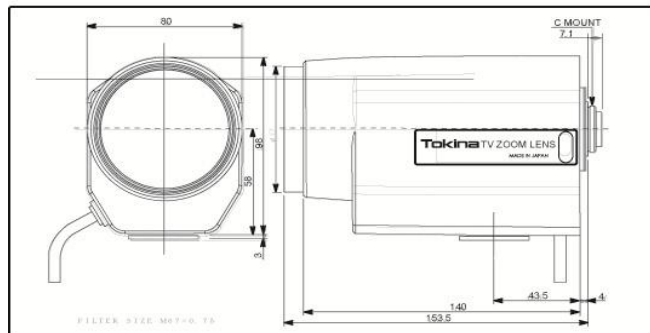
Wiring details for potentiometer-preset



■ ZOOM / FOCUS

FUNCTION	CABLE COLOR	POLARITY	DIRECTION
ZOOM	GREEN	+ (-)	Wide (Tele)
	WHITE	- (+)	
FOCUS	BLACK	+ (-)	Inf. (Near)
	RED	- (+)	

APPERANCE



*Design and specifications are subject to change without notice.