

Tokina

Auto-focus MOTORIZED ZOOM LENS

TM15Z7516AF f = 7.5-112.5mm F1.6 AUTO IRIS

SPECIFICATION

MODEL NUMBER		TM15Z7516AF	
IMAGE FORMAT		1/2inch	
FOCAL LENGTH		7.5-112.5mm	
MAXIMUM APERTURE		F1.6	
APERTURE RATIO		F1.6-360	
BACK FOCAL LENGTH		13.6mm	
M.O.D.		1.5m	
ANGLE OF VIEW	DIAGONAL	W57.1°	T4.0°
	HORIZONTAL	W46.8°	T3.3°
	VERTICAL	W35.7°	T2.5°
FILTER SIZE		M62.0mm P=0.75	
DIMENSIONS		W66.0xH75.5xL108.5mm	
WEIGHT		720g	
OPERATING TEMPERATURE RANGE		-10°C~50°C	
OPERATING HUMIDITY RANGE		30%~70%	
MOUNT		C	

●AUTO IRIS

INPUT VOLTAGE	DC+8V-16V
CURRENT CONSUMPTION	40mA OR LESS
INPUT SIGNAL	VS OR V SIGNAL
IRIS ACCURACY	±15% AT VIDEO SIGNAL LEVEL
SENSITIVITY	0.5~1.0Vp-p AT VIDEO SIGNAL LEVEL
RESPONSE SPEED	APPROX.3 SECONDS

●FOCUS/ZOOM

INPUT VOLTAGE	DC+6V-12V
CURRENT CONSUMPTION	60mA OR LESS
MOTORIZATION SPEED	Variable

■CABLE CONNECTION

●ZOOM

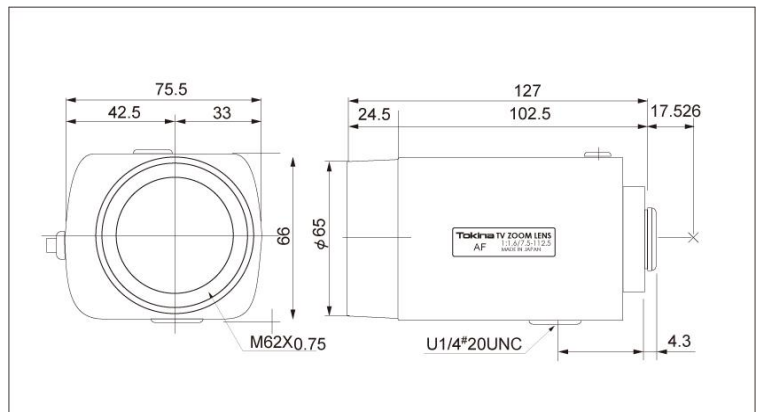
RED	(+V)Zoom OUT
Grey	(+V)Zoom IN

●FOCUS

YELLOW	(+V)FOCUS NEAR
BLUE	(+V)FOCUS FAR

● IRIS

GREEN	(+V)IRIS OPEN
BROWN	(+V)IRIS CLOSE



DESIGN AND SPECIFICATIONS ARE SUBJECT TO CHANGE WITHOUT NOTICE

PRINTED IN JAPAN