

TM10Z8515AFIR f = 8.5-85mm F1.5 AUTO IRIS

SPECIFICATION

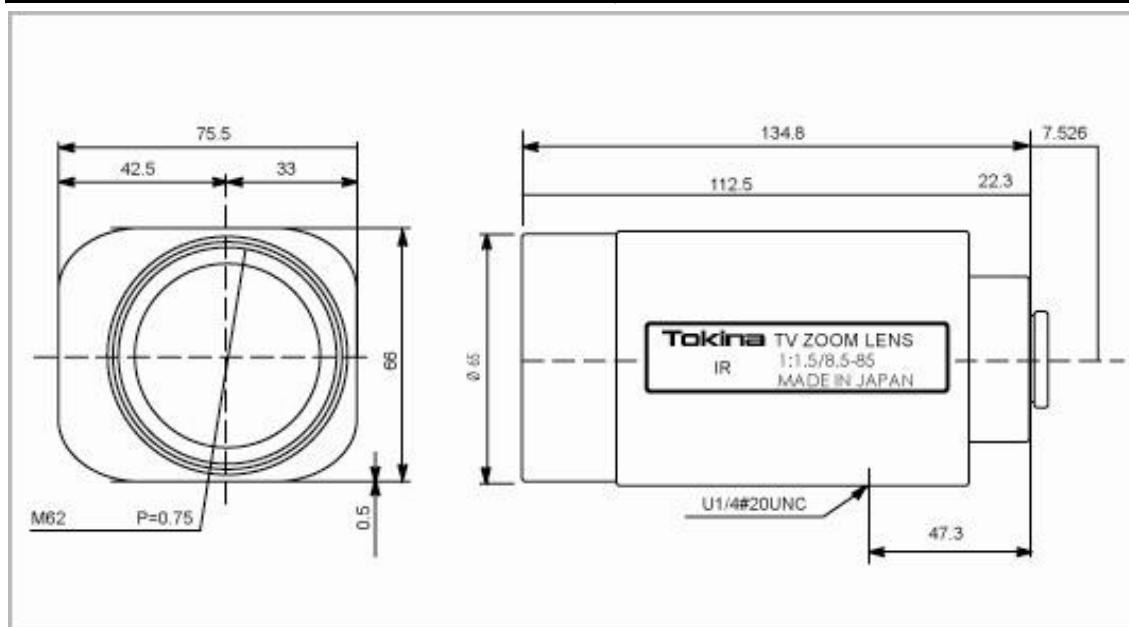
MODEL NUMBER		TM10Z8515AFIR	
IMAGE FORMAT		1/2inch	
FOCAL LENGTH		8.5-85mm	
MAXIMUM APERTURE		F1.5	
APERTURE RATIO		F1.5-360	
BACK FOCAL LENGTH		14.2mm	
M.O.D.		1.5m	
OPERATION	IRIS	AUTO	
	FOCUS	AUTO / MOTORIZED	
	ZOOM	MOTORIZED	
WAVE LENGTH OF AVAILABILITY		430nm - 950nm	
ANGLE OF VIEW	DIAGONAL	W53.7°	T5.4°
	HORIZONTAL	W41.5°	T4.3°
	VERTICAL	W31.3°	T3.3°
FILTER SIZE		M62.0mm P=0.75	
DIMENSIONS		W66.0xH75.5xL134.8mm	
WEIGHT		695g	
OPERATING TEMPERATURE RANGE		-10°C ~ 50°C	
OPERATING HUMIDITY RANGE		30% ~ 70%	
MOUNT		C	

●AUTO IRIS

INPUT VOLTAGE	DC+8V-16V
CURRENT CONSUMPTION	40mA OR LESS
INPUT SIGNAL	VS OR V SIGNAL
IRIS ACCURACY	±15% AT VIDEO SIGNAL LEVEL
SENSITIVITY	0.5 ~ 1.0Vp-p AT VIDEO SIGNAL LEVEL
RESPONSE SPEED	APPROX.3 SECONDS

●FOCUS / ZOOM

INPUT VOLTAGE	DC+4V-16V
CURRENT CONSUMPTION	10mA OR LESS
MOTORIZATION SPEED	APPROX. 2-7 SECONDS



■ CABLE CONNECTION

● ZOOM

RED	(+V)Zoom OUT (DC4V-16V)
Grey	(+V)Zoom IN (DC4V-16V)

● FOCUS

YELLOW	(+V)FOCUS NEAR (DC4V-16)
BLUE	(+V)FOCUS FAR (DC4V-16V)

● AF (AUTO FOCUS)

SKY BLUE	(DC2V -12V) -AF Off, (DC 0V) -AF On
GREEN	+VCC AF(DC8-16V, Max.150mA)

● COMMON

BLACK	Ground
CORE WIRE	EARTHING

● AUTO IRIS CABLE CONNECTION

RED	+V (8.5V-16V)
-	-
WHITE	VIDEO SIGNAL
BLACK	GROUND

DESIGN AND SPECIFICATIONS ARE SUBJECT TO CHANGE WITHOUT NOTICE