

# Tokina

## Auto-focus MOTORIZED ZOOM LENS

### TM10Z0612AF f = 6.0-60mm F1.2 AUTO IRIS

#### SPECIFICATION

MODEL NUMBER		TM10Z0612AF	
IMAGE FORMAT		1/3inch	
FOCAL LENGTH		6.0-60mm	
MAXIMUM APERTURE		F1.2	
APERTURE RATIO		F1.2-360	
BACK FOCAL LENGTH		8.9mm	
M.O.D.		1.5m	
ANGLE OF VIEW	DIAGONAL	W55.50°	T5.32°
	HORIZONTAL	W44.35°	T4.29°
	VERTICAL	W33.24°	T3.24°
FILTER SIZE		M58.0mm P=0.75	
DIMENSIONS		W66.0xH75.5xL108.5mm	
WEIGHT		600g	
OPERATING TEMPERATURE RANGE		-10°C~50°C	
OPERATING HUMIDITY RANGE		30%~70%	
MOUNT		CS	

#### ●AUTO IRIS

INPUT VOLTAGE	DC+8V-16V
CURRENT CONSUMPTION	40mA OR LESS
INPUT SIGNAL	VS OR V SIGNAL
IRIS ACCURACY	±15% AT VIDEO SIGNAL LEVEL
SENSITIVITY	0.5~1.0Vp-p AT VIDEO SIGNAL LEVEL
RESPONSE SPEED	APPROX.2 SECONDS

#### ●FOCUS/ZOOM

INPUT VOLTAGE	DC+6V-12V
CURRENT CONSUMPTION	60mA OR LESS
MOTORIZATION SPEED	Variable

#### ■CABLE CONNECTION

#### ●ZOOM

RED	(+V)Zoom OUT/DC +4~ +16v
Grey	(+V)Zoom OUT/DC +4~ +16v

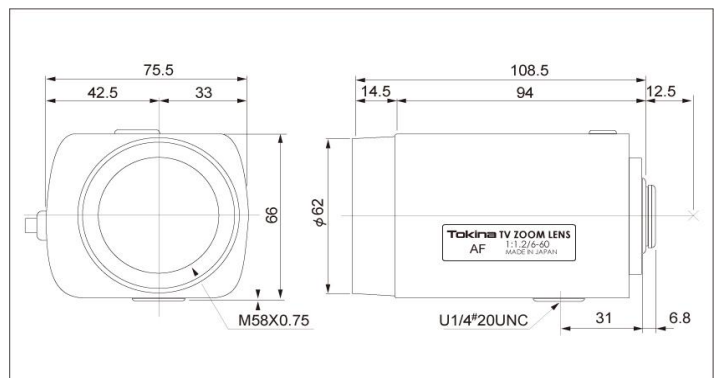
#### ●FOCUS

YELLOW	(+V)FOCUS FAR/DC +4~ +16v
BLUE	(+V)FOCUS NEAR/DC +4~ +16v

#### ●AF

GREEN	(+Vcc)AF DC+8~ +16v
SKY BLUE	AF OFF(DC2~12V)/AF ON (DC0V)

Black	Ground (AF/Potential)
Core Wire	Eating



DESIGN AND SPECIFICATIONS ARE SUBJECT TO CHANGE WITHOUT NOTICE