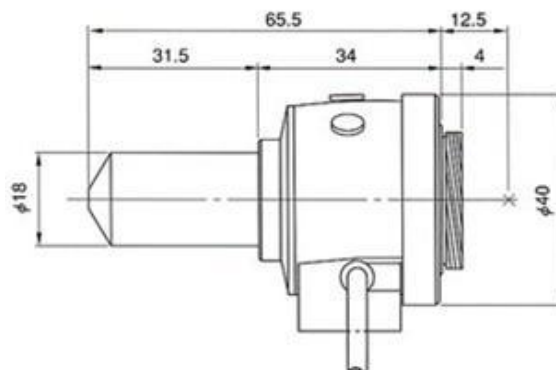


Pinhole Lens TCP0420DC



[SPECIFICATIONS]		
FORMAT	1/3"	
MOUNT	CS MOUNT	
FOCAL LENGTH	4.0 mm	
IRIS RANGE	F2.0 – 64	
ANGLE OF VIEW	(1/2")	
	(1/3")	
	75° 54' (D) x 63° 10' (H) x 49° 10' (V)	
M.O.D.	0.3 m	
BACK FOCAL LENGTH	9.19 mm	
FLANGE BACK LENGTH	12.5 mm	
FILTER SCREW SIZE	–	
DIMENSIONS	Φ 32 x 69.5 mm	
WEIGHT	Approx. 170 g	
OPERATING TEMPERATURE	-10°C – +50°C	
OPERATION	IRIS	Auto Iris(Direct Drive)
	FOCUS	Manual
IRIS (AUTO)	Input Voltage/Current	DC8V to 16V
	Input Signal	Video Signal (VS or V)
	Iris Accuracy	+/-20% at Video Signal Level
	Sensitivity Adjustment	0.5-1.0Vp-p at Video Signal Level
	Iris Respond Speed	Approx. 3 sec. Or Less
	Metering Method	Average – Peak

[CABLE CONNECTION -DIRECT DRIVE]

4 – Core Shield Cable : Approx. 21.5cm

WHITE	+ Driving Coil
GREEN	- Driving Coil
RED	+ Damping Coil
BLACK	- Damping Coil

Specification are subject to change without notice.