

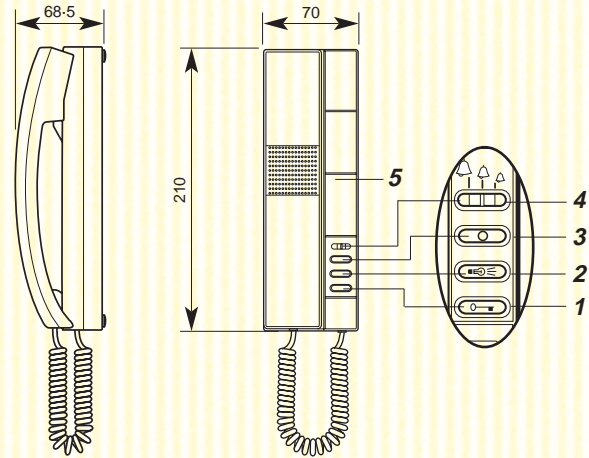
# Terraneo®

item descriptions

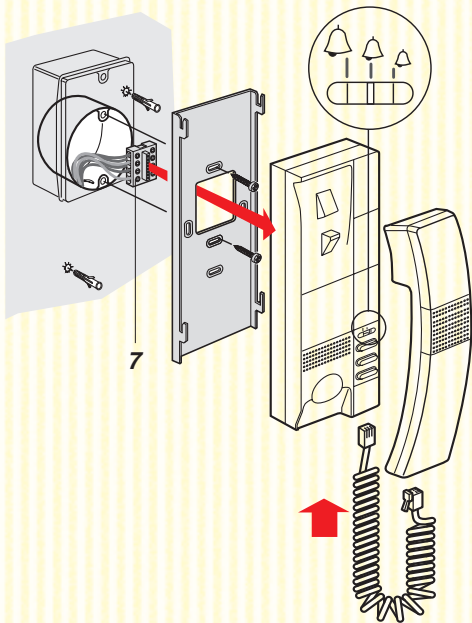
## Pivot audio internal unit Cat. No. 3340 02

- 1 - Door lock control pushbutton
- 2 - Staircase light pushbutton
- 3 - Pushbutton for turning on outdoor station's audio
- 4 - Call signal volume control
- 5 - Housing for 4 extra pushbuttons or for call exclusion switch with signalling LED and two pushbuttons for interphoning function
- 6 - Dip-switch for presetting the device for the various services
- 7 - 8 terminal connector

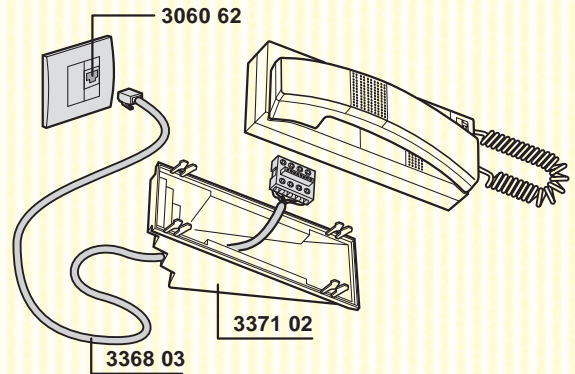
It is fitted with conversation secrecy and adjustable electronic call volume  
 Flex cord with two RJ connectors  
 Amplified electret microphone  
 Loudspeaker with mylar diaphragm  
 It may be wall mounted with the supplied screws and screw-anchors; or it may be installed on table top with sloping base  
 Cat. No. 3371 02, cable Cat. No. 3368 03 and socket outlet  
 Cat. No. 3060 62  
 It may also be flush mounted with installation kit Cat. No. 3369 02



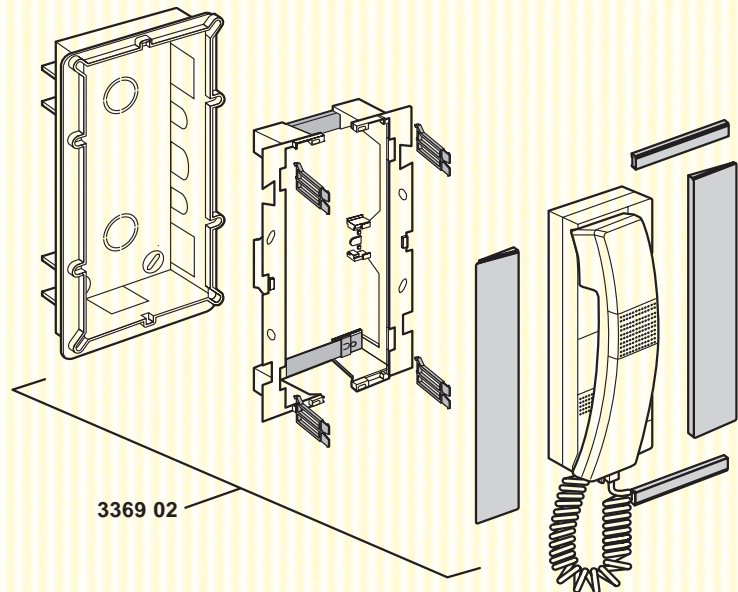
## Wall mounting installation



## Table top installation



## Flush mounting installation



## Set of 4 extra pushbuttons for Pivot audio and video internal units Cat. No. 3375 12

To be inserted in the special housing in order to use Pivot audio and video internal units as intercom. It comes with the additional connector for the connection

