



- H.264 up to 1920x1080p/30fps
- HDMI, HD/SD-SDI and composite interfaces
- Multicast and IGMP support
- Motion detection and event management
- USB recording
- Two-way audio
- RS data support for PTZ
- PoE 802.3af
- ONVIF & PSIA compliant



The Teleste MCC201 is an entry level video server for H.264/MJPEG High Definition and Standard Definition operations. Both High Profile and Baseline Profile are supported. The unit has ready-available user-selectable video interfaces for HD/SD-SDI and HDMI digital signals but is also compatible with conventional analogue composite video, too. In addition there is a built-in audio and PTZ data transmission capability. The unit supports video resolutions starting from CIF level up to 1920x1080p30 resolution. With optional scaling feature the input resolution can be adjusted on the encoding.

MCC201 can be taken in use either for video encoding or decoding purposes. All settings and configurations are easily managed by an ergonomic web user interface. MCC201 provides a fluent unicast/multicast communication over LAN/WAN Ethernet networks. MCC201 is ONVIF/PSIA compatible and can operate as a part of a video management system.

MCC201 fits perfectly to a HD CCTV camera providing a digital output.

MCC201 has versatile video encoding parameters available, including resolution, frame rate and bit rate. For more technical requirements the unit has configurable settings for video profile type, de-interlacing, CBR/VBR rate control and I-frame interval. The encoder with dual streaming capability has the maximum bitrate of 10 Mbps for the primary H.264 stream. The secondary stream in H.264 or MJPEG mode with a maximum stream rate of 1 Mbps is ideal for low bandwidth distribution or recording purposes.

The video operation is supported with additional features such as information display overlay and burn-in OSD to the encoded video. For alarm and event activities the MCC series has a built-in video motion detection functionality and two sensor inputs (calendar synchronised). By using an event configurator all actions of interest creating an alarm can be forwarded either to email or to ftp address. A clip from the primary or secondary video stream, or a JPEG snapshot can be added as an attachment.

In addition to video features the MCC series has two data ports for PTZ camera control and serial device communication. For audio operation there are two channels that

can be switched to simplex or duplex modes. Audio coding can be selected between AAC or G.711 algorithms. For recording purposes the MCC series has a file transfer support for either FTP server or to external high capacity storage device (via an USB port).

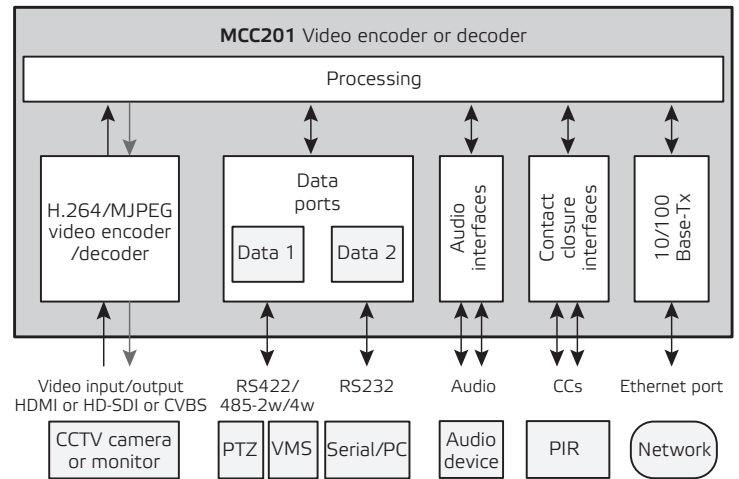
MCC201 is provided as a compact, small profile aluminium stand-alone housing. A wall mount is an option. Installation into a standard 19 inch rack can be also provided with an additional 1U high installation chassis having installation slots for two MCC units. MCC series units are suited for easy installations inside premises and other technical locations providing controlled environment.

The nominal supply voltage for MCC series is 12 VDC and can be typically fed via a separate mains adapter. However as the MCC series is supporting PoE technology (Powered Device) the unit can be powered over the Ethernet network cabling as well.

Benefits

- Video server (encoder/decoder)
- High and standard definition video
- HDMI, HD/SD-SDI and composite video interfaces
- Dual streaming (H.264 or MJPEG)
- ONVIF and PSIA compliant
- Recording options via USB port or FTP server
- Motion detection and alarm I/Os
- Event management, email notifications and FTP uploads
- UI with Live View and PTZ control
- Power over Ethernet (PoE)
- Duplex stereo audio (AAC or G.711 encoding)
- RS serial data for PTZ camera (RS422/485)
- RTSP and HTTP authentication, various discovery features
- Readiness for DHCP and IPv6

Block diagram



Technical specifications *(Typical values unless otherwise stated)*

Video			Contact Closure		
Interfaces	1 x HDMI 1 x HD/SD-SDI 1 x composite	Type A BNC BNC	Number of channels	2	
Nominal level	1.0 Vpp	composite	Input	Sensor	NO/NC, selectable
Input impedance	75 ohms	BNC	Output	Switching, 30V DC / 1A	NO
Number of encoding profiles	2		Connector	Removable terminal	
Encoding	ISO/IEC 14496-10 RFC 2435	H.264 HP, BP MJPEG	Ethernet Interface		
Resolutions (encoded)	352x240... 1920x1080	selectable, depending on format	Number of ports	1	
Input formats	HDMI 480p30 to HDMI 1280x1024p60 HD-SDI 720p30 to HD-SDI 1080i60 SD-SDI PAL&NTSC Composite PAL&NTSC	selectable selectable selectable	Fast Ethernet	10/100 Base-Tx	
Output formats	PAL 720x576 NTSC 720x480 720p50 (1280x720) 720p60 (1280x720) 1080i50 (1920x1080) 1080i60 (1920x1080)	selectable	Ethernet connector	RJ-45 female	
Frame rate	1, 2, 3, 4, 6, 8, 10, 15, 20, 25, 30, 60		Ethernet Protocols		
Output bit rate	32 kbps...10 Mbps	primary stream	Network	IPv4/v6, TCP, UDP, IGMP, ICMP, DHCP, HTTP, HTTPS, RTP, RTSP, FTP, SNMP, SMTP, UPnP, WSD, Zeroconf, NTP, DDNS	
Latency	< 300 ms	enc-dec	Security API	RTSP and HTTP authentication, HTTPS, IP address filtering SDK, ONVIF, PSIA, SNMP	
Video pre-processing	Text overlay, colour control		Management		
Video content analysis	Motion detection		Diagnostics	WebUI, ONVIF, SNMP	
			Software update	Local or remote via WebUI	
			Recording	Local Network	External SD-card/USB FTP
Data			General		
Number of channels	2		Supply voltage	12 V DC / 800 mA Power over Ethernet PD (802.3af)	
Data 1	RS232		Power consumption	9.6 W	
Data 2	RS422/485		PSU connector	DC plug	
Data rate*	2.4...115.2 kbps		Dimensions (H x W x D)	33 x 134 x 125 mm (1.3 x 5.3 x 4.9") Without BNC conn.	
PTZ protocols	see a note **		Weight	0.5 kg (4.19 lbs)	
Connector	Removable terminal		Operating temperature	-10...+50 °C (14...122 °F)	
			Storage temperature	-40...+80 °C (-40...+349 °F)	
			EMC	EN 55022 Class A, EN 50130-4 EN 61000-3-2, EN 61000-3-3	
Audio			Included accessories		
Number of channels	2		12 VDC universal mains adapter and wall mount brackets included		
Audio level	4.02 dBu, input gain adjustable		Notes		
Algorithm	G.711 AAC-LC	8 kHz 32 kHz	* The available RS-data bit rates are 2400, 4800, 9600, 19200, 38400, 57600 and 115200 bps.		
Data rate	64 kbps 64 kbps, 128 kbps	G.711 AAC-LC	** The list of supported protocols is extended along with new FW releases. The current supported protocols include: Pelco-D, Pelco-P, Samsung, Sanyo, Sony, Vicon, Kalatel, American Dynamics, Forward Vision, Everfocus, Dynacolor and Bosch.		
Connector	3.5 mm stereo jack		Line-in, line-out		