



Washer Tanks With Integral Pump

WP Series

- AISI304 Stainless Steel frame construction
- 5, 10 and 25 litres reservoirs capacities
- 5, 10 and 15 m max delivery head pumps
- Easy installation and maintenance
- Weatherproof standard IP56
- Optional float switch



■ WP5, WP10 and WP25
Washer tanks for camera housings with wiper systems

- When using a camera housing with wiper, a very important part of the system is the washer tank with pump. Tecnovideo produces a wide range of water reservoirs with different pumping height capabilities. Every washer tank is supplied with a stainless steel frame and a watertight plastic enclosure that contains the power supply for the self-priming submersible pump located inside the tank. 5, 10, 25 litres tanks are available with 5, 10, 15 metres max delivery head and different supply voltages, to meet every installation requirement.

TECHNICAL SPECIFICATIONS

DIMENSIONS AND WEIGHT

Dimensions See drawings next page

Weight [kg]

Model	Empty Unit	Package
WP5	3	4
WP10	4	5
WP25	7	8

ELECTRICAL

Input voltage

Standard 24 or 240 VAC (upon request: 110 VAC, 24 VDC)

Power consumption [W]

Model	Power consumption
5 metres pump	45
10 metres pump	70
15 metres pump	120

OPTIONAL ACCESSORIES

- Nozzle for wiper camera housings
- 24V~ control interface board (suitable for RX250DC telemetry Rx)
- Open Collector control interface board
- Float switch and empty tank alarm output
- IP66 rated plastic junction box

CERTIFICATIONS

IP56 standard (plastic junction box)

MODELS

WP5-5m	5 Litres tank, 5 metres delivery head
WP5-10m	5 Litres tank, 10 metres delivery head
WP10-5m	10 Litres tank, 5 metres delivery head
WP10-10m	10 Litres tank, 10 metres delivery head
WP25-5m	25 Litres tank, 5 metres delivery head
WP25-10m	25 Litres tank, 10 metres delivery head
WP25-15m	25 Litres tank, 15 metres delivery head

GENERAL

Frame

Construction: AISI304 Stainless Steel

Finish: Electro-polished

Tank Material

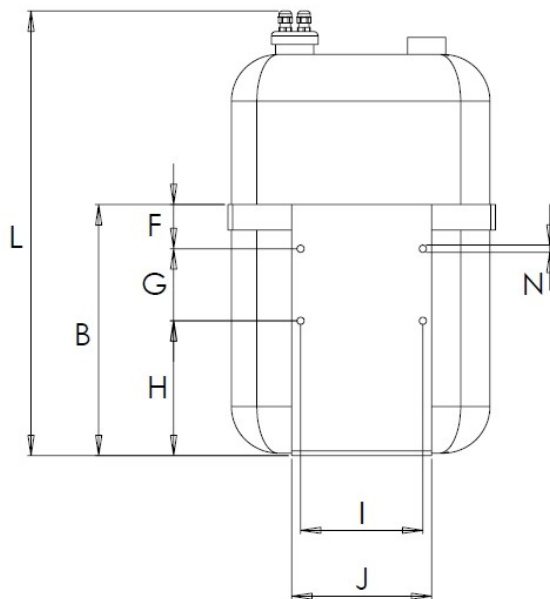
Polyethylene high density and molecular weight (HDPE HMW) highly resisting to chemical products

Hose Material

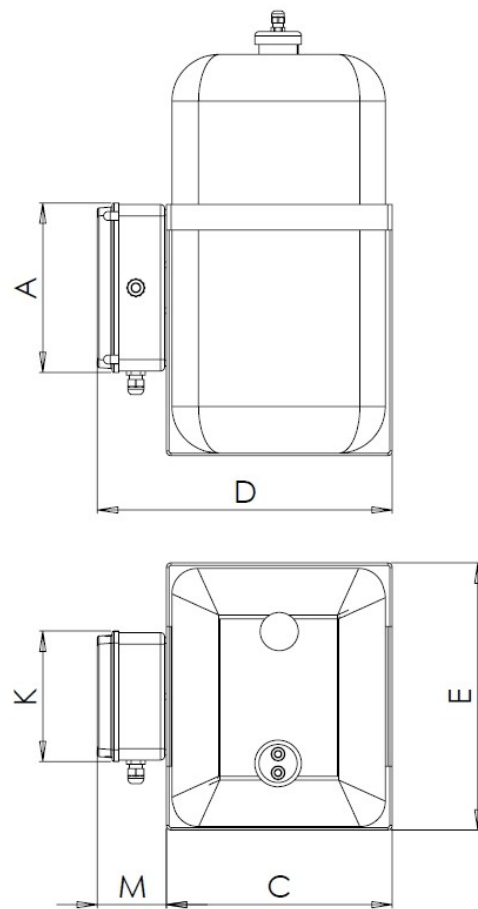
EPDM black rubber 4x6mm diameter

Dimensions

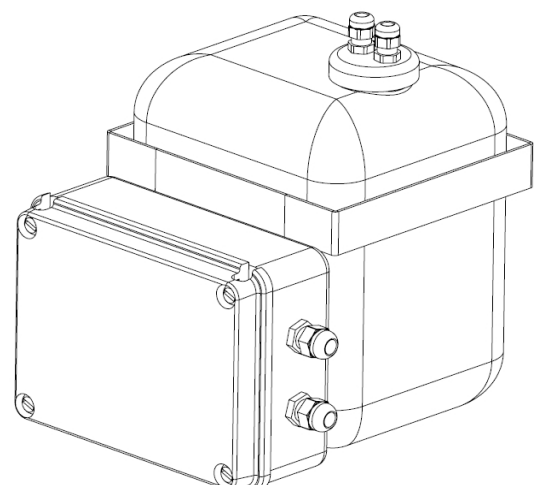
REAR VIEW



SIDE VIEW



	WP5	WP10	WP25
A	154	200	200
B	185	250	296
C	178	200	266
D	259	281	347
E	190	235	315
F	75	110	52
G	85	85	85
H	25	55	159
I	88	88	88
J	110	165	165
K	150	150	150
L	260	340	500
M	81	81	81
N	8,5	8,5	8,5



Position of the junction box on WP5