



## Mounting Brackets and Adapters

For use in highly corrosive environments  
 AISI316L Stainless Steel construction  
 Suitable for every housing  
 Easy installation  
 Refined and modern design

# Accessories

- Placing a stainless steel camera housing in a safe and solid way is essential for quality viewings. For this reason, Tecnovideo proposes a series of mounting accessories suitable for each of camera housings available. Tecnovideo makes available a set of stainless steel wall mounting brackets with swivel joint and a set of pole and corner mount adapters.

Every bracket is entirely made in AISI316L stainless steel to guarantee duration and reliability in every environment, even the worst.



■ SSBK129  
Stainless steel wall mounting bracket with swivel joint

### MODELS

|             |                                                 |
|-------------|-------------------------------------------------|
| SSBK129     | Wall mounting bracket for 129 Series            |
| SSBK129AC   | Wall mounting bracket for 129AC Series          |
| SSBK129CLN  | Ceiling mounting bracket for 129 Series         |
| SSBK129LC   | Wall mounting bracket for 129LC Series          |
| SSBK168     | Wall mounting bracket for 168 Series            |
| SSBK168LC   | Wall mounting bracket for 168LC Series          |
| SSBK204     | Wall mounting bracket for 204 Series            |
| SSBK254     | Wall mounting bracket for 254 Series            |
| SSBK250     | Wall mounting bracket for VSPT250 Series        |
| SSBK500     | Wall mounting bracket for VSPT250D Series       |
| SSCM101     | Corner mount adapter for 101 Series             |
| SSCM129     | Corner mount adapter for SSBK129                |
| SSCM129AC   | Corner mount adapter for SSBK129AC              |
| SSPM101     | Pole mount adapter for 101W Series              |
| SSPM129     | Pole mount adapter for SSBK129                  |
| SSPM129AC   | Pole mount adapter for SSBK129AC                |
| SSPM129LC   | Pole mount adapter for SSBK129LC                |
| SSPM168     | Pole mount adapter for SSBK168                  |
| SSPM168LC   | Pole mount adapter for SSBK168LC                |
| SSPM204     | Pole mount adapter for SSBK204                  |
| SSPM250     | Pole mount adapter for SSBK250                  |
| SSPM254     | Pole mount adapter for SSBK254                  |
| SSPTM129    | Pole top mount with swivel joint for 129 Series |
| CMTB-LCD    | Steel support for LCD monitors                  |
| CMTB-LCD-SS | Stainless Steel support for LCD monitors        |

## TECHNICAL SPECIFICATIONS

### GENERAL

**Construction:** AISI316L Stainless Steel  
**Finish:** Electro-polished

### DIMENSIONS AND WEIGHT

#### Dimensions

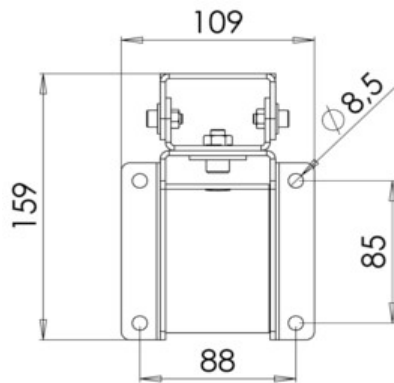
See drawings next page

#### Weight [kg]

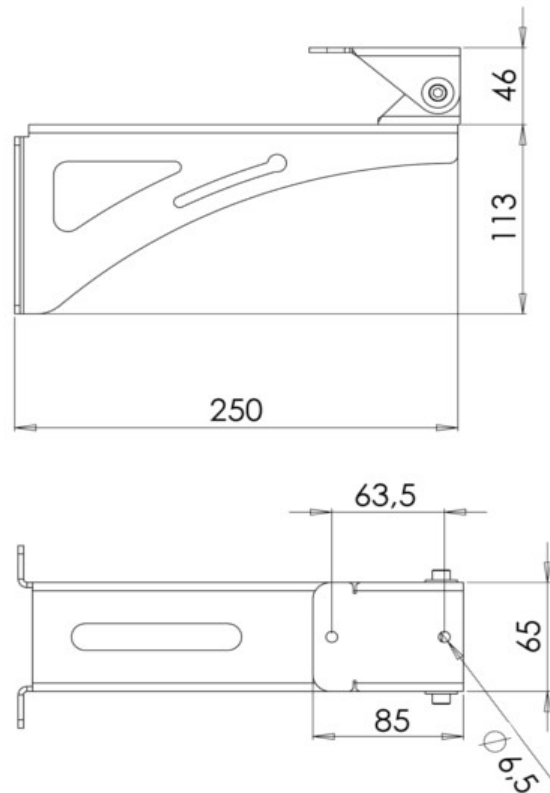
| Model                               | Unit | Package |
|-------------------------------------|------|---------|
| SSBK129/SSBK129AC                   | 2    | 3       |
| SSBK129CLN                          | 3    | 4       |
| SSBK129LC/SSBK168/SSBK168LC/SSBK204 | 5    | 6       |
| SSBK254                             | 7    | 8       |
| SSBK250                             | 4    | 5       |
| SSBK500                             | 8    | 9       |
| SSCM101/SSCM129/SSCM129AC           | 2    | 3       |
| SSPM101/SSPM129/SSPM129AC           | 3    | 4       |
| SSPM129LC/SSPM168/SSPM168LC/SSPM204 | 5    | 6       |
| SSPM250                             | 5    | 6       |
| SSPM254                             | 5    | 6       |
| SSPTM129                            | 1    | 1,5     |
| CMTB-LCD                            | 3    | 4       |
| CMTB-LCD-SS                         | 3    | 4       |

# Dimensions

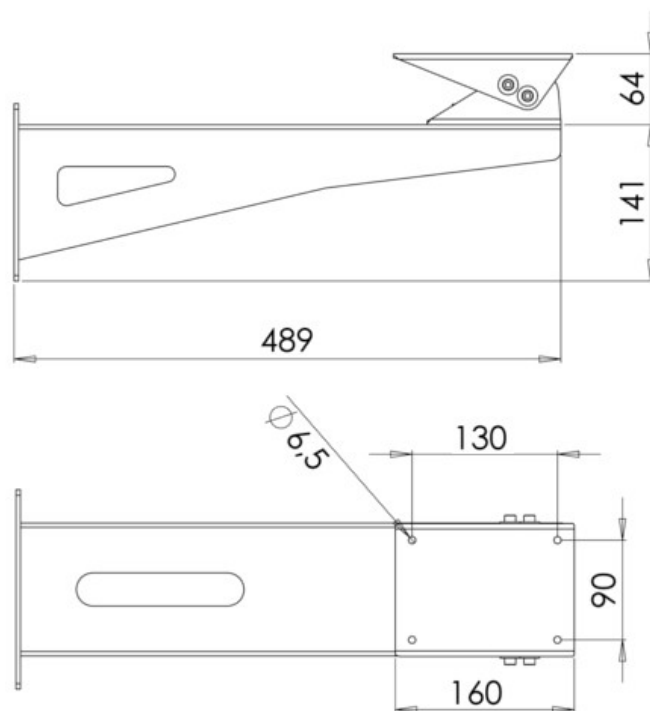
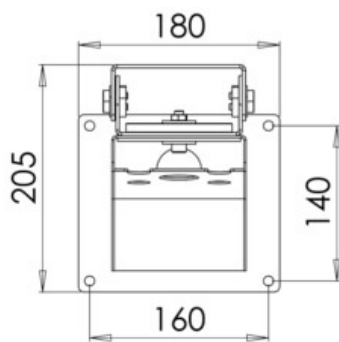
**FRONTAL VIEW**



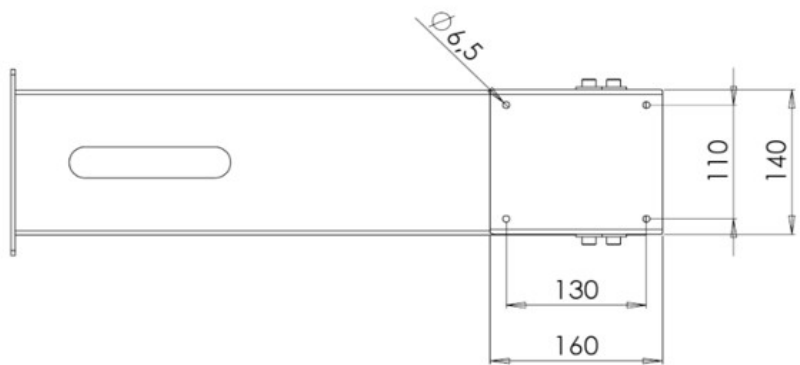
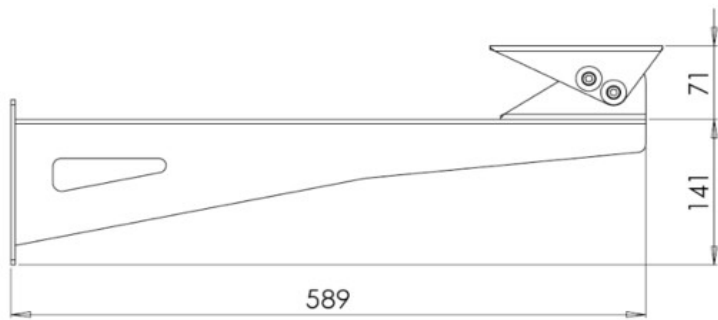
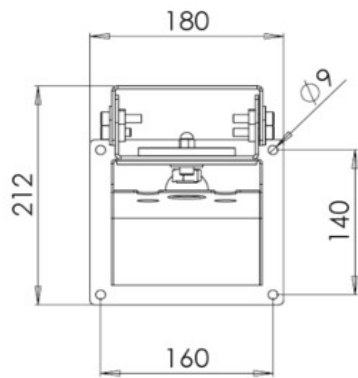
**SIDE VIEW**



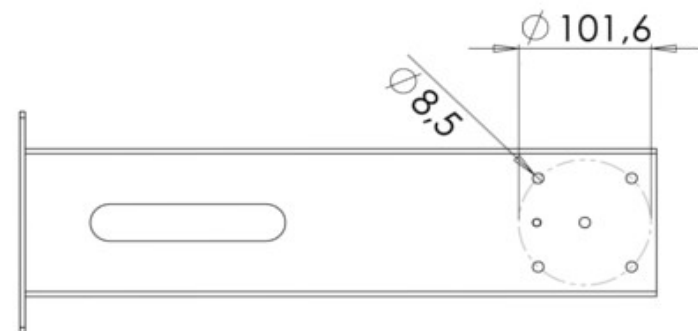
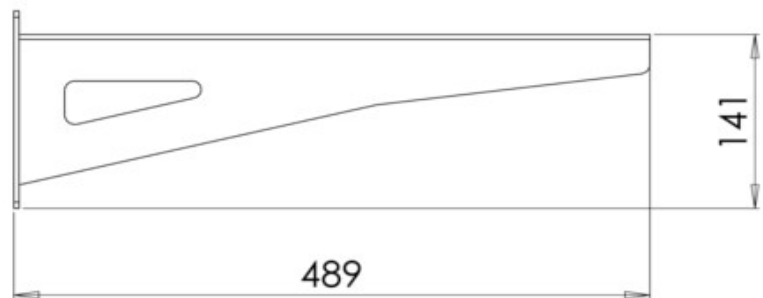
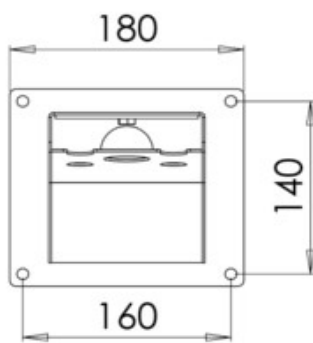
SSBK129/SSBK129AC orthographic views



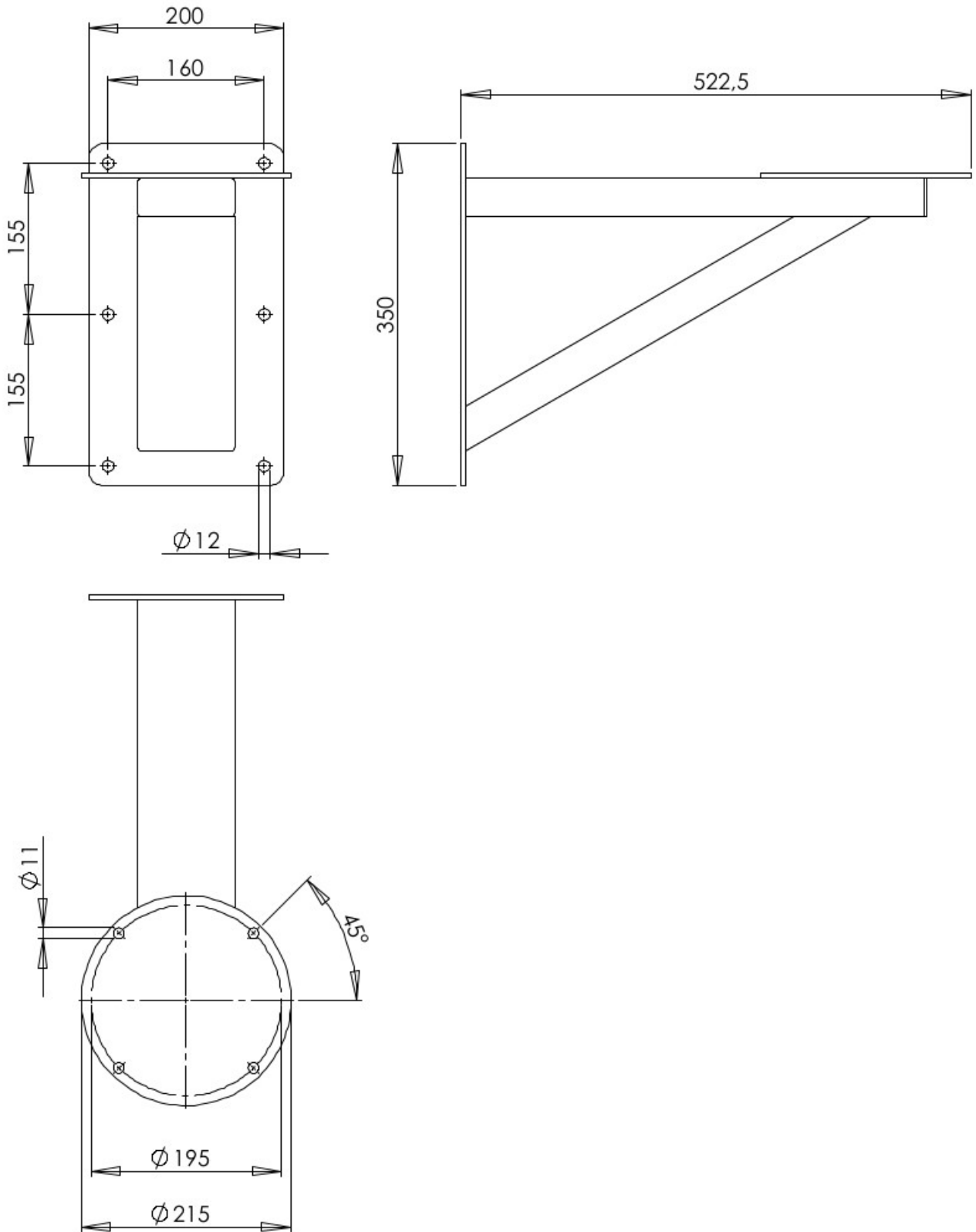
SSBK129LC/SSBK168/SSBK168LC/SSBK204 orthographic views



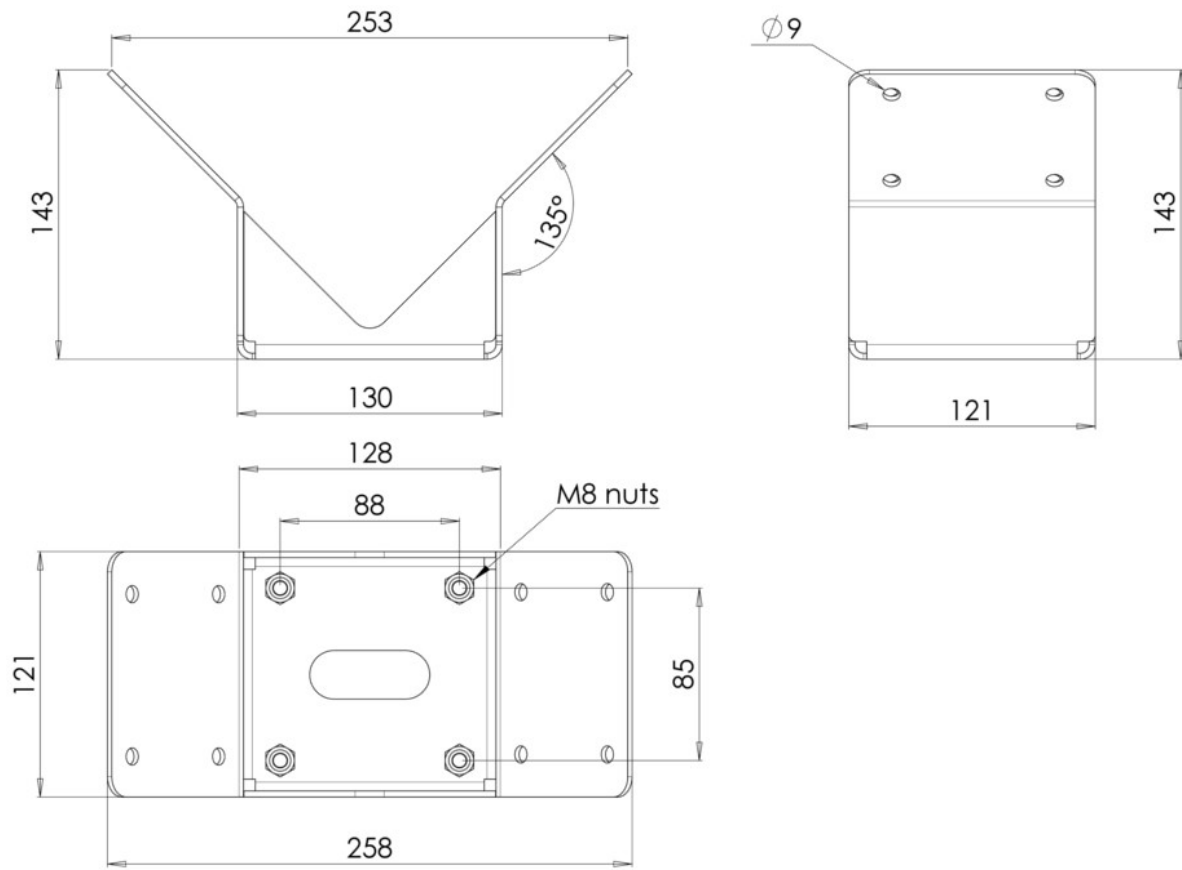
SSBK254 orthographic views



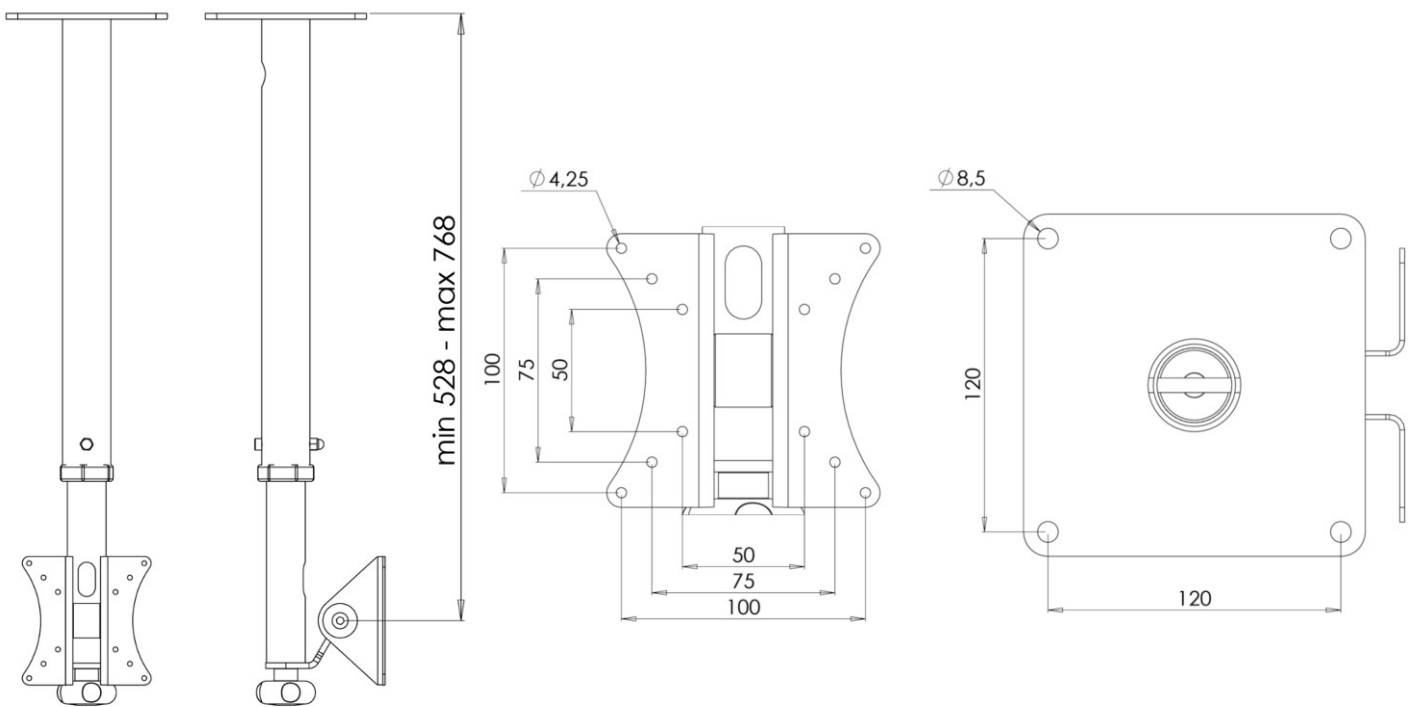
SSBK250 orthographic views



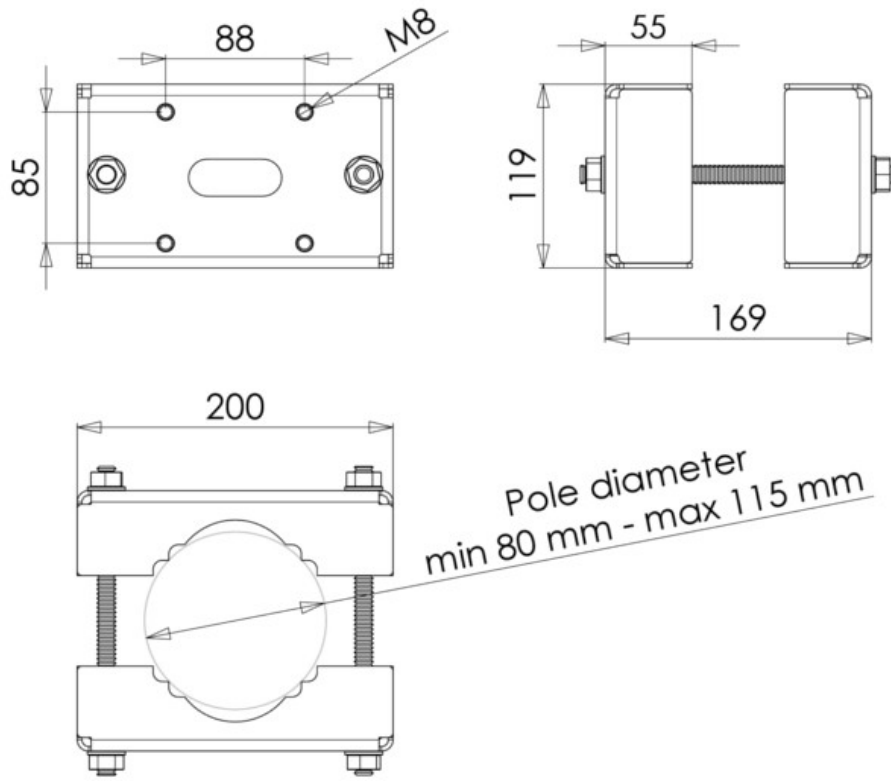
SSBK500 orthographic views



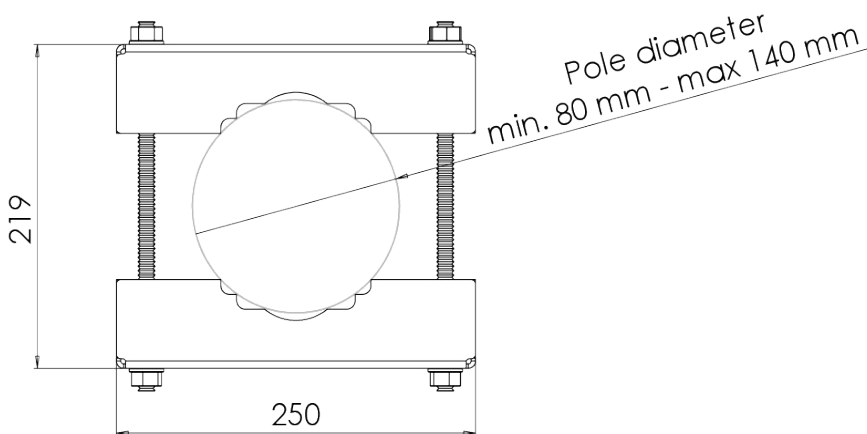
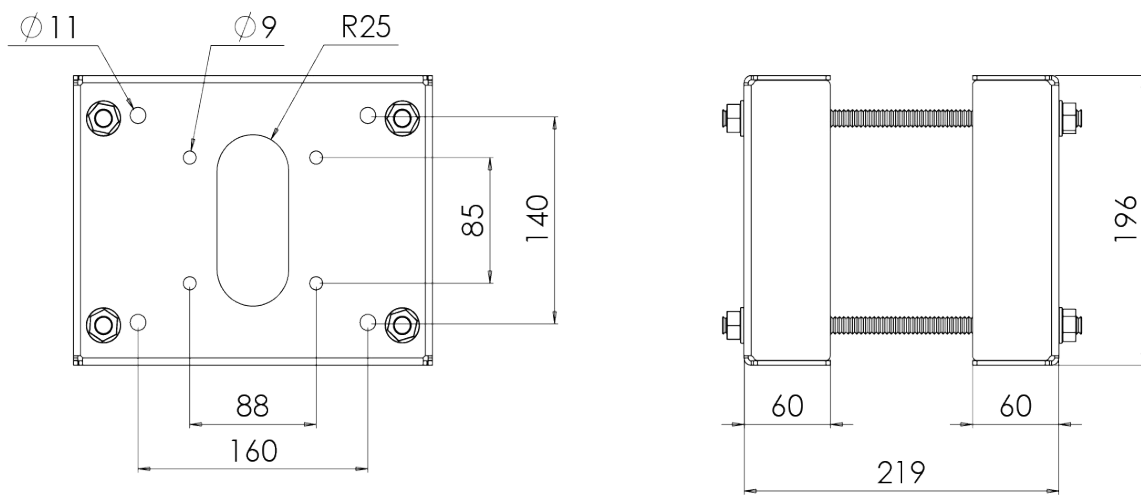
SSCM101/SSCM129/SSCM129AC orthographic views



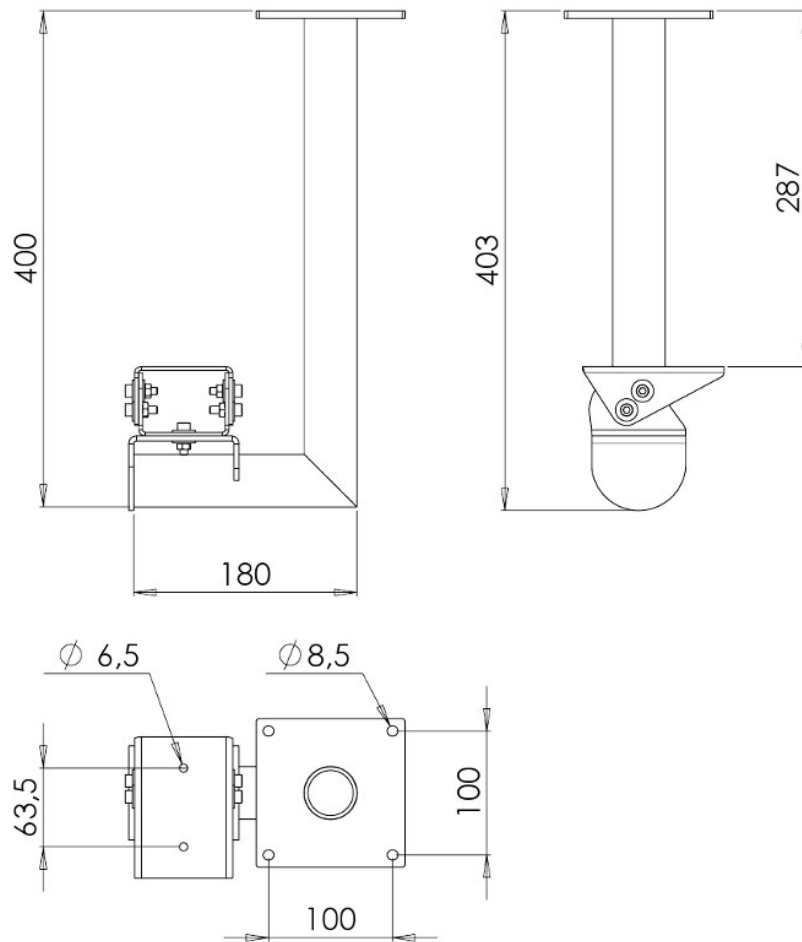
CMTB-LCD/CMTB-LCD-SS orthographic views



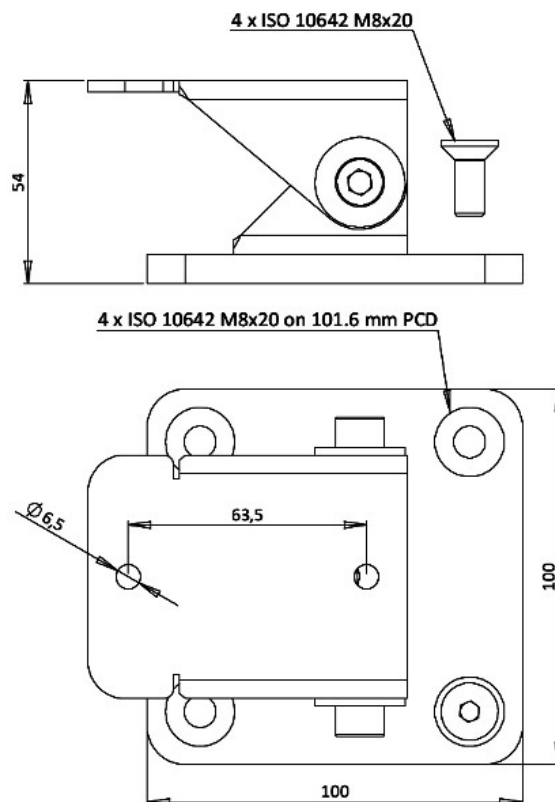
SSPM101/SSPM129/SSPM129AC orthographic views



SSPM129LC/SSPM168/SSPM168LC/SSPM204/SSPM250/SSPM254 orthographic views



SSBK129CLN orthographic views



SSPTM129 orthographic views