



## Mounting Brackets and Adapters

For use in highly corrosive environments  
 AISI316L Stainless Steel construction  
 Suitable for every housing  
 Easy installation  
 Refined and modern design

# Accessories

- Placing a stainless steel camera housing in a safe and solid way is essential for quality viewings. For this reason, Tecnovideo proposes a series of mounting accessories suitable for each of camera housings available. Tecnovideo makes available a set of stainless steel wall mounting brackets with swivel joint and a set of pole and corner mount adapters.

Every bracket is entirely made in AISI316L stainless steel to guarantee duration and reliability in every environment, even the worst.



■ SSBK129  
Stainless steel wall mounting bracket with swivel joint

### MODELS

SSBK129	Wall mounting bracket for 129 Series
SSBK129AC	Wall mounting bracket for 129AC Series
SSBK129CLN	Ceiling mounting bracket for 129 Series
SSBK129LC	Wall mounting bracket for 129LC Series
SSBK168	Wall mounting bracket for 168 Series
SSBK168LC	Wall mounting bracket for 168LC Series
SSBK204	Wall mounting bracket for 204 Series
SSBK254	Wall mounting bracket for 254 Series
SSBK250	Wall mounting bracket for VSPT250 Series
SSBK500	Wall mounting bracket for VSPT250D Series
SSCM101	Corner mount adapter for 101 Series
SSCM129	Corner mount adapter for SSBK129
SSCM129AC	Corner mount adapter for SSBK129AC
SSPM101	Pole mount adapter for 101W Series
SSPM129	Pole mount adapter for SSBK129
SSPM129AC	Pole mount adapter for SSBK129AC
SSPM129LC	Pole mount adapter for SSBK129LC
SSPM168	Pole mount adapter for SSBK168
SSPM168LC	Pole mount adapter for SSBK168LC
SSPM204	Pole mount adapter for SSBK204
SSPM250	Pole mount adapter for SSBK250
SSPM254	Pole mount adapter for SSBK254
SSPTM129	Pole top mount with swivel joint for 129 Series
CMTB-LCD	Steel support for LCD monitors
CMTB-LCD-SS	Stainless Steel support for LCD monitors

## TECHNICAL SPECIFICATIONS

### GENERAL

**Construction:** AISI316L Stainless Steel  
**Finish:** Electro-polished

### DIMENSIONS AND WEIGHT

#### Dimensions

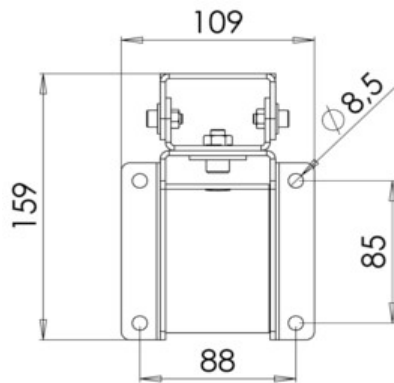
See drawings next page

#### Weight [kg]

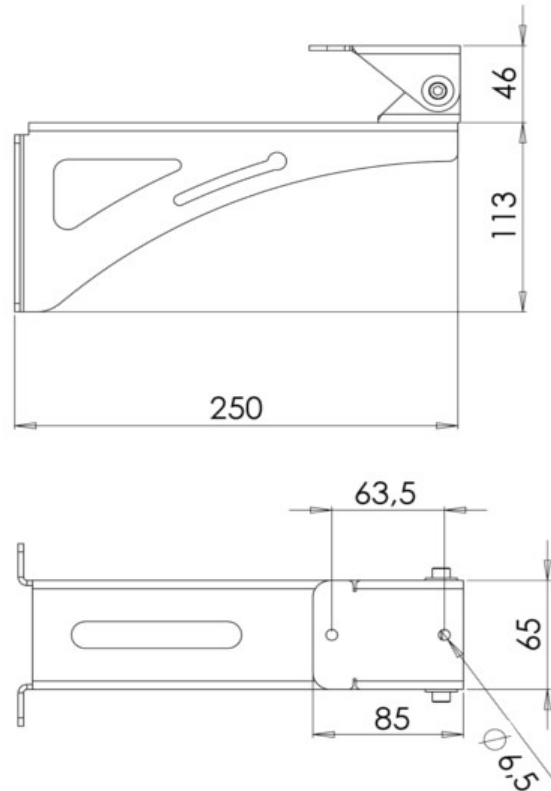
Model	Unit	Package
SSBK129/SSBK129AC	2	3
SSBK129CLN	3	4
SSBK129LC/SSBK168/SSBK168LC/SSBK204	5	6
SSBK254	7	8
SSBK250	4	5
SSBK500	8	9
SSCM101/SSCM129/SSCM129AC	2	3
SSPM101/SSPM129/SSPM129AC	3	4
SSPM129LC/SSPM168/SSPM168LC/SSPM204	5	6
SSPM250	5	6
SSPM254	5	6
SSPTM129	1	1,5
CMTB-LCD	3	4
CMTB-LCD-SS	3	4

# Dimensions

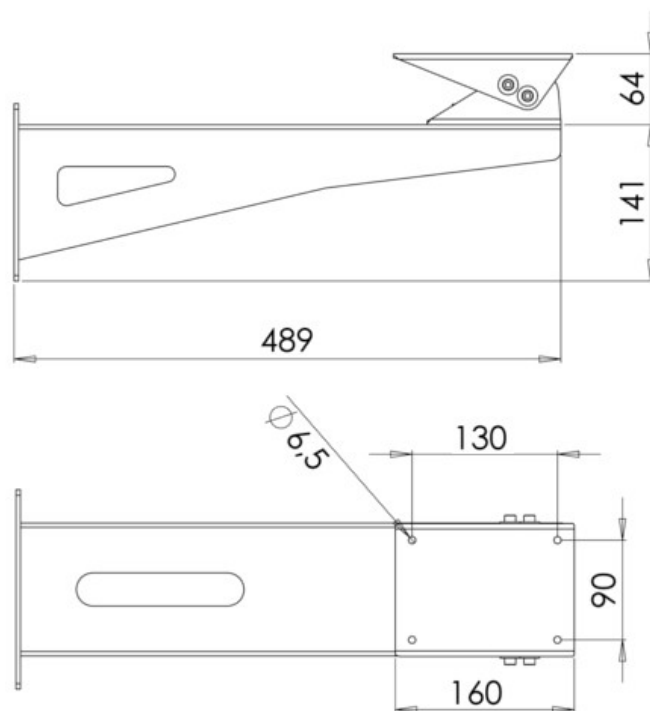
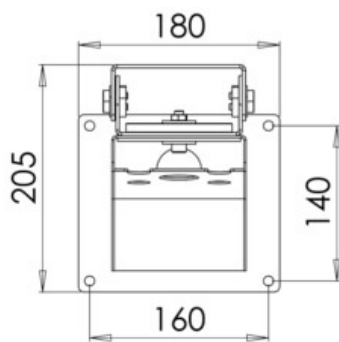
**FRONTAL VIEW**



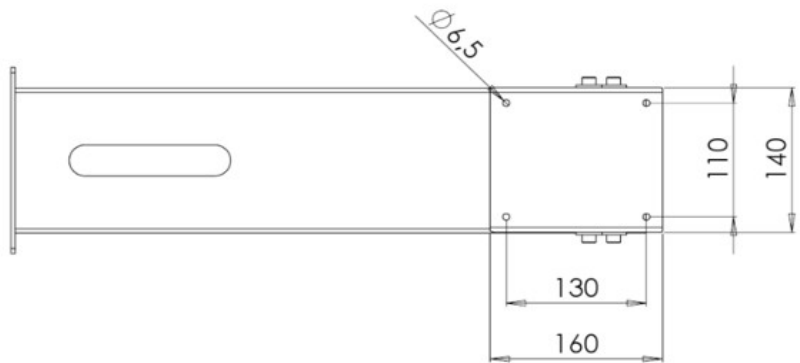
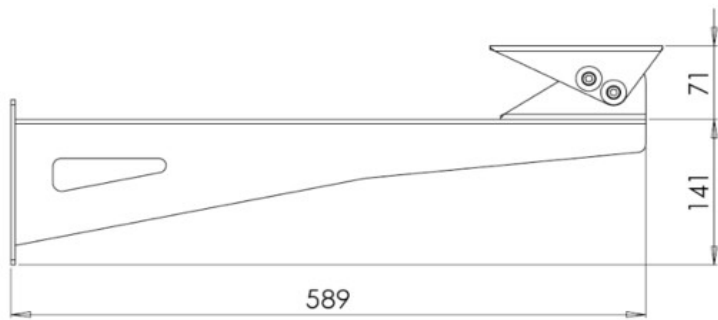
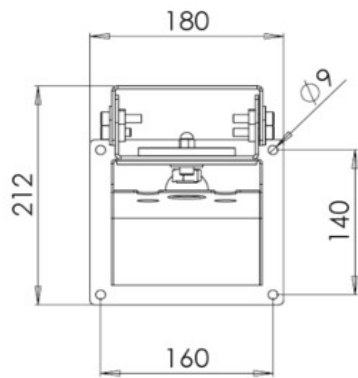
**SIDE VIEW**



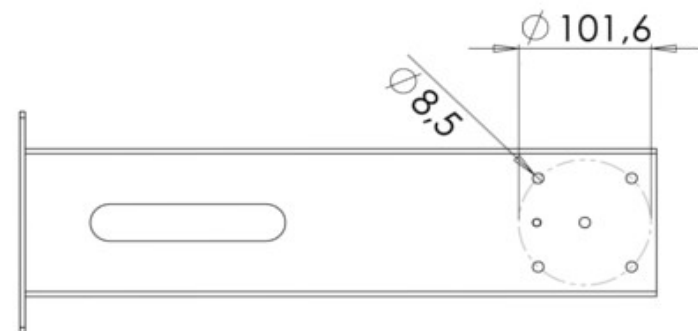
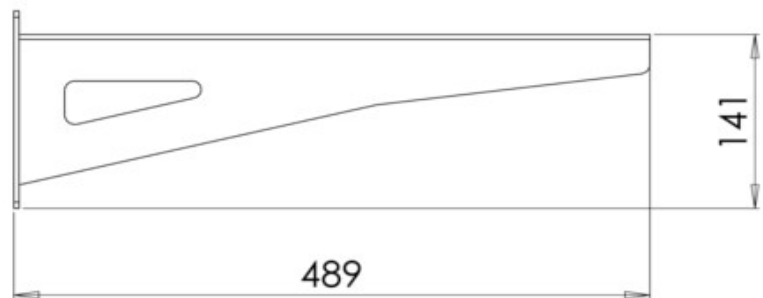
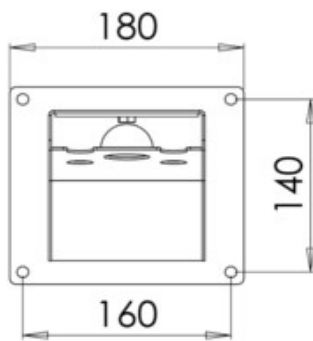
SSBK129/SSBK129AC orthographic views



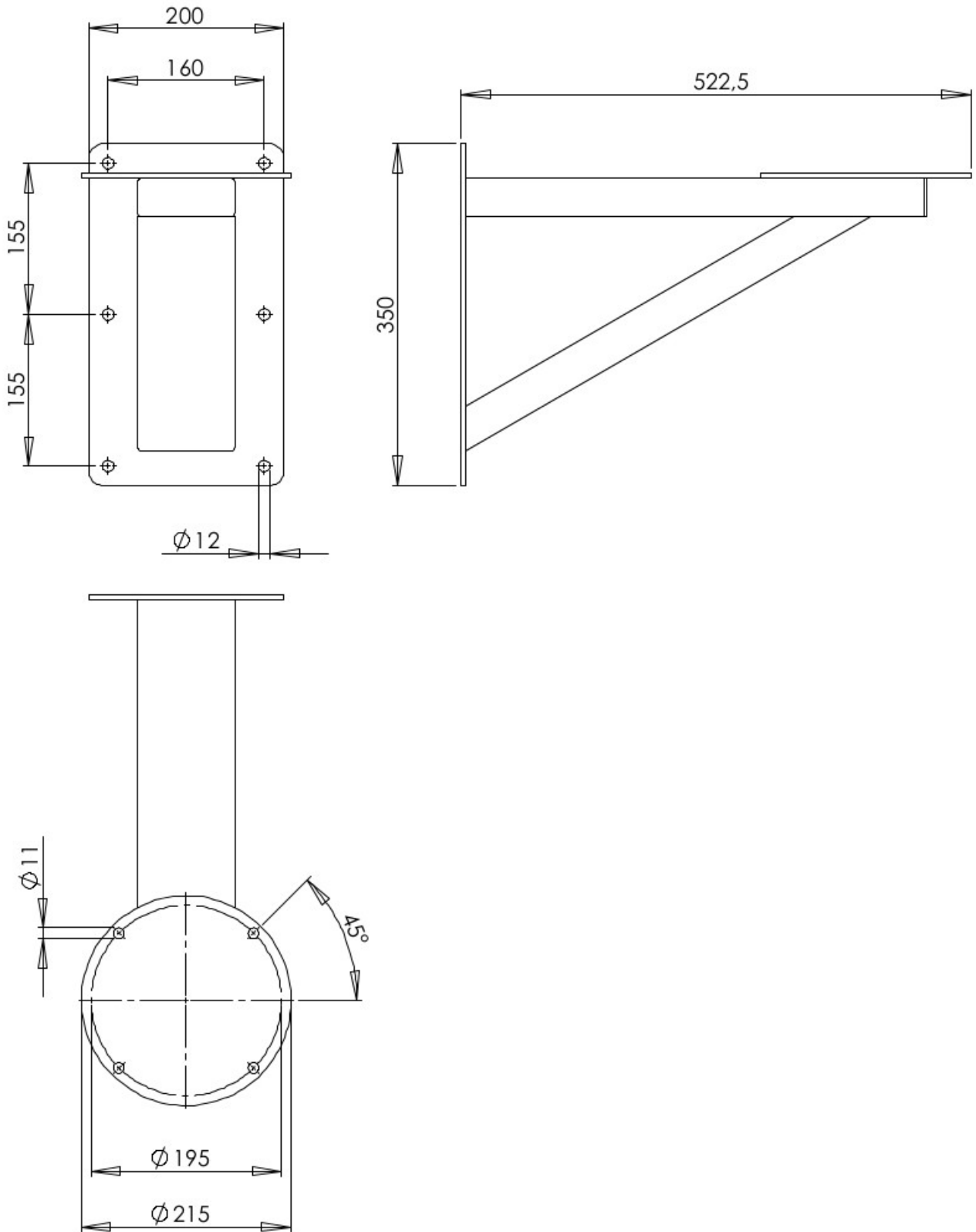
SSBK129LC/SSBK168/SSBK168LC/SSBK204 orthographic views



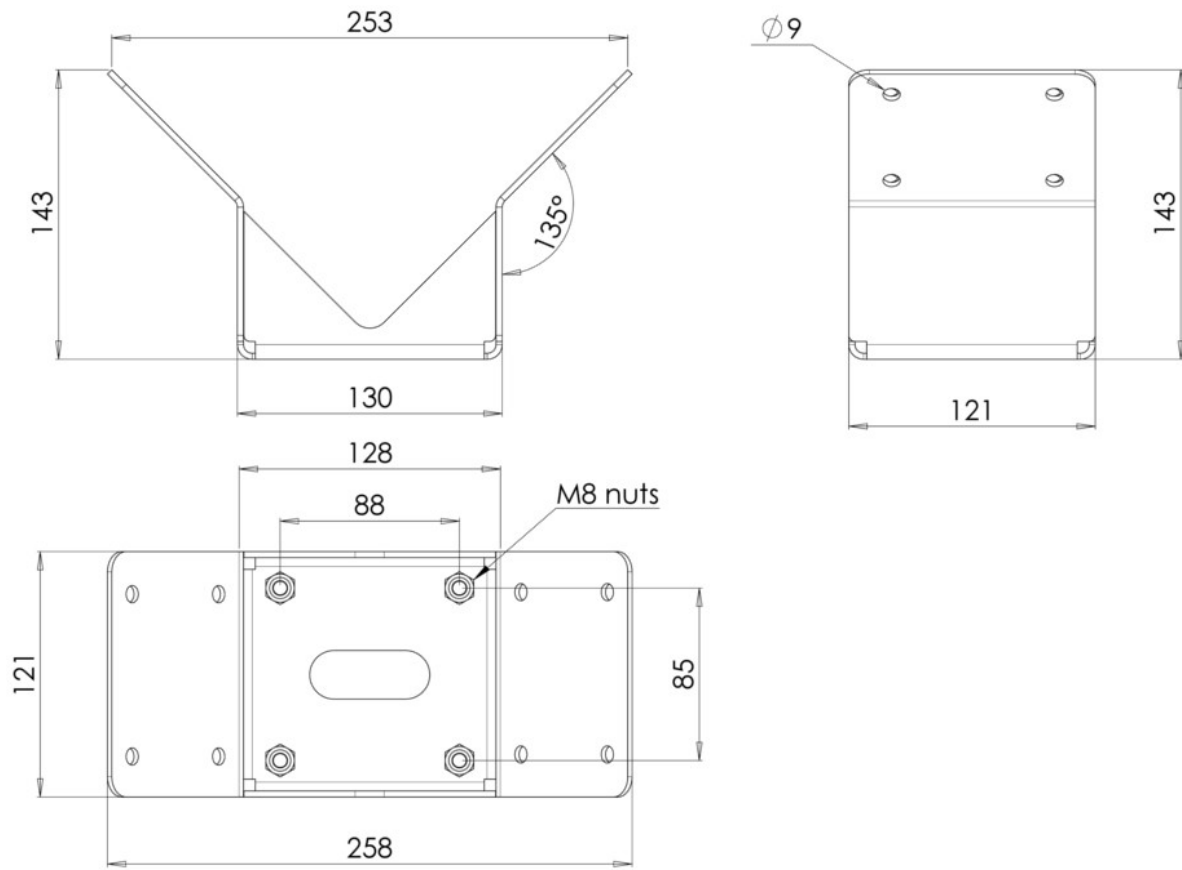
SSBK254 orthographic views



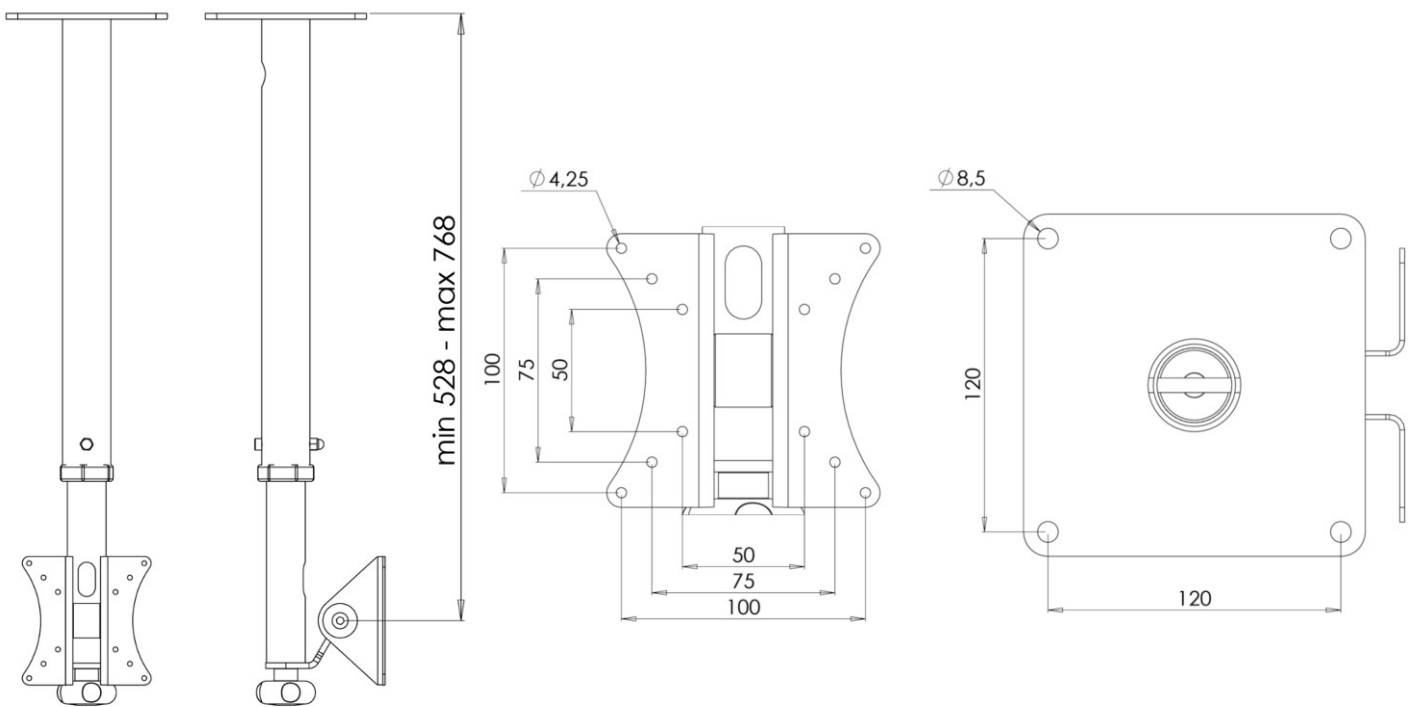
SSBK250 orthographic views



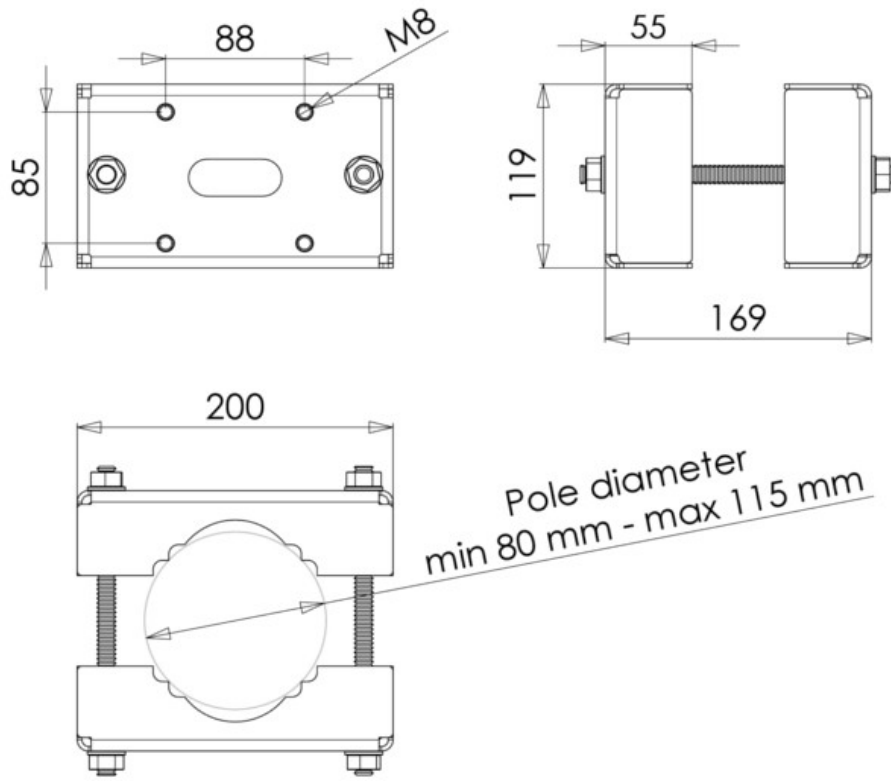
SSBK500 orthographic views



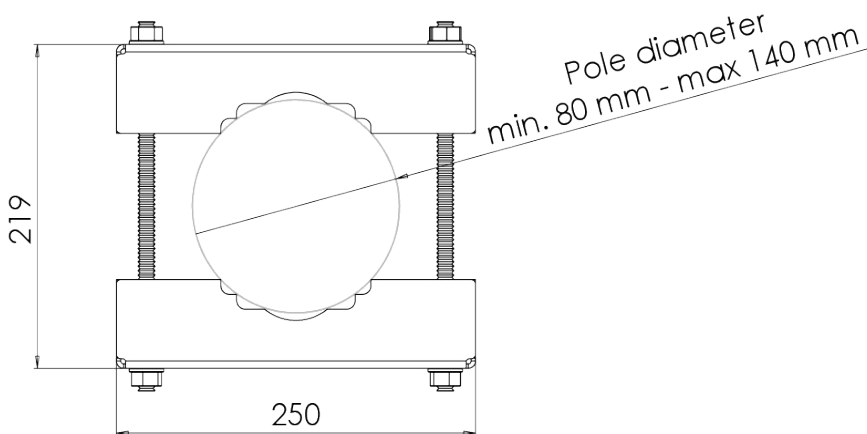
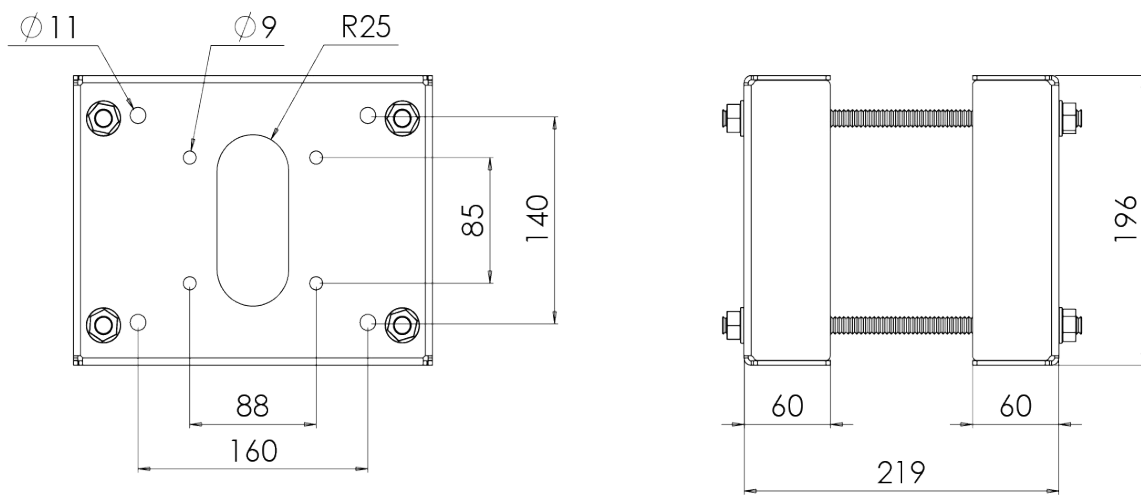
SSCM101/SSCM129/SSCM129AC orthographic views



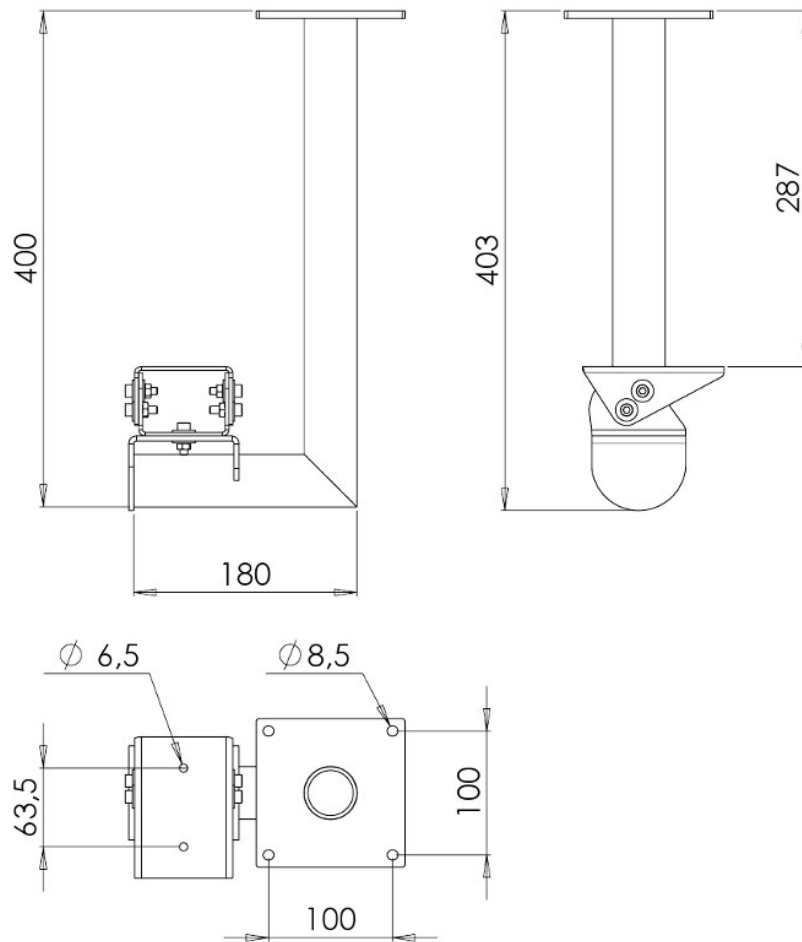
CMTB-LCD/CMTB-LCD-SS orthographic views



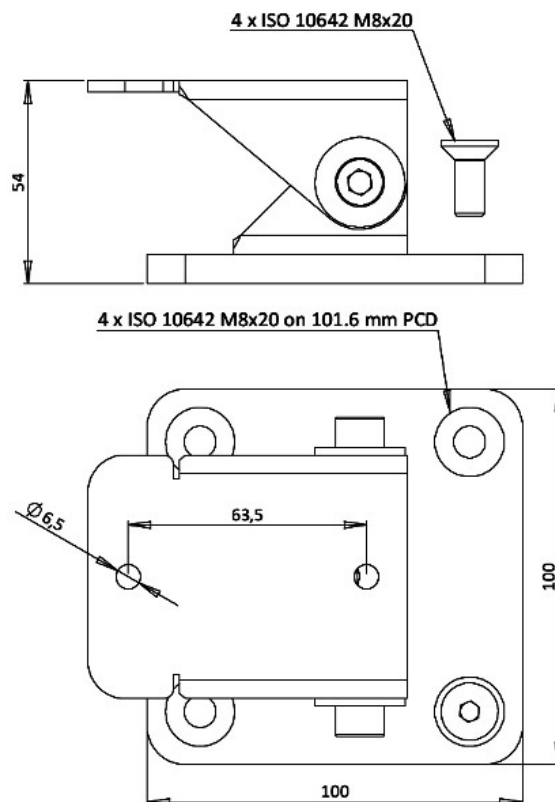
SSPM101/SSPM129/SSPM129AC orthographic views



SSPM129LC/SSPM168/SSPM168LC/SSPM204/SSPM250/SSPM254 orthographic views



SSBK129CLN orthographic views



SSPTM129 orthographic views