

Stainless Steel PTZ Camera Stations

AISI316L Stainless Steel construction
For use in highly corrosive environments
Weatherproof standard IP66/IP67
Built-in telemetry receiver
Variable Speed

PTZ250 Series



■ PTZ250D
PTZ Camera Station with dual housing



■ PTZ250WW
PTZ Camera Station with wiper

- Tecnovideo PTZ250 Series is a new series of stainless steel PTZ camera stations designed for hostile and corrosive environments.

The new PTZ units are entirely made in electro-polished AISI316 stainless steel to grant durability and endurance in the most severe conditions, such as Industrial, Marine and Offshore installations.

Tecnovideo's PTZ camera stations offer fully protected internal cabling, fixed cable entry through the base mount junction box, variable speed motors, sunshield, heater/demister, wiper, built-in telemetry receiver (Pelco protocol compatible), IP66/IP67 protection.

Three different models are available:

- PTZ250WW with Day/Night zoom cameras;
- PTZ250IR with IR thermal imaging cameras;
- PTZ250D with dual Day/Night and IR cameras.

The PTZ250 Series can be provided with default Tecnovideo's cameras or completely pre-built and pre-wired using Customer's cameras.

Customisation is available upon request.

Technical Specifications

MODELS

PTZ250WW	Electro-polished AISI316L Stainless Steel PTZ camera station. IP66/IP67. Sunshield, heater/demister, wiper, for Day/Night cameras. Built-in telemetry receiver. Variable speed motors. Fixed cable entry (M25x1,5) with base mount junction box.
PTZ250IR	Electro-polished AISI316L Stainless Steel PTZ camera station. IP66/IP67. Sunshield, heater/demister, Germanium front window (usable \varnothing 70 mm; thickness 3 mm; AR/DLC coating). Built-in telemetry receiver. Variable speed motors. Fixed cable entry (M25x1,5) with base mount junction box.
PTZ250D	Electro-polished AISI316L Stainless Steel PTZ camera station. IP66/IP67. Dual housing: sunshield, heater/demister, wiper for Day/Night cameras; sunshield, heater/demister, Germanium front window (usable \varnothing 70 mm; thickness 3 mm; AR/DLC coating) for thermal imaging cameras. Built-in telemetry receiver. Variable speed motors. Fixed cable entry (M25x1,5) with base mount junction box.

GENERAL & MECHANICAL

Construction:	AISI316L Stainless Steel
Finish:	Electro-polished
Operating Temperature:	-20° +55°C (-4° +131° F)
Dimensions:	See drawings next page

Pan Angle:	360° (\pm 180°)
Pan Speed:	0 – 18°/second
Pan Torque:	80 Nm

Tilt Angle:	180° (\pm 90°)
Tilt Speed:	0 – 9°/second
Tilt Torque:	107 Nm

Backlash: <0.1°

WEIGHT

Model	Weight
PTZ250WW	25 (without cameras)
PTZ250IR	24 kg (without cameras)
PTZ250D	37 kg (without cameras)

Mounting: 4x \varnothing 11 on 195 mm PCD

Rotation Angle:
Electronically adjustable.

Cable entries:
1 M25x1,5 cable entry on base mount junction box.

CERTIFICATION

Weatherproof standard: IP66/IP67
CE Compliant

ELECTRICAL

Supply voltage: 24 VAC (110VAC or 230VAC available upon request)

Power consumption: 70W max

MOUNTING ACCESSORIES

SSBK500 AISI316L Stainless Steel wall mounting bracket for PTZ250 Series

CUSTOMISATION OPTIONS

Please contact us for further information.

RECOMMENDED WASHER PUMPS

A wide range of water reservoirs with different pumping height capabilities is available.

WP Series (tanks with stainless steel frame)

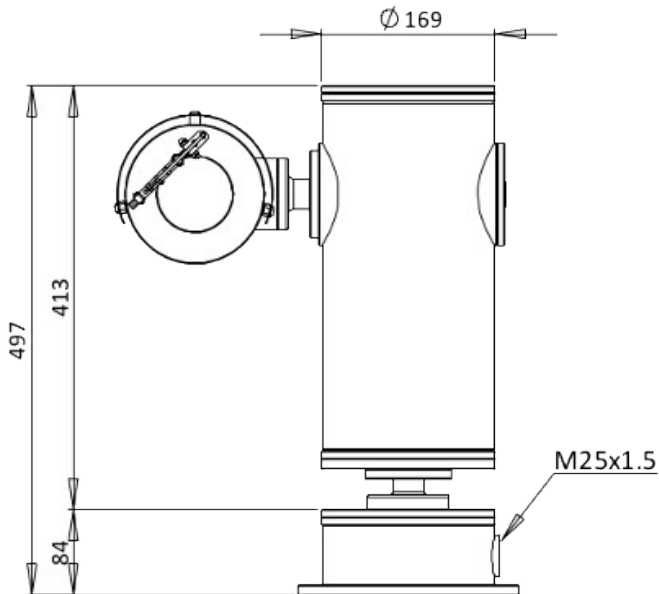
WP5-5m	5 Litres tank, 5 metres delivery head
WP5-10m	5 Litres tank, 10 metres delivery head
WP10-5m	10 Litres tank, 5 metres delivery head
WP10-10m	10 Litres tank, 10 metres delivery head
WP25-5m	25 Litres tank, 5 metres delivery head
WP25-10m	25 Litres tank, 10 metres delivery head
WP25-15m	25 Litres tank, 15 metres delivery head

WP-SSC Series (tanks with stainless steel cabinet)

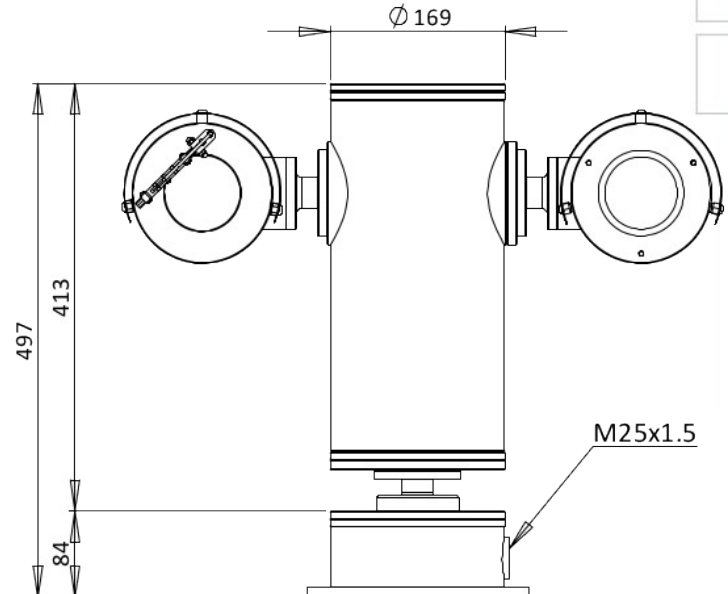
WP5-10m	5 Litres tank, 10 metres delivery head
WP10-10m	10 Litres tank, 10 metres delivery head
WP25-10m	25 Litres tank, 10 metres delivery head
WP25-15m	25 Litres tank, 15 metres delivery head

Dimensions

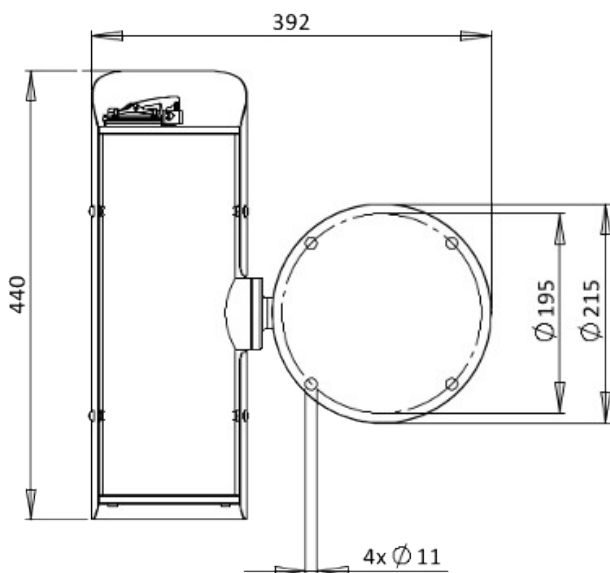
PTZ250WW/PTZ250IR FRONTAL VIEW



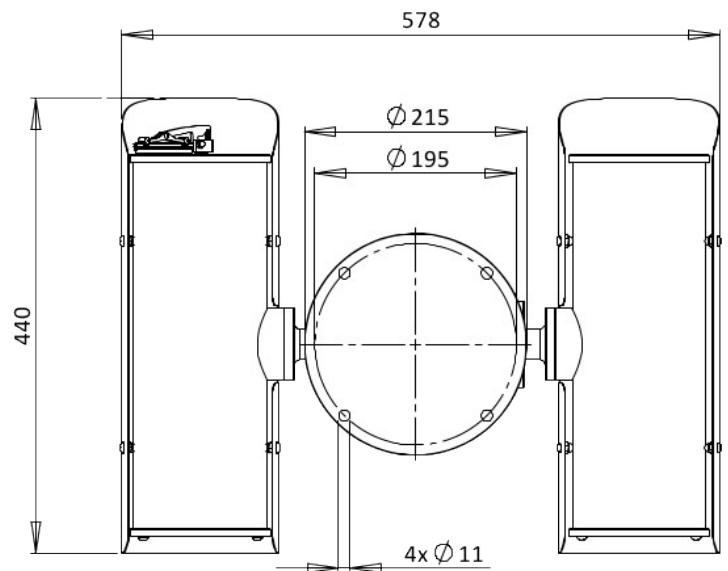
PTZ250D FRONTAL VIEW



PTZ250WW/PTZ250IR BOTTOM VIEW



PTZ250D BOTTOM VIEW



Dimensions in millimeters - Tolerances according QMS - Design and product specifications subject to change without notice