

EX stainless steel Pan & Tilt unit

For use in highly corrosive environments  
AISI316L Stainless Steel construction  
Easy installation and maintenance  
Maximum load 25 kg  
Explosion proof certified

# EXPT Series



- EXPT  
Pan & Tilt unit with dual housing

## MODELS

**EXPT** variable speed Pan & Tilt unit

## ELECTRICAL

**Supply voltage:** 24VAC  
**Power consumption:** 70W MAX

## CERTIFICATIONS

**Weatherproof standard:** IP66/IP67  
**ATEX certification:** ⓂII 2 G Ex d op pr IIC T6 T<sub>amb</sub> -40°C to +55°C  
CE compliant

## MOUNTING ACCESSORIES

SSBK250 AISI316L Stainless Steel wall mounting bracket  
SSPM250 AISI316L Stainless Steel pole mount adapter

- The EXPT Series is a reliable stand-alone Pan & Tilt unit specifically designed for Hazardous Area applications, especially for Offshore, Marine, Heavy and Food Industry and for every situation where corrosive agents may quickly damage standard aluminum-steel units. The EXPT Pan & Tilt Unit is made up of a AISI316L stainless steel cylindrical body with three end covers. Inside the cylindrical body, the Pan and Tilt Drive Motors are integrated with control and interconnection PCB. It is suitable for third party camera housings installation. Mounting brackets entirely made in AISI316L stainless steel are available.

## TECHNICAL SPECIFICATIONS

### GENERAL & MECHANICAL

**Construction:** AISI316L Stainless Steel  
**Finish:** Electro-polished  
**Operating Temperature:** -20° +55°C (-4° +131° F)  
**Dimensions:** See drawings next page

**Pan Angle:** 360° (+/-180°) or continuous rotation  
**Pan Speed:** 0 – 18°/second  
**Pan Torque:** 80 Nm

**Tilt Angle:** 180° Max (+/- 90°)  
**Tilt Speed:** 0 – 9,5°/second  
**Tilt Torque:** 107 Nm

**Backlash:** <0,1°

**Maximum load:** 25 kg

**Weight:** 29 kg

**Mounting:** 4xM8 on 101.6 mm PCD

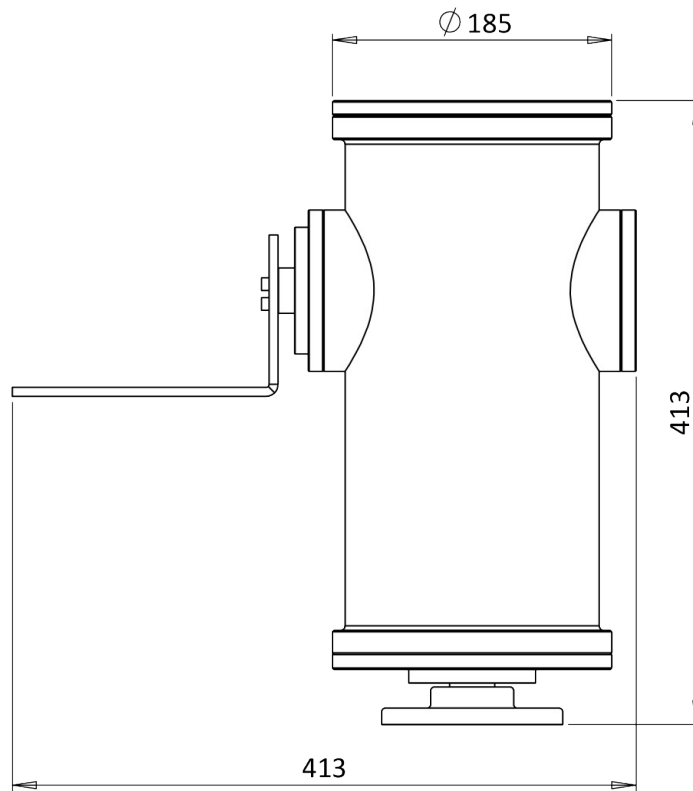
**Rotation Angle:** Electronically set via RX250DC telemetry receiver.

**Cable entries:** 2 M20x1,5 cable entry

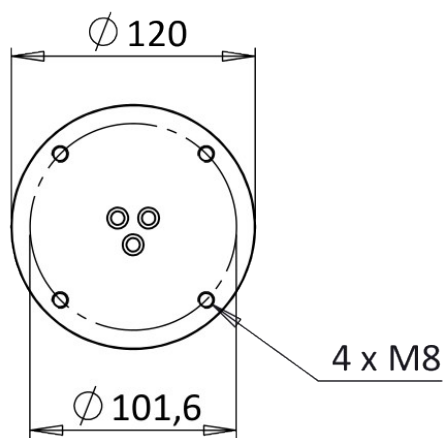
# Dimensions



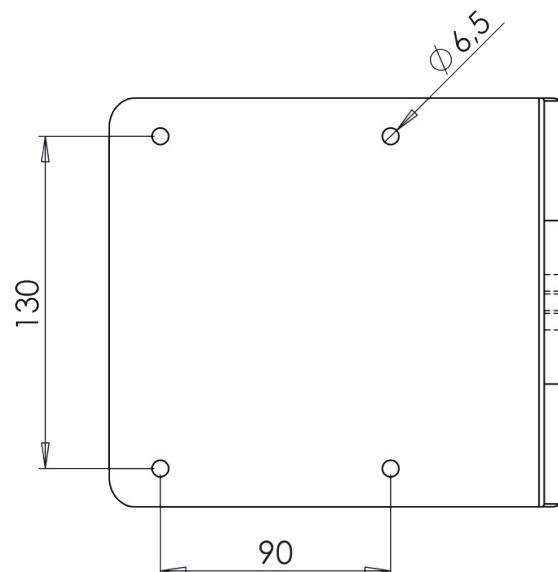
**FRONTAL VIEW**



**MOUNTING PATTERN**



**SIDE BRACKET**



Dimensions in millimeters - Tolerances according QMS - Design and product specifications subject to change without notice