

Stainless Steel Camera Housing

204 Series

AISI316L Stainless Steel construction
For use in highly corrosive environments
Easy installation and maintenance
Wiper version available
Weatherproof standard IP67
Refined and modern design



■ 204WW140
Housing with sunshield, heater and wiper

■ It's usually hard to find a suitable camera housing for very big cameras. This problem emerges in a tragic way especially when there is the need of an important protection because of an aggressive environment.

The 204 Series is a stainless steel camera housing designed for cameras and similar devices which size is really big and need to be placed in industrial, marine and highly corrosive environments.

These housings diameter is 204 mm, which is among the biggest sizes available on the market, perfect for all the big zoom lenses and related cameras.

The housing, built in AISI316L stainless steel, is made to guarantee protection and reliability in all ambient condition. Further features are easy installation and maintenance tasks and a really competitive price.

Furthermore, we gave particular attention to design an elegant and professional appearance for this housing series.

The 204 Series can be brought with many variations and optionals.

Two lengths are available (500 and 600 mm).

Available accessories and versions:

- Sunshield and thermostatically controlled heater
- Wiper system
- Germanium front windows available for thermal imaging cameras
- A full range of washer tanks (WP and WP-SSC Series)
- SSBK204: wall mounting bracket with swivel joint
- SSPM204: pole mount adapter



■ 204WW120
Housing with sunshield, heater and wiper

Technical Specifications



MODELS

204 ¹	Housing (500mm). UW:145
204-L ¹	Housing (600mm). UW:145
204SH ¹	Housing (500mm) + Sunshield + Heater. UW:145
204SH-L ¹	Housing (600mm) + Sunshield + Heater. UW:145
204WW120 ²	Housing (500mm) + Sunshield + Heater + Wiper. UW:120mm
204WW120-L ²	Housing (600mm) + Sunshield + Heater + Wiper. UW:120mm
204WW140 ²	Housing (500mm) + Sunshield + Heater + Wiper. UW:140mm
204WW140-L ²	Housing (600mm) + Sunshield + Heater + Wiper. UW:140mm
204IR70 ³	Housing (500mm) UW:70. Shutter optional
204IR70-L ³	Housing (600mm) UW:70. Shutter optional
204SHIR70 ³	Housing (500mm)+Sunshield+Heater. UW:70
204SHIR70-L ³	Housing (600mm)+Sunshield+Heater. UW:70
204WWIR70 ³	Housing (500mm) + Sunshield + Heater + Wiper. UW:70mm
204WWIR70-L ³	Housing (600mm) + Sunshield + Heater + Wiper. UW:70mm
204IR110 ³	Housing (500mm) UW:110
204IR110-L ³	Housing (600mm) UW:110
204SHIR110 ³	Housing (500mm)+Sunshield+Heater. UW:110
204SHIR110-L ³	Housing (600mm)+Sunshield+Heater. UW:110
204WWIR110 ³	Housing (500mm) + Sunshield + Heater + Wiper. UW:110mm
204WWIR110-L ³	Housing (600mm) + Sunshield + Heater + Wiper. UW:110mm
204IR145 ³	Housing (500mm) UW:145
204IR145-L ³	Housing (600mm) UW:145
204SHIR145 ³	Housing (500mm)+Sunshield+Heater. UW:145
204SHIR145-L ³	Housing (600mm)+Sunshield+Heater. UW:145

¹ UW=Usable front window diameter; thickness 5mm.
² UW=Usable front window diameter; vandal resistant glass 12mm thickness
³ UW=Usable window diameter; Germanium window, thickness 3 mm, AR/DLC coating.

GENERAL & MECHANICAL

Construction:	AISI316L Stainless Steel
Finish:	Electro-polished
Operating Temperature:	-20° +55°C (-4° +131° F)
Dimensions:	See drawings next page

Weight [kg]		
Model	Unit	Package
204	14	16
204-L	17	19
204SH	13	15
204SH-L	15	17
204WW	15	17
204WW-L	17	19

ELECTRICAL

Thermostatically controlled Heater:

T[°C] ON = 15 ± 4°C, T[°C] OFF = 23 ± 3°C

Available voltages: 24VDC, 24VAC, 110VAC, 240VAC (specified at order)

Power consumption: 20W

Wiper:

Available voltages: 24VDC (4W), 24VAC (8W), 110VAC (8W), 240VAC (8W) (specified at order)

Cable Entry:

4 M20x1,5 nickel plated brass cable glands (included). Standard cable diameter 6-10mm. Different cable entries are available to meet every installation requirement.

CERTIFICATIONS

Weatherproof standard: IP67

CE Compliant

RECOMMENDED MOUNTING ACCESSORIES

SSBK204	AISI316L Stainless Steel wall mounting bracket with swivel joint
SSPM204	AISI316L Stainless Steel Pole Mount adapter

RECOMMENDED SPARE PARTS AND ACCESSORIES

WB204	Complete wiper blade assembly
WBK204	Wiper blade spare part (only rubber blade and support)
HK204	Heater Kit 20W (24VDC, 24VAC, 110 VAC or 240 VAC available)
MK204	Maintenance Kit with O-ring seals, screws seals, screws, hex keys, desiccant bags

RECOMMENDED WASHER PUMPS

A wide range of water reservoirs with different pumping height capabilities is available.

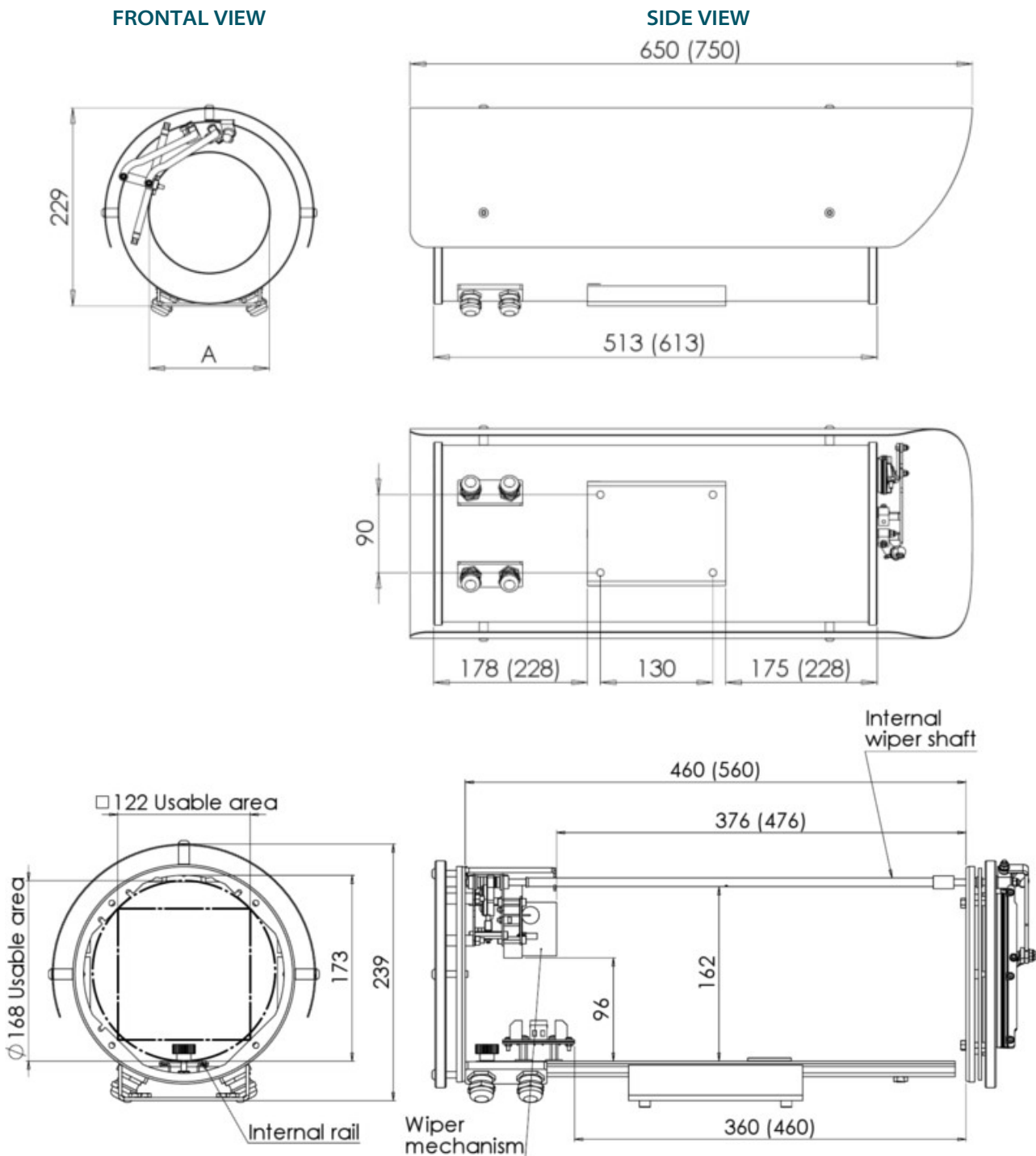
WP Series (tanks with stainless steel frame)

WP5-5m	5 Litres tank, 5 metres delivery head
WP5-10m	5 Litres tank, 10 metres delivery head
WP10-5m	10 Litres tank, 5 metres delivery head
WP10-10m	10 Litres tank, 10 metres delivery head
WP25-5m	25 Litres tank, 5 metres delivery head
WP25-10m	25 Litres tank, 10 metres delivery head
WP25-15m	25 Litres tank, 15 metres delivery head

WP-SSC Series (tanks with stainless steel cabinet)

WP5-10m-SSC	5 Litres tank, 10 metres delivery head
WP10-10m-SSC	10 Litres tank, 10 metres delivery head
WP25-10m-SSC	25 Litres tank, 10 metres delivery head
WP25-15m-SSC	25 Litres tank, 15 metres delivery head

Dimensions



Dimensions in brackets refer to models 204 with 600 mm tube length

Available measures for "A"

- A = **145** mm for 204, 204-L, 204SH and 204SH-L
- A = **120** mm for 204WW120 and 204WW120-L
- A = **140** mm for 204WW140 and 204WW140-L
- A = **70** mm for 204IR70 and 204IR70-L (germanium window)
- A = **110** mm for 204IR110 and 204IR110-L (germanium window)
- A = **145** mm for 204IR145 and 204IR145-L (germanium window)