

AISI316L Stainless Steel construction
For use in highly corrosive environments
Easy installation and maintenance
Liquid cooling system
Weatherproof standard IP67
Refined and modern design

Stainless Steel Liquid Cooled Camera Housing

168LC Series



■ 168LC70 + SSBK168LC
Liquid cooled housing with wall mount bracket

MODELS

168LC70 ¹	Housing (Length=500mm). Usable front window: 70mm
168LC110 ¹	Housing (Length=500mm). Usable front window: 110mm
168LCIRZ70 ²	Housing (500mm) for IR viewings
168LCIRG70 ³	Housing (500mm) for IR viewings

¹ Front window: thickness 5mm, borosilicate glass (Borofloat), with high chemical resistance and low thermal expansion

² Usable front window 70mm; thickness 5mm, Zinc Selenide with AR/AR coating

³ Usable front window 70mm; thickness 3mm, Germanium with AR/DLC coating; recommended environmental temperature not above 100°C

GENERAL & MECHANICAL

Construction: AISI316L Stainless Steel
Finish: Electro-polished
Dimensions: See drawings next page
Weight [kg]: 18 (unit); 20 (package)

Cable Entry:
2 M20x1,5 threaded holes on the rear flange. Cable glands not included.

CERTIFICATIONS

Weatherproof standard: IP67
CE Compliant

- The 168LC (liquid cooled) Series comprises AISI316L stainless steel camera housings designed to protect CCTV cameras in industrial and highly corrosive environments. Every 168LC Series model is formed by two stainless steel tubes close at their ends forming a special chamber that allows water or cooling liquid to cool down the housing.

The front flange is conceived to create an air barrier that cools and protects the front glass from the formation of dust and deposits, especially useful when the housing is located in foundries, near ovens or dusty places. These housings are engineered to ensure the best protection from external agents and to allow an easy installation and maintenance.

Technical Specifications

TEMPERATURE

Ext [°C]	Borosilicate Glass			Zinc Selenide	
	200	300	400	200	300
Int [°C]	23	33	45	23	33
Ext [°F]	392	572	752	392	572
Int [°F]	74	92	113	74	92

Temperature tests with about 6 l/min [1,59 US gal/min] water flow and with about 6 bar air pressure in the front air barrier; Ext = External temperature; Int = Internal temperature

RECOMMENDED MOUNTING ACCESSORIES

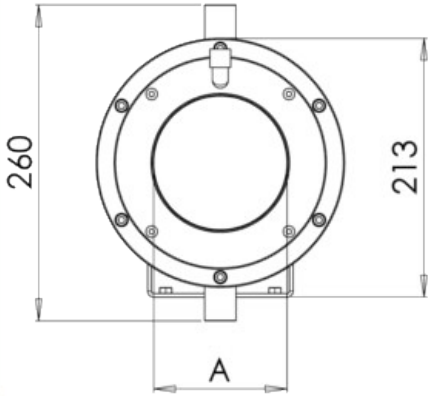
SSBK168LC	AISI316L Stainless Steel wall mounting bracket with swivel joint
SSPM168LC	AISI316L Stainless Steel Pole Mount adapter

RECOMMENDED SPARE PARTS AND ACCESSORIES

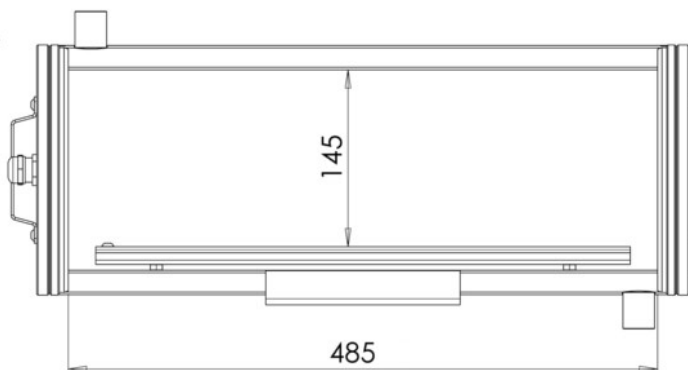
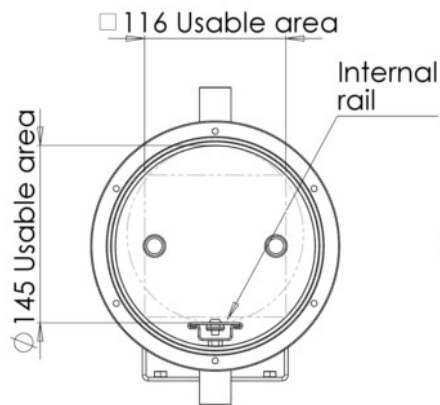
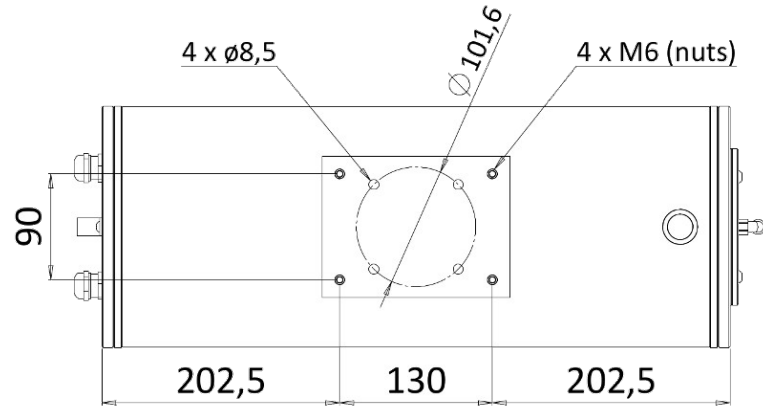
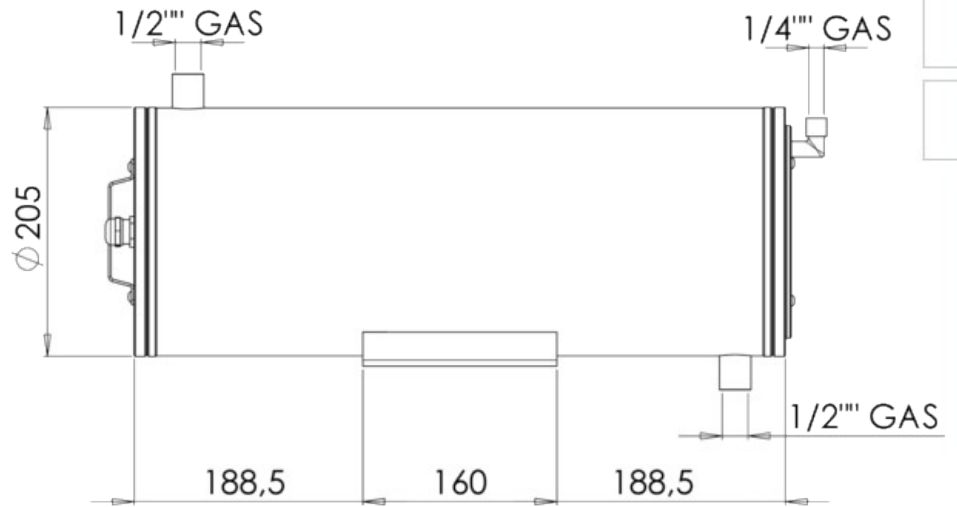
MK168LC	Maintenance Kit with O-ring seals, screws seals, screws, hex keys, desiccant bags
ABFL-01	Air filtering battery 20-5-0.1 micron to be used with air barrier front window flange

Dimensions

FRONTAL VIEW



SIDE VIEW



Available measures for "A"

A = **70** mm for 168LC70

A = **110** mm for 168LC110

A = **70** mm for 168LCIRZ70 (Zinc Selenide window) and 168LCIRG70 (Germanium window)