

Stainless Steel Camera Housing

AISI316L Stainless Steel construction
For use in highly corrosive environments
Easy installation and maintenance
Wiper version available
Weatherproof standard IP67
Refined and modern design

129 Series



■ 129SH
Housing with sunshield and heater

- In outdoor locations, the presence of a corrosive atmosphere can cause rapid deterioration and a premature replacement of the camera and lens if not properly protected. In these areas, a stainless steel camera housing is needed.

The 129 Series camera housing is constructed entirely from AISI316L stainless steel, for use in Industrial and Marine environments and in general where corrosive agents can cause a rapid deterioration of a standard aluminium-steel housing.

Thanks to its competitive price, the 129 Series camera housing can be also used as a substitute for an aluminium housing, where high level quality and refined design are requested.

The housing is engineered to ensure the best protection from external agents and to allow an easy installation and maintenance.



■ 129WW
Housing with sunshield, heater and wiper

The opening of the housing, even when installed, is quick and easy. The outer body can be removed by unscrewing only two screws in the rear flange, while the internal rail, where the camera is mounted, doesn't move from its position, making easier the adjustment of camera and lens.

Two different lengths of the housing are available (360 mm and 460 mm).

Available versions:

- Thermostatically controlled heater;
- Wiper version;
- Germanium front windows available for thermal imaging cameras;
- Liquid cooling system (129LC Series);
- Air cooling system (129AC Series);
- A full range of washer tanks (WP and WP-SSC Series);
- Variable speed Pan & Tilt unit (VSPT250 Series);
- A full range of mounting accessories.

Technical Specifications

MODELS

| | |
|--------------------------|--|
| 129 ¹ | Housing (Length=360mm) |
| 129-L ¹ | Housing (Length=460mm) |
| 129SH ¹ | Housing (360mm)+Sunshield+Heater |
| 129SH-L ¹ | Housing (460mm)+Sunshield+Heater |
| 129WW ² | Housing (360mm)+Sunshield+Heater+Wiper |
| 129WW-L ² | Housing (460mm)+Sunshield+Heater+Wiper |
| 129AB ³ | Housing (360mm)+Front window air barrier. Sunshield+Heater optional |
| 129IR50 ⁴ | Housing (360mm) UW: 50 |
| 129IR50-L ⁴ | Housing (460mm) UW: 50 |
| 129SHIR50 ⁴ | Housing (360mm) UW: 50+Sunshield+Heater |
| 129SHIR50-L ⁴ | Housing (460mm) UW: 50+Sunshield+Heater |
| 129SHIR50-L ⁴ | Housing (460mm) UW: 50+Sunshield+Heater |
| 129SHIR50-L ⁴ | Housing (460mm) UW: 50+Sunshield+Heater |
| 129SHIR50-L ⁴ | Housing (460mm) UW: 50+Sunshield+Heater |
| 129WWIR50 ⁴ | Housing (360mm) UW: 50+Sunshield+Heater+Wiper |
| 129WWIR50-L ⁴ | Housing (460mm) UW: 50+Sunshield+Heater+Wiper |
| 129IR70 ⁵ | Housing (360mm) UW: 70 |
| 129IR70-L ⁵ | Housing (460mm) UW: 70 |
| 129SHIR70 ⁵ | Housing (360mm) UW: 70+Sunshield+Heater |
| 129SHIR70-L ⁵ | Housing (460mm) UW: 70+Sunshield+Heater |
| 129WWIR70 ⁵ | Housing (360mm) UW: 70+Sunshield+Heater+Wiper |
| 129WWIR70-L ⁵ | Housing (460mm) UW: 70+Sunshield+Heater+Wiper |
| 129ABIR70 ⁵ | Housing (360mm) UW: 70+Front window air barrier. Sunshield+Heater optional |

- ¹ Usable front window diameter: 90mm, thickness 5mm.
² Vandal resistant glass 12mm thickness, 72mm diameter.
³ Usable front window diameter: 70mm. Tempered Glass, thickness 5mm.
⁴ UW=Usable window diameter; Germanium window, thickness 2mm, AR/DLC coating.
⁵ UW=Usable window diameter; Germanium window, thickness 3mm, AR/DLC coating.

GENERAL & MECHANICAL

Construction: AISI316L Stainless Steel
Finish: Electro-polished
Operating Temperature: -20° +55°C (-4° +131° F)
Dimensions: See drawings next page

Weight [kg]

| Model | Unit | Package |
|---------|------|---------|
| 129SH | 7 | 8 |
| 129SH-L | 8 | 9 |
| 129WW | 7 | 8 |
| 129WW-L | 8 | 9 |

Cable Entry:

2 M20x1,5 nickel plated brass cable glands (included).
 Standard cable diameter 6-10mm. Different cable entries are available to meet every installation requirement.

ELECTRICAL

Thermostatically controlled Heater:

T[°C] ON = 15 ± 4°C, T[°C] OFF = 23 ± 3°C

Available voltages: 24VDC, 24VAC, 110VAC, 240 VAC (specified at order)

Power consumption: 10W

Wiper:

Available voltages: 24VDC (4W), 24VAC (6W), 110VAC (6W), 240VAC (6W) (specified at order)

CERTIFICATIONS

Weatherproof standard: IP67

CE Compliant

RECOMMENDED MOUNTING ACCESSORIES

| | |
|------------|---|
| SSBK129 | AISI316L Stainless Steel wall mounting bracket with swivel joint |
| SSPM129 | AISI316L Stainless Steel Pole Mount adapter |
| SSPTM129 | AISI316L Stainless Steel Pole Top Mount |
| SSCM129 | AISI316L Stainless Steel Corner Mount adapter |
| SSBK129CLN | AISI316L Stainless Steel ceiling mounting bracket with swivel joint |
| VSPT250 | AISI316L Stainless Steel Pan & Tilt unit, variable speed |

RECOMMENDED SPARE PARTS AND ACCESSORIES

| | |
|---------|---|
| WB129 | Complete wiper blade assembly |
| WBK129 | Wiper blade spare part (only rubber blade and support) |
| ABFL-01 | Air filtering battery 20 – 5 – 0.1 micron to be used with air barrier front window flange |
| HK129 | Heater kit 10W (24VAC/DC, 110 VAC or 240 VAC available) |
| MK129 | Maintenance Kit with O-ring seals, screws seals, screws, hex keys, desiccant bags |

RECOMMENDED WASHER PUMPS

A wide range of water reservoirs with different pumping height capabilities is available.

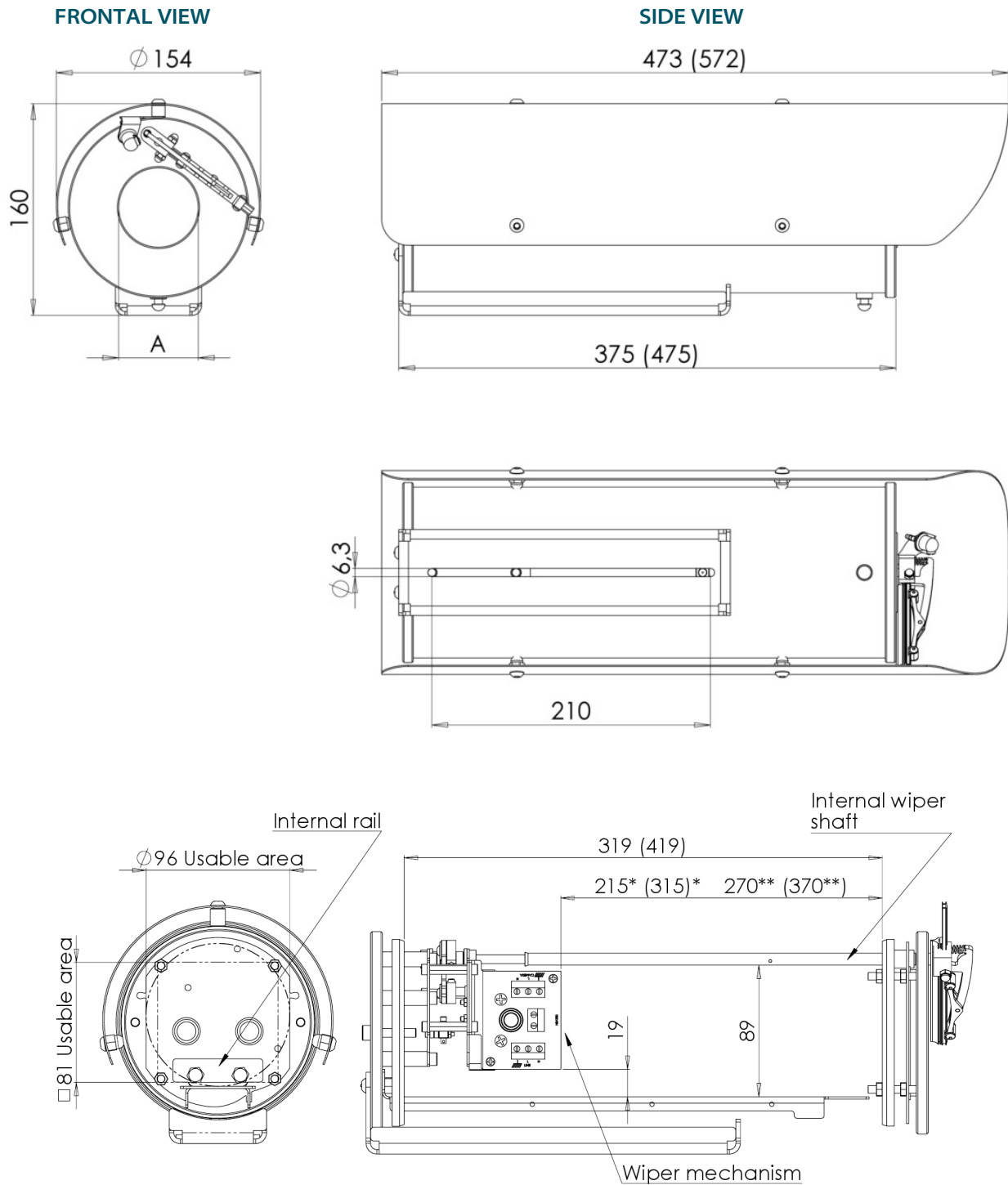
WP Series (tanks with stainless steel frame)

| | |
|----------|---|
| WP5-5m | 5 Litres tank, 5 metres delivery head |
| WP5-10m | 5 Litres tank, 10 metres delivery head |
| WP10-5m | 10 Litres tank, 5 metres delivery head |
| WP10-10m | 10 Litres tank, 10 metres delivery head |
| WP25-5m | 25 Litres tank, 5 metres delivery head |
| WP25-10m | 25 Litres tank, 10 metres delivery head |
| WP25-15m | 25 Litres tank, 15 metres delivery head |

WP-SSC Series (tanks with stainless steel cabinet)

| | |
|--------------|---|
| WP5-10m-SSC | 5 Litres tank, 10 metres delivery head |
| WP10-10m-SSC | 10 Litres tank, 10 metres delivery head |
| WP25-10m-SSC | 25 Litres tank, 10 metres delivery head |
| WP25-15m-SSC | 25 Litres tank, 15 metres delivery head |

Dimensions



Dimensions in brackets refer to models with 460 mm tube length

Available measures for "A"

A = **90** mm for 129, 129-L, 129SH and 129SH-L

A = **72** mm for 129WW and 129WW-L

A = **70** mm for 129AB and 129IR70 models (germanium window)

A = **50** mm for 129IR50 models (germanium window)

* Length measure for models with sunshield, heater and wash wiper

** Length measure for models with sunshield and heater