

AISI316L Stainless Steel construction  
For use in highly corrosive environments  
Easy installation and maintenance  
Liquid cooling system  
Weatherproof standard IP67  
Refined and modern design

## Stainless Steel Liquid Cooled Camera Housing

# 129LC Series



■ 129LC  
Liquid cooled housing

### MODELS

129LC <sup>1</sup>	Housing (Length=360mm)
129LCIRZ70 <sup>2</sup>	Housing (360mm) for IR viewings
129LCIRG70 <sup>3</sup>	Housing (360mm) for IR viewings

<sup>1</sup> Usable front window 70mm; thickness 5mm, borosilicate glass (Borofloat), with high chemical resistance and low thermal expansion

<sup>2</sup> Usable front window 70mm; thickness 5mm, Zinc Selenide with AR/AR coating

<sup>3</sup> Usable front window 70mm; thickness 3mm, Germanium with AR/DLC coating; recommended environmental temperature not above 100° C

### GENERAL & MECHANICAL

**Construction:** AISI316L Stainless Steel  
**Finish:** Electro-polished  
**Dimensions:** See drawings next page  
**Weight [kg]:** 13 (unit); 14 (package)

**Cable Entry:**  
2 M20x1,5 threaded holes on the rear flange. Cable glands not included.

### CERTIFICATIONS

**Weatherproof standard:** IP67  
CE Compliant

Hot and harsh environments require adequate equipment. The 129LC (liquid cooled) Series stainless steel camera housing is designed to protect cameras and optics in the most severe applications. This series is conceived to fit cameras that are too small to need a 168LC series camera housing, but need an extra protection for very hot and dirty places, such as ovens and foundries. The front flange is engineered to have an air barrier, useful both to cooling down and keeping the front window clean. To avoid oil and dust particles and to grant clean air for the barrier, a filter battery is available as optional. The 129LC Series camera housings are made by two AISI316L stainless steel tubes close at their ends in a way that a special chamber that allows water or other cooling liquids to cool down the housing.

## Technical Specifications

### TEMPERATURE

	Borosilicate Glass			Zinc Selenide	
<b>Ext [°C]</b>	200	300	400	200	300
<b>Int [°C]</b>	23	33	45	23	33
<b>Ext [°F]</b>	392	572	752	392	572
<b>Int [°F]</b>	74	92	113	74	92

Temperature tests with about 6 l/min [1,59 US gal/min] water flow and with about 6 bar air pressure in the front air barrier; Ext = External temperature; Int = Internal temperature

### RECOMMENDED MOUNTING ACCESSORIES

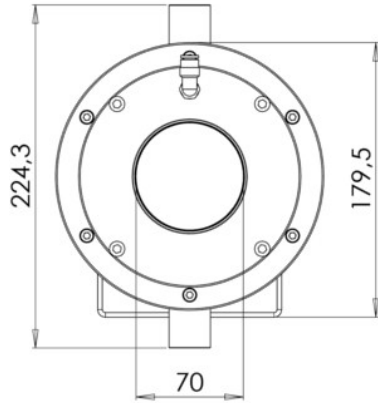
SSBK129LC	AISI316L Stainless Steel wall mounting bracket with swivel joint
SSPM129LC	AISI316L Stainless Steel Pole Mount adapter

### RECOMMENDED SPARE PARTS AND ACCESSORIES

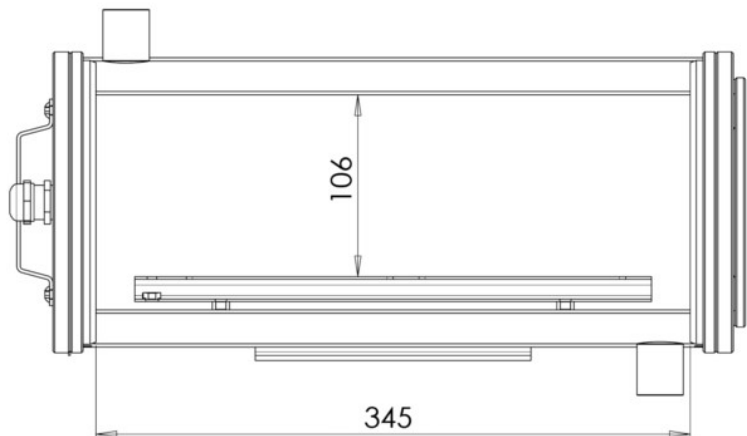
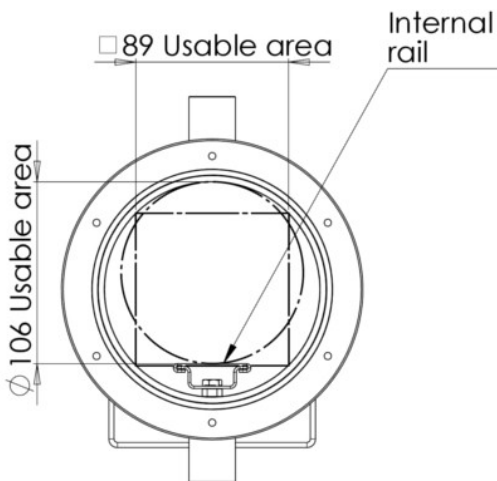
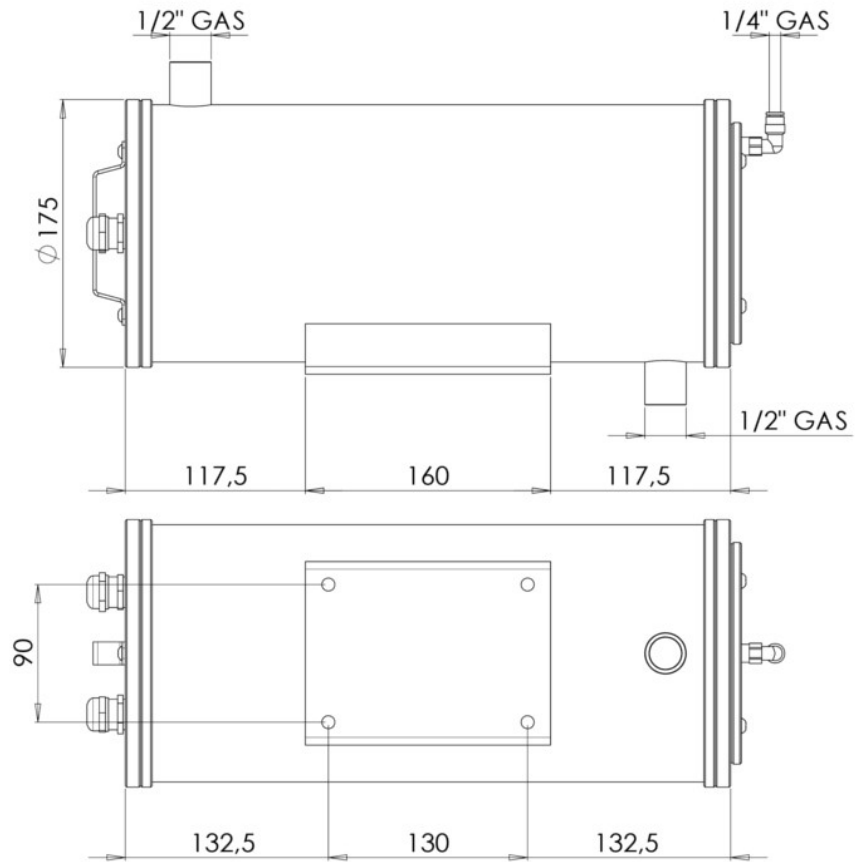
MK129LC	Maintenance Kit with O-ring seals, screws seals, screws, hex keys, desiccant bags
ABFL-01	Air filtering battery 20-5-0.1 micron to be used with air barrier front window flange

# Dimensions

**FRONTAL VIEW**



**SIDE VIEW**



Dimensions in millimeters - Tolerances according QMS - Design and product specifications subject to change without notice