

Stainless Steel Air Cooled Camera Housing

# 129AC Series

AISI316L Stainless Steel construction  
For use in highly corrosive environments  
Easy installation and maintenance  
Air Cooling system  
Weatherproof standard IP67  
Refined and modern design



■ 129AC+SSBK129  
Air Cooled Housing and Wall Mounting Bracket

- The **129AC Series** is well suited to protect CCTV equipment in hot and corrosive environments, where standard aluminium/plastic camera housing would be rapidly damaged by heat and corrosive agents, especially in Industrial indoor installations.

The enclosure is entirely made in AISI316L stainless steel.

The **129AC Series** perfectly fits the gap between very hot installations which require a liquid cooled camera housing and standard installations which don't need any cooling system.

The internal part of the camera housing is cooled using a Vortex tube, while the front glass can be cooled via a air nozzle (available as an optional).

Two different lengths of the housing are available (360 mm and 460 mm).

## MODELS

<b>129AC*</b>	Housing (Length=360 mm)
<b>129AC-L*</b>	Housing (Length=460 mm)
<b>129ACIR70**</b>	Housing (Length=360 mm)
<b>129ACIR70-L**</b>	Housing (Length=460 mm)

\* Usable front window diameter: 70 mm; Borosilicate window, thickness 5 mm.

\*\* Usable front window diameter: 70 mm; Germanium window, thickness 3 mm AR/DLC coating.

*Air nozzle is available as an optional for all the models*

## GENERAL & MECHANICAL

**Construction:** AISI316L Stainless Steel  
**Finish:** Electro-polished

**Weight [kg]**

Model	Unit	Package
129AC	6	7
129AC-L	6,5	7,5

### Cable Entry:

2 M20x1,5 nickel plated brass cable glands (included).  
Standard cable diameter 6-10mm, upon request cable diameter 8-12mm. Different cable entries are available to meet every installation requirement.

## TECHNICAL SPECIFICATIONS

### CERTIFICATIONS

**Weatherproof standard:** IP67  
CE Compliant

### RECOMMENDED MOUNTING ACCESSORIES

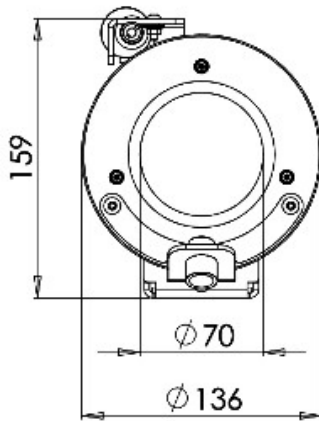
<b>SSBK129AC</b>	Wall Mounting Bracket with Swivel Joint
<b>SSCM129AC</b>	Corner Mount Adaptor
<b>SSPM129AC</b>	Pole Mount Adaptor

### RECOMMENDED SPARE PARTS AND ACCESSORIES

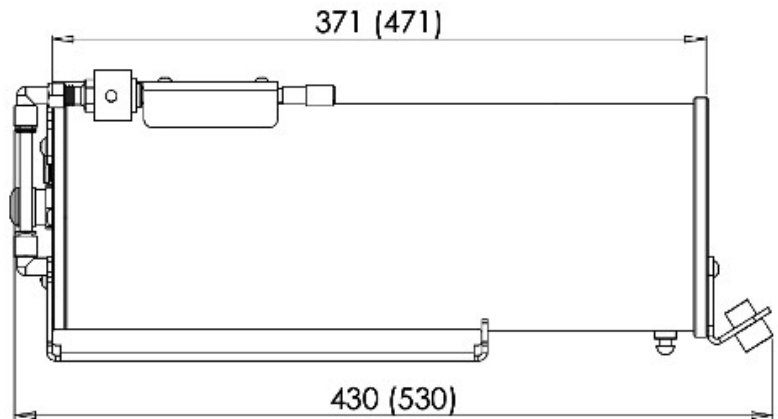
<b>ABFL-01</b>	Air filtering battery 20 – 5 – 0.1 micron to be used with air barrier front window flange
<b>MK129AC</b>	Maintenance Kit with O-ring seals, screws seals, screws, desiccant

# Dimensions

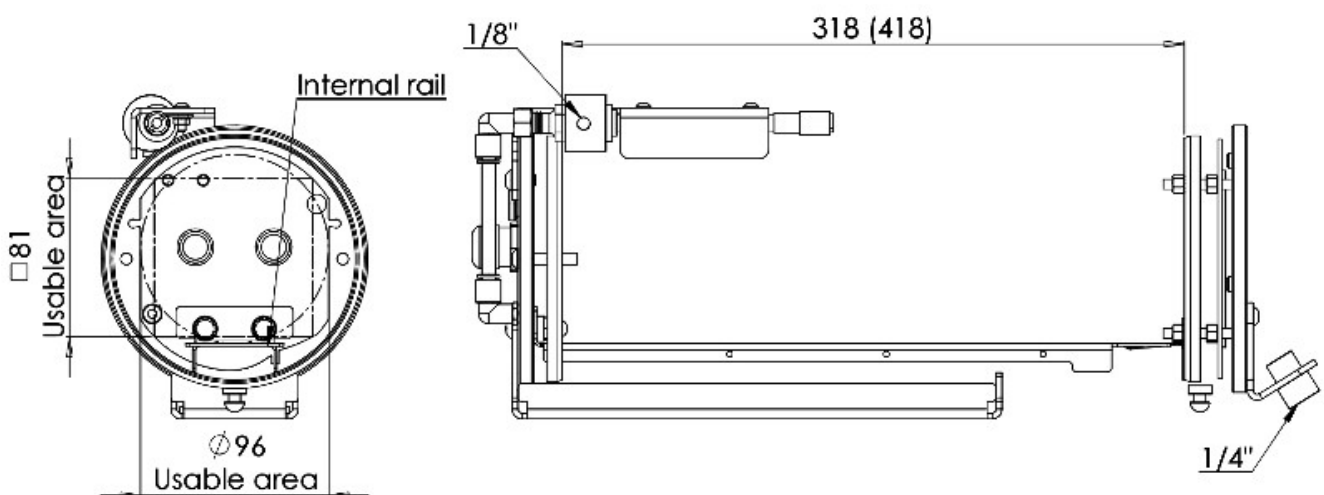
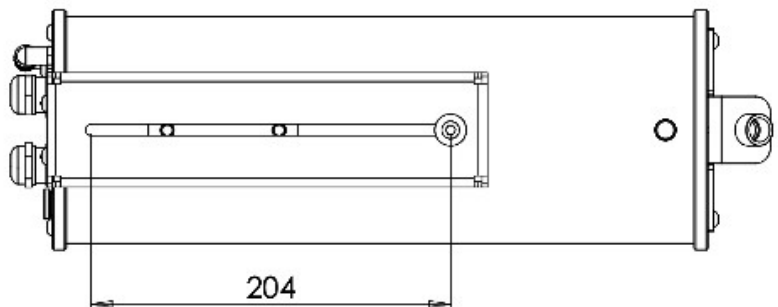
**FRONTAL VIEW**



**SIDE VIEW**



**BOTTOM VIEW**



Dimensions in brackets refer to models 129AC-L models

Dimensions in millimeters - Tolerances according QMS - Design and product specifications subject to change without notice