



## Stainless Steel Camera Housing

# 101 Series

AISI316L Stainless Steel construction  
For use in highly corrosive environments  
Ideal for compact size cameras  
Easy installation and maintenance  
Weatherproof standard IP67  
Refined and modern design



■ 101W  
Housing with sunshield and wall mounting bracket

- The 101 Series Stainless Steel Camera housing has been designed to protect compact size cameras installed in highly aggressive environments such as: Marine (boats, offshore plants, harbours, coast surveillance, etc.), Industrial (Machinery control, vision systems, etc.), Chemical plants, Food industry, and in general every location where a high quality and high reliable product, together with a modern designed and a low aesthetic impact, is requested.

The housing consists of a 101 mm diameter stainless steel tube and two screwed-in caps. The front cap mounts a 75 mm diameter window while the rear cap is equipped with a M20x1,5 cable gland. In spite of its small external size, the housing with its spacious interior, due to its innovative design, can accommodate standard cameras and lenses.



■ 101C  
Housing with sunshield and ceiling mounting bracket

The 101 Series enclosure is made in AISI316L stainless steel and with its compact size and refined design is the ideal solution to protect cameras installed in boats and vessels. High resistance to corrosive and dirty environments makes this housing the good choice for cameras installed inside industrial machinery as well as for vision systems, where small camera housings are needed.

The housing is available with both wall mounting bracket and ceiling mounting bracket to meet every installation requirements. Two lengths of the housing are available: 120 mm and 200 mm. Sunshield and thermostatically controlled heater included.

# Technical Specifications

## MODELS

101W <sup>1</sup>	Housing (Length=120mm) + wall bracket
101W-L <sup>1</sup>	Housing (200mm) + wall bracket
101C <sup>1</sup>	Housing (120mm) + ceiling bracket
101C-L <sup>1</sup>	Housing (200mm) + ceiling bracket
101WIR50 <sup>2</sup>	Housing (120mm) + wall bracket
101WIR50-L <sup>2</sup>	Housing (200mm) + wall bracket
101CIR50 <sup>2</sup>	Housing (120mm) + ceiling bracket
101CIR50-L <sup>2</sup>	Housing (200mm) + ceiling bracket
101WIR70 <sup>3</sup>	Housing (120mm) + wall bracket
101WIR70-L <sup>3</sup>	Housing (200mm) + wall bracket
101CIR70 <sup>3</sup>	Housing (120mm) + ceiling bracket
101CIR70-L <sup>3</sup>	Housing (200mm) + ceiling bracket

Sunshield and thermostatically controlled heater included

<sup>1</sup> Usable front window diameter: 73mm. Tempered Glass, thickness 5mm.

<sup>2</sup> Usable front window diameter: 50mm. Germanium window, thickness 2mm, AR/DLC coating.

<sup>3</sup> Usable front window diameter: 70mm. Germanium window, thickness 3mm, AR/DLC coating.

## GENERAL & MECHANICAL

**Construction:** AISI316L Stainless Steel  
**Finish:** Electro-polished  
**Operating Temperature:** -20 +55° C (-4° +131° F)  
**Dimensions:** See drawings next page

### Weight [kg]

Model	Unit	Package
101W with wall bracket	5	6
101C with ceiling bracket	5	6
101-L with wall bracket	6	7
101-L with ceiling bracket	6	7

## MECHANICAL

**Cable Entry:**  
 1 M20x1,5 nickel plated brass cable gland (included).  
 Standard cable diameter 6-10 mm, different cable entries are available to meet every installation requirement.

## ELECTRICAL

### Thermostatically controlled Heater:

**T[°C] ON = 15 ± 4°C, T[°C] OFF = 23 ± 3°C**

Available voltages: 24VDC, 24VAC, 110VAC, 240VAC (specified at order)

Power consumption: 8W

## CERTIFICATIONS

**Weatherproof standard:** IP67

CE Compliant

## RECOMMENDED SPARE PARTS AND ACCESSORIES

MK101	Maintenance Kit with O-ring seals, screws seals, screws, hex keys, desiccant bags
HK101	Heater Kit 8W ( 24VDC, 24VAC, 110VAC or 240VAC available)

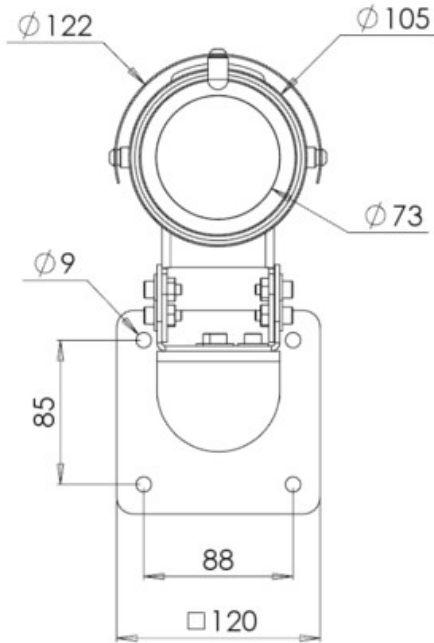
## RECOMMENDED MOUNTING ACCESSORIES

SSPM101	AISI316L Stainless Steel Pole Mount adapter
SSCM101	AISI316L Stainless Steel Corner Mount adapter
VSPT250	AISI316L Stainless Steel Pan & Tilt unit, variable speed

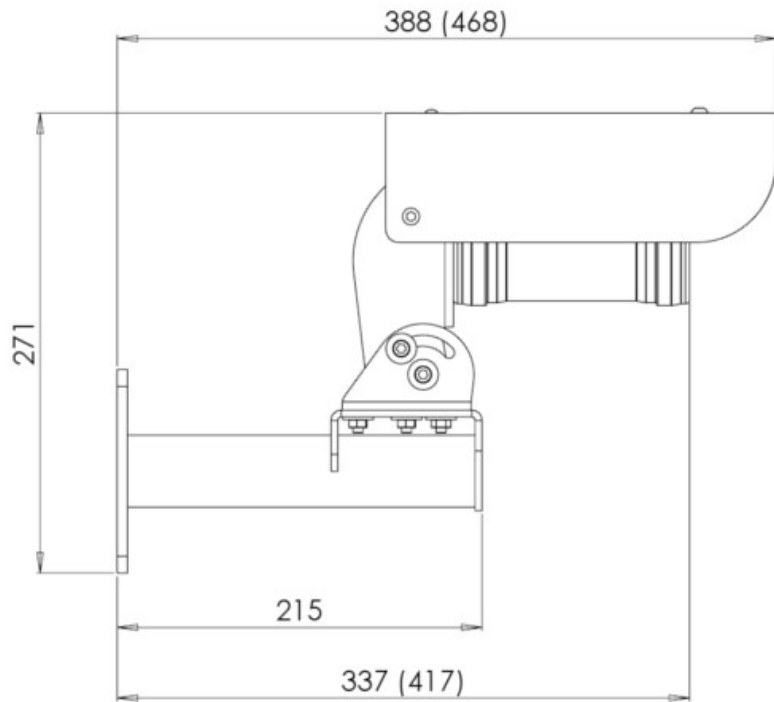


# Dimensions

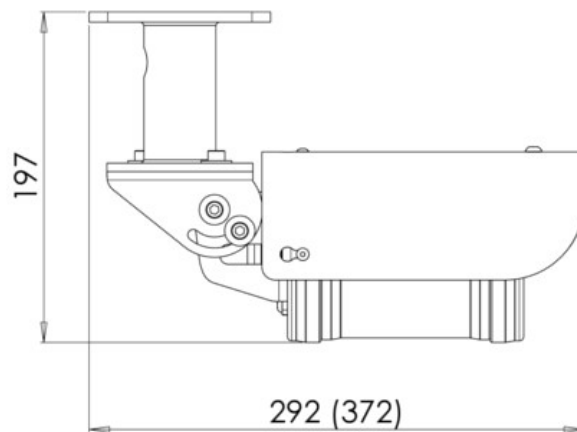
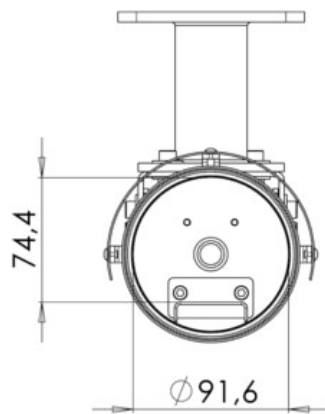
**FRONTAL VIEW**



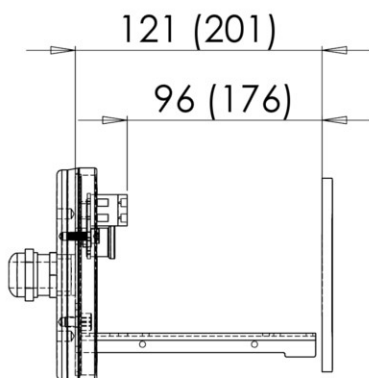
**SIDE VIEW**



101W: Housing with wall mounting bracket (dimensions in brackets refer to model 101W-L)



101C: Housing with ceiling mounting bracket (dimensions in brackets refer to model 101C-L)



Internal dimensions