



Networkable access control unit

A versatile, networkable access control unit, eXcel² is an extremely cost effective solution to the access control and integrated security requirements of today. It features supervised inputs and relays making it suitable for monitoring and signalling alarm conditions or for integration with intruder alarm and building management systems.

Features of the eXcel² unit

- 24000 card capacity
- 2 reader, 1 or 2 door controller
- Main reader output formats supported
- Dual isolated linear power supplies with back-up battery capability
- Additional inputs and relays for monitoring and controlling other equipment
- Anti-passback
- Integral tamper switch
- Compatible with eXguard eXpress and eXguard PRO software



Benefits of eXcel² controller

- 3 year warranty
- Ample space inside allow for easy installation
- Installer friendly features such as cable screen spring reduces installation time
- Simple to commission
- Operates in stand-alone mode in the event of lost communications; system integrity is maintained
- Full functionality is maintained during parameter upload resulting in disruption-free operation
- Up to 6 spare inputs and 3 spare outputs

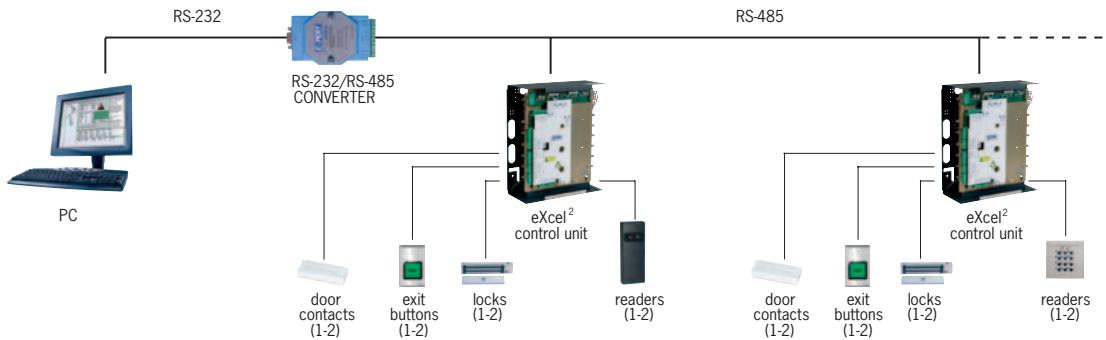
eXcel²



w: tdsi.co.uk
e: sales@tdsi.co.uk
t: +44(0)1202 666222



Networkable access control unit



Technical Data

Dimensions	380 x 320 x 140 mm
Weight	7.2 kg
Operating environment	-5°C to +45°C, 0 to 95%RH (non-condensing)
Power supply	Input: 220 to 240 VAC, 80VA Output: 12 VDC, 2 x 1A
Max cards	24000
Readers	Maximum of 2 using the majority of reader, keypad and biometric technologies including TDSi Microcard, eXprox, Optica® and those with standard clock & data, Wiegand and HID standard 37-bit (H10302) output formats
Doors	1 or 2
Inputs	8 in total; 2 used per installed door, the remaining spare inputs for monitoring other equipment
Outputs	4 changeover relay outputs (30V, 2A contact rating) in total; 1 used per door for lock strike, the remaining spare outputs for controlling other equipment
Communications ports	RS-232, RS-485

Ordering Information

Part Number:	Product Description:
5002-3082	eXcel² 2 door access control unit

eXcel²



Q05134