

# indoor/outdoor dome IR IP camera



## Standard mini dome IP H.264 camera with IR illumination

Contains high quality CCD sensor for low light level conditions. The camera includes TDSI's Video Analytic solution as standard.

# indoor/outdoor dome IR IP camera

DS0098\_Issue 1

## SPECIFICATIONS

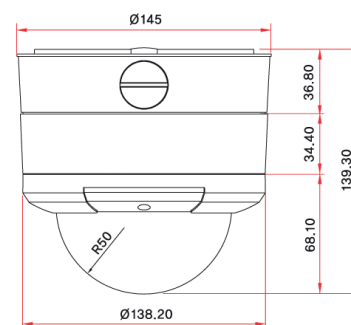
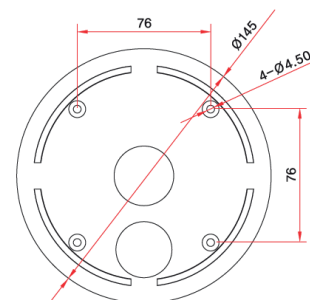
TDSi Part No.	5012-0325
<b>Camera Module</b>	
Image Sensor	1/3" SONY Super HAD II CCD
Effective Pixels	768 x 494 (NTSC) / 752 x 582 (PAL)
Scanning System	2 : 1 Interlace
Horizontal Resolution	540 TVL
S/N Ratio	52dB (AGC Off)
Minimum Illumination	0.14 Lux (F1.2, 30IRE)
Lens	3.3~12 mm F1.2 DC Auto Iris Board Vari-Focal
IR LEDs	30 IR LEDs
IR Range	20M
Day & Night	IR Cut Filter Remove
<b>Video</b>	
Compression Format	H.264, MPEG-4, MJPEG
Number of Streams	Dual Stream, Configurable
Resolution	D1, CIF, QCIF
Compression FPS	25/30 fps@D1
Deinterlacing	Optional (On / Off)
Motion Detection	Built-in (DSP)
Burnt-in Text	Video stream overlay text (DSP)
Analog Output	1 Loop Out, Molex Connector Inside
<b>Audio</b>	
Input	1 channel
Output	1 channel
Compression Format	G.711
<b>Function</b>	
Digital Input	1
Digital Output	1
Serial port	RS485
Network	10 / 100 Base-T
Protocol	TCP/IP, UDP/IP, HTTP, RTSP, RTCP, RTP/UDP, RTP/TCP, SNMP, mDNS, UPnP, SMTP, SOCK, IGMP, DHCP, DDNS, SSL v2/v3, IEEE 802.1X, SSH
SD Memory	Optional, microSD up to 8GB
<b>Electrical</b>	
Power Source	12V DC, 24V AC (Optional)
Power over Ethernet	Support (IEEE 802.3af, Optional)
Power Consumption (Approx)	700 mA @ +12V (IR ON)
<b>Environmental</b>	
Operating Temperature	0°C ~ 50°C (32°F ~ 122°F)
Operating Humidity	Up to 85% RH, Non-condensing
<b>Mechanical</b>	
Material	Polycarbonate
Color	White
Dimension	145(W) x 100(D) mm
Weight (Approx)	1,500 g
<b>Primary Intelligent Video Analytics (Included as Standard)</b>	
High Performance	Advanced Tracking Algorithm. Low False Alarm Rate
Easy to Use	Intuitive Web Browser Interface
Detection Zones	Multi-segment Polygons and Lines
On-screen Display	Real-time Display of Tracking Data and Events
Camera Shake Cancellation	Improve the VCA performance with cameras that are prone to shake
Tamper Detection	Detect camera tampering
<b>Advanced Intelligent Video Analytics (Option)</b>	
Detection Behavior	Direction, Stopping, Loitering, Entering, Exiting, Appear, and Disappear Filters, Abandoned/Removed Object Detection, Tailgating Detection
3D Behavior	Perspective Corrected Size and Speed Filters
Statistics	Counting Functions and Other Statistics
Meta Data	Binary XML Format
<b>Image Stabilization (Option)</b>	
Electronic Stabilization	Removes Camera Sway

## FEATURES & BENEFITS

- H.264 D1 25/30 FPS
- 30 IR LEDs, IR Range 20M
- Video Compression: H.264, MPEG-4, MJPEG
- Dual Stream
- Enhanced Deinterlacing on DSP
- Embedded Intelligent Video Analytics
- Burnt-in Text, Video Motion Detection Support
- 2-way Audio
- microSD Memory Support
- Included fan and heater (heater is an option)
- IP66 Support
- Remote Firmware Upgrade over the network
- Comprehensive SDK Support

## ORDERING INFORMATION

Part Number: 5012-0325



**TDSi UK**  
 Unit 10 Concept Park,  
 Innovation Close,  
 Poole,  
 Dorset BH12 4QT  
 United Kingdom  
 t: +44 (0)1202 723535  
 f: +44 (0)1202 724975  
 e: sales@tdsi.co.uk

**TDSi France**  
 Immeuble ATRIA,  
 2 rue du Centre  
 93160 NOISY LE GRAND,  
 France  
 t: +33 (0)1 58 84 20 90  
 f: +33 (0)1 58 84 20 91  
 e: infos@tdsi-france.com

**TDSi China**  
 Rm 103, 1 Bld,  
 Shangsha Innovation Science  
 & Technology Park,  
 9283 Binhai Road,  
 Futian District,  
 Shenzhen 518048,  
 P.R.China  
 t: 86-755-82535725,  
 82535720  
 f: 86-755-82535770  
 e: tdsiinfo@microgarde.com.cn