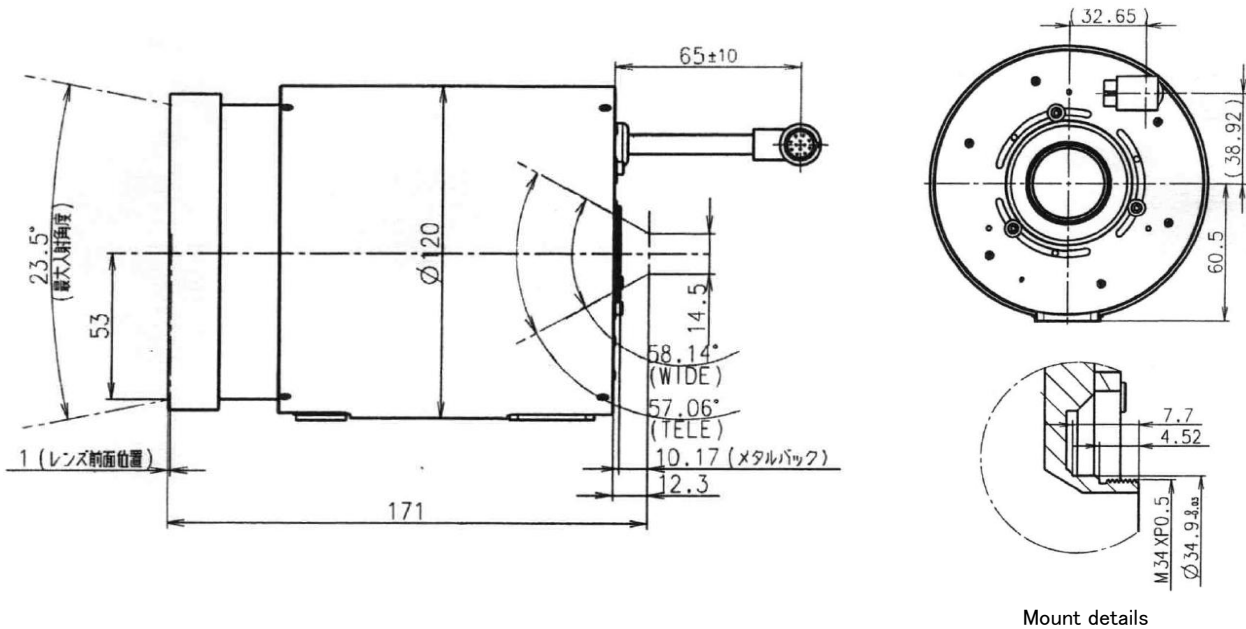


LQZ3X3510V (35-105mm, F/1.0)



Mount details

		Imager Size	VGA(640 × 512) 17μm	QVGA(320 × 240) 23.5μm
Spectral Wave Length		8~14μm		
Focal Length		35-105mm		
F Number		F/1.0		
Zoom Ratio		3X		
Flange Back Focal Distance		10.17mm(Barrel rear edge to image plane)		
Back Focal Distance (in air)		WIDE: 33.04mm TELE: 30.84mm		
Effective Image Circle Dia.		≥φ 14.5mm		
FOV(H)		WIDE : 17.95° / TELE : 5.9°		WIDE : 12.36° / TELE : 4.10°
Focusing System		Internal focusing system		
MOD (Minimum Object Distance)		WIDE : 2.0m / TELE : 5.0m		
Max. Object Distance (Detection)		WIDE : 1013m / TELE : 3083m (Note1)		WIDE : 740m / TELE : 2232m (Note1)
Mechanical	Max. Barrel Dia. x Length	φ 120mm x 161mm		
	Weight	1725g		
	Optical Image Stabilization	YES		
	Optical Zoom	Motorized		
	Focus Control	Motorized		
	Active Athermalization	YES		
	Mount	threaded, M34xP0.5		
Electronic /Electric	Power Supply	For Logic Board	+3.3V	
		For Motor Drive	+5.0V	
	Power Consumption	≤1.0A		
	Communication	SPI interface *Conversion to Serial communication is available by using an optional accessory board.		
Reliability	Operating Temp. (Performance)	-10°C~+50°C (no condensation)		
	Operating Temp. (Function)	-20°C~+60°C (no condensation)		
	Operating Humidity	20~90%RH (no condensation)		
	Water & Dust Proof	N/A		
	Front Element Coating	AR coating		

(Note 1) The max. object distance (detection) is a theoretical value calculated for seeing human sized objects based on Johnson's criteria. It is not an actual measured value.

* Product specification are subject to change without notice.

* Custom-made lenses are available according to customers' requested design /manufacturing specifications. Please feel free to inquire.

TAMRON[®]

SD006B0200-00